



Terreon® Wall-Hung Tri-Fount™ Washfountains

- cUPC Certified
- Serves One to Three Users at a Time
- Unique, Repairable, Solid Surface Material
- Highly Vandal Resistant
- Saves Water, Energy and Space
- ADA/TAS Compliant
- Available with Air Metering, Infrared, TouchTime®, or Battery Infrared Control

Specifications

Size and Capacity

Accommodates 1-3 users at a time, using less water, energy and space than three lavs equipped with conventional faucets. The pre-assembled sprayhead module is equipped with three independent streamformers, each controlled by a separate push button or infrared sensor.

Flow Control/Rate

Operating water pressure range is 20–80 psi. Flow regulators keep flow rate constant at all pressures. A flow restrictor keeps the flow rate at constant a .5 GPM under any pressure.

Construction

Bowl and Pedestal

Constructed of Terreon®, a densified solid surface material composed of polyester resin, or Terreon®RE, a densified solid surface material composed of a bio-based resin and preconsumer recycled granules. Terreon and TerreonRE are resistant to chemicals, stains, burns and impact. Surface damage can be easily repaired with everyday cleansers or fine grit abrasives. Terreon and TerreonRE are Home Innovation Lab certified to meet CSA B45.5/IAPMO Z124. Terreon and TerreonRE are GREENGUARD® certified as low-emitting materials. Front access panel constructed of heavy gauge type 304 stainless steel.

Vandal Resistance

The molded sprayhead is an integral element of the bowl module. All streamformers, escutcheons and push buttons/ infrared sensors are secured to the unit from inside the sprayhead module. All valves, water supplies and waste connections are concealed inside the pedestal. The front access panel is removable only with a hex key. To provide maximum vandal resistance, the wall must be structurally reinforced to adequately support the fixture. The Terreon and TerreonRE bowls are resistant to stains, burns and impact. Surface damage is easily repaired and repair work is virtually undetectable.

Standard Equipment

Valves and Fittings

In addition to the bowl and pedestal, the following valves and fittings are standard: Navigator® thermostatic mixing valve, stop valves, drain spud, flexible stainless steel supply hoses and locknut. Stop valves mount onto 1/2" nominal copper tubing.

Activation Controls

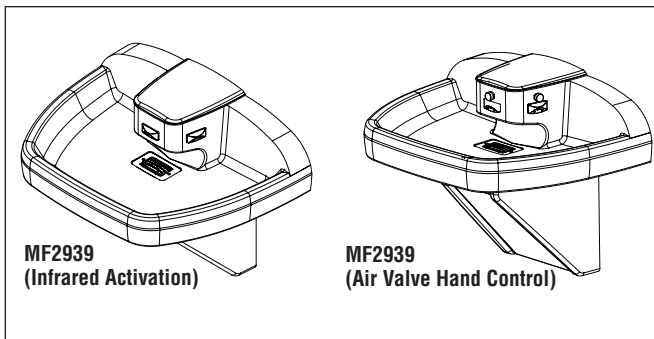
Air Valve Hand Control

Each push button pneumatically actuates a non-hold-open, air metering, single-temperature valve with field adjustable timing from 0–45 seconds. Factory preset at 10 seconds. Each push button activates a flow of tempered water from the non-sectional sprayhead. Push button requires less than five pounds of pressure.

Infrared Sensor §

Each of the stream formers is controlled by a separate solenoid valve. Hands placed within the bowl are detected by an infrared sensor which activates a flow of tempered water from one station. Shut-off is automatic after hands are removed from the detection area. The infrared sensor uses a conical-shaped transmitting beam, having a detection area adapted to, but not exceeding, the bowl perimeter. The adaptive infrared sensor automatically adapts to the bowl after power is turned on. The infrared sensor is not affected by varying color tones or darkness. Direct sunlight or bright washroom lights will not activate the system. Infrared models also include solenoid valves and a low-voltage transformer as standard equipment:

- Solenoid – 24V, 50/60 Hz, 5/16" tube fitting. Few moving parts, and resistant to most chemicals, minerals, and impurities often present in municipal water supplies.
- Low-Voltage Transformer – Class II UL/CSA listed, 110/24 VAC plug-in transformer. Plugs into a standard GFCI protected electrical outlet. Location of transformer per local electrical code.



Battery Infrared Sensor

Each battery-powered sensor uses a zone-focused infrared transmitting beam, creating a large detection area not exceeding the bowl perimeter. The sensor is not affected by varying skin tones or darkness. When hands enter the detection area, the sensor starts water flow by opening the solenoid valve electronically. When hands leave the detection area, the sensor stops the flow of water by closing the valve. The 6-volt DC electronically activated solenoid valve has few moving parts, providing reliable operation that is unaffected by most chemicals and minerals often present in municipal water supplies. Each station is powered by a single lithium battery. Battery type is Duracell® DL 223A or equivalent (included). Battery type is Duracell® DL 223A 6 volt lithium or equivalent with a life expectancy of 4-5 years or approximately 200,000 cycles.

TouchTime Hand Control §

Each low-voltage button actuates a non-hold-open, slow-closing anti-hammer solenoid valve that is timed from an electronic potted assembly. Each push button activates a flow of tempered water from the non-sectional sprayhead. TouchTime controls water flow at each station through the use of solid state, digital circuitry. Timing is electronically controlled at 15 seconds. Push button requires less than five pounds of pressure.

§ Please visit www.bradleycorp.com/dc for important information regarding a regulatory requirement to convert Bradley's TT and IR activations from AC to DC starting in late 2016.

Code Compliance and Certifications

ANSI Standards


Terreon and TerreonRE are certified by Home Innovation Lab to meet CSA B45.5/IAPMO Z124.

cUPC Approval

Terreon Washfountains are Uniform Plumbing Code (UPC), International Plumbing Code (IPC) and National Plumbing Code of Canada (NPC) approved through the International Association of Plumbing and Mechanical Officials (IAPMO). Manufactured in compliance with IGC 156-2009, CSA B45 Series-2002 (R08) & ASME A112.18.1-2005/CSA B125.1-2005.

Barrier-Free

The Terreon and TerreonRE Wall-Hung Tri-Founts™ are designed to comply with the most current ADA and TAS guidelines on reaches, clearances and operation when mounted at recommended height dimensions by the installer.

 Standard product selections contained within this document are third party **CERTIFIED** to NSF/ANSI 372 meeting the Lead-Free content requirement. Any product configured with custom options will be **COMPLIANT** with NSF/ANSI 372 meeting the Lead-Free content requirement.





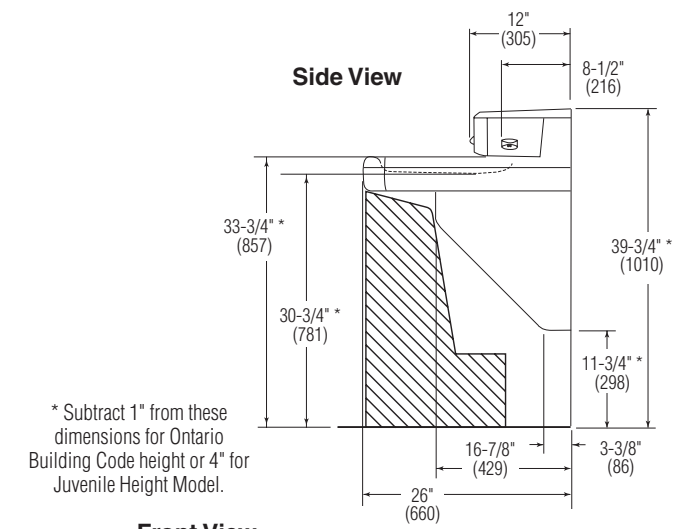
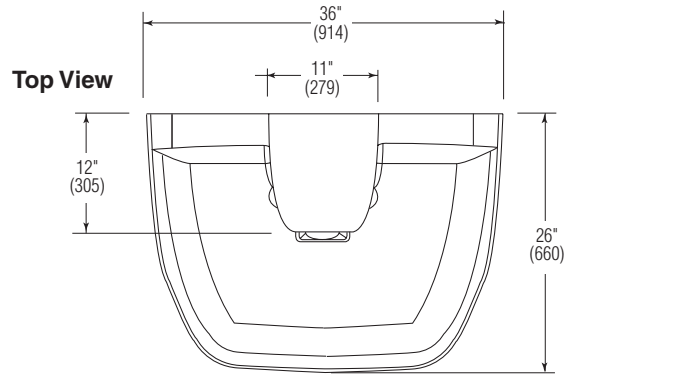
MF2939

Terreon® Wall-Hung Tri-Fount™ Washfountains

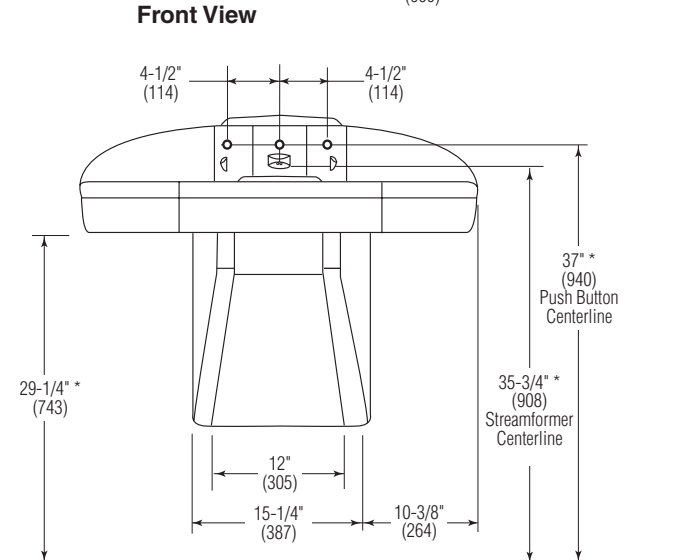
Standard Selections (Must select one from each category)			
Pedestal Height (select one)			
<input type="checkbox"/> STD/JUV	Standard Height or Juvenile Height		
<input type="checkbox"/> OBC	Ontario Building Code Height		
Valves (select one)			
<input type="checkbox"/> IR	Adaptive Infrared §	<input type="checkbox"/> BIR3	Battery Infrared
<input type="checkbox"/> AST	Air Metering	<input type="checkbox"/> TT	Touchtime® Metering §
Soap Dispenser (select one)			
<input type="checkbox"/> LSD	Liquid Soap Dispenser	<input type="checkbox"/> NSD	No Soap Dispenser
Color of Terreon Bowl (select one)			
<i>Standard Colors</i>			
<input type="checkbox"/> CHAR	Charcoal Gray ‡	<input type="checkbox"/> O-TAUPE	Organic Taupe
<input type="checkbox"/> COBBLE	Cobblestone	<input type="checkbox"/> PEBBLE	Pebble Beach
<input type="checkbox"/> DRIFT	Driftwood †	<input type="checkbox"/> PEP-WHT	Peppered White
<input type="checkbox"/> DUNE	Sand Dune †	<input type="checkbox"/> SAND	Sandtrap
<input type="checkbox"/> E-GRAY	Empire Gray	<input type="checkbox"/> S-CREEK	Stone Creek
<input type="checkbox"/> GRAPH	Graphite ‡	<input type="checkbox"/> S-MIST	Silver Mist
<input type="checkbox"/> LANNON	Lannonstone	<input type="checkbox"/> WHT-SAND	White Sand
<input type="checkbox"/> LONDON	London Gray		
<input type="checkbox"/> MOONSTONE	Moonstone †		
<i>Designer Colors** (available at an additional charge)</i>			
<input type="checkbox"/> ARC-CHIP	Arctic Chip	<input type="checkbox"/> RIVER	Riverstone
<input type="checkbox"/> COFFEE	Coffee Bean		
<i>TerreonRE Colors** (available at an additional charge)</i>			
<input type="checkbox"/> BIRCH-BARK	Birch Bark	<input type="checkbox"/> MOONDUST	Moondust
<input type="checkbox"/> DUSK	Dusk	<input type="checkbox"/> OAT	Oat
Supply (select one)			
<input type="checkbox"/> TL	Single tempered Line		
<input type="checkbox"/> TMA	Navigator® Thermostatic Mixing Assembly (Hot & Cold Supplies)		

**Non-cancellable, non-returnable.
 †This color contains large, randomly distributed chips.
 ‡Requires tempered supply (less than 110°F) or optional TMA
 § Please visit www.bradleycorp.com/dc for important information regarding a regulatory requirement to convert Bradley's TT and IR activations from AC to DC starting in late 2016.

Dimensions (mm)



* Subtract 1" from these dimensions for Ontario Building Code height or 4" for Juvenile Height Model.

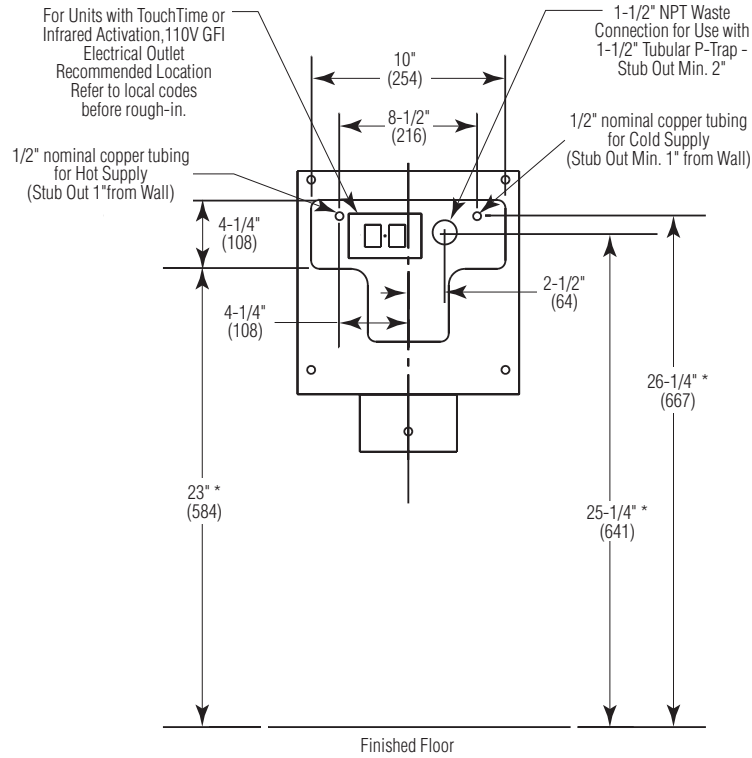




Rough-Ins

(mm)

Wall and Mounting Frame Opening



* Subtract 1" from these dimensions for Ontario Building Code height or 4" for Juvenile Height Model.

Wall Anchor Locations

