

- ADA and TAS Compliant
- Serves One or Two Users at a Time
- Standard Lavatory Spacing on 30" Centers
- Elongated Basin is Constructed of Evero™ Natural Quartz Material
- Select a Bradley Faucet or faucet by others
- Available in 15 Evero Natural Quartz Material Colors

Specifications

Accommodates one or two users. The units handle washroom traffic quickly and economically, while providing each user with personal space. The Verge® Lavatory System is designed with standard lavatory spacing positioned on 30" centers.

Construction

Bowl

Evero Natural Quartz, a Bradley exclusive material that is specially formulated to allow for moldable and contoured shapes, is made from a blend of acrylic modified bio-based polyester resin, natural quartz, granite, and other exotic minerals.

- Variations in the natural stone (quartz) color, pattern, size, shape and shade are inherent and unique characteristics to be expected with this product.

Pedestal

Panel is composed of decorative 300 series stainless steel.

Support Frame

Bowl assembly and pedestal panel are secured to a heavy gauge stainless steel support frame mounted to wall.

Vandal Resistance

Water supplies, valves, waste assembly and other optional items are concealed within the pedestal/frame.

Code Compliance and Certifications

ANSI Standards

Evero Natural Quartz Material meets the requirements of ANSI Z124.3.

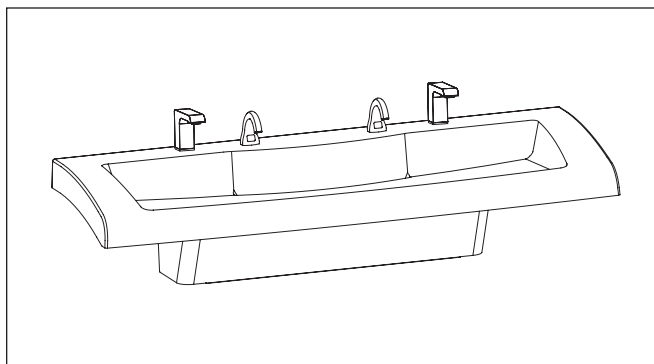
cUPC Approval

Verge Lavatory System is Uniform Plumbing Code (UPC), International Plumbing Code (IPC) and National Plumbing Code of Canada (NPC) approved through the International Association of Plumbing and Mechanical Officials (IAPMO). Manufactured in compliance with IGC 156, CSA B45 Series (R08) & ASME A112.18.1/CSA B125.1.

- This plumbing fixture is designed for hand washing only. It is not intended to dispense water for human consumption through drinking or for preparation of food or beverages.



Protected by one or more of the following U.S. Patents: D629877. Other patents pending.



Models (Must select one)

Model	Description
<input type="checkbox"/> LVGD2	Verge Lavatory System – LVGD-Series, Two-Station

Standard Selections (Must select one from each category)

Faucet Drilling (select one)

<input type="checkbox"/> 4" SET	4" Centerset Drilling	<input type="checkbox"/> SHANK	Centershank Drilling
<input type="checkbox"/> CAP-DCG	G Capacitive Faucet Battery	<input type="checkbox"/> CAP-DCA	A Capacitive Faucet Battery
<input type="checkbox"/> IR-DCD	D Infrared Faucet Battery		

Soap Dispenser (select one)

<input type="checkbox"/> 6326-68	32-oz. Plastic Globe, 6" Spout
<input type="checkbox"/> 6315	Sensor-Operated Soap Dispenser (lotion soap not included, see options below)
<input type="checkbox"/> 6334	Lavatory-Mounted Soap Dispenser
<input type="checkbox"/> SDO	Soap Drilling Only
<input type="checkbox"/> NSD	No Soap Dispenser

Water Supply (select one)

<input type="checkbox"/> TMA	Navigator® Thermostatic Mixing Assembly (Hot and Cold Supplies) w/Stops and Supply Hoses
<input type="checkbox"/> NONE	No Valve Option Selected

Color of Evero™ Bowl (select one)

<input type="checkbox"/> AMAZON	Amazon	<input type="checkbox"/> MARAKESH	Marakesh	<input type="checkbox"/> SAHARA	Sahara
<input type="checkbox"/> ANTARCTICA	Antarctica	<input type="checkbox"/> MOJAVE	Mojave	<input type="checkbox"/> SERENGETI	Serengeti
<input type="checkbox"/> BLACK-SEA	Black Sea	<input type="checkbox"/> NASSAU	Nassau	<input type="checkbox"/> TUSCANY	Tuscany
<input type="checkbox"/> CABO	Cabo	<input type="checkbox"/> NEPAL	Nepal	<input type="checkbox"/> YUKON	Yukon
<input type="checkbox"/> GLACIER	Glacier Bay	<input type="checkbox"/> PUNALUU	Punaluu Beach	<input type="checkbox"/> ZANZIBAR	Zanzibar

Color of Access Panel (select one)

<input type="checkbox"/> STAIN	Stainless Steel
--------------------------------	-----------------

P-Trap:

<input type="checkbox"/> S-PLASTIC	Single Plastic Polypropylene P-Trap
<input type="checkbox"/> S-CHROME	Single Chrome-Plated P-Trap

Optional Selections

For 6315 Dispenser (must order as separate line items)

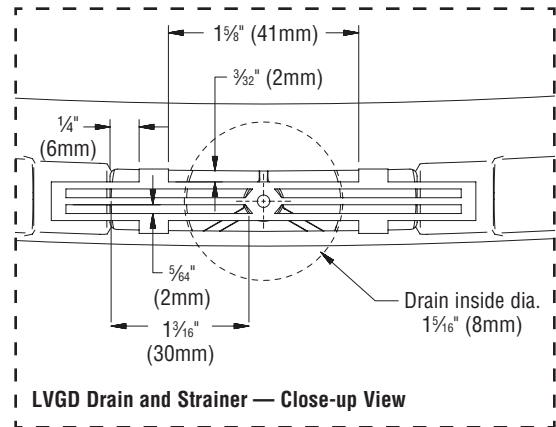
<input type="checkbox"/> P19-232B	1000-Shot or 27-oz. Lotion Soap with Moisturizer (4 Bottles per Case)
<input type="checkbox"/> P19-232A	2000-Shot or 54-oz. Lotion Soap with Moisturizer (4 Bottles per Case)
<input type="checkbox"/> P19-231F	AC Adapter - 6315 Soap Dispenser

Transformer:

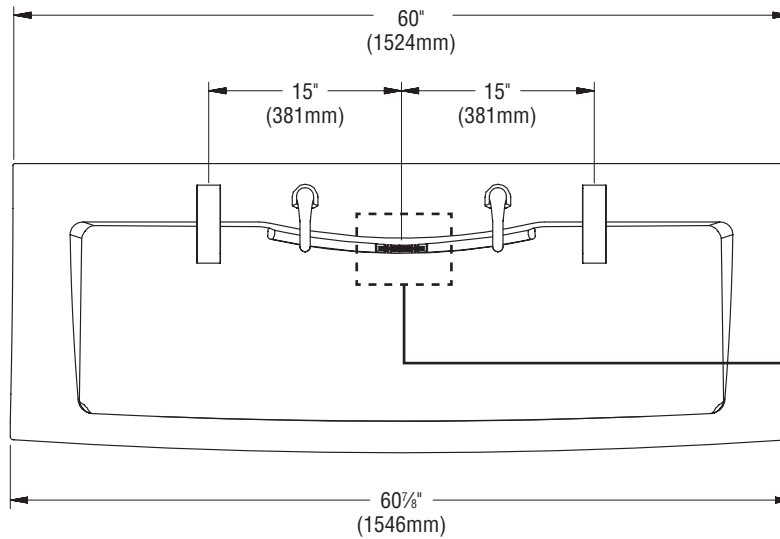
<input type="checkbox"/> PT	110–120 VAC plug-in adapter to convert battery-operated faucet
-----------------------------	--

For more information on Evero Natural Quartz Material, faucets, valves, transformers, and the sensor-operated soap dispenser, please visit bradleycorp.com.

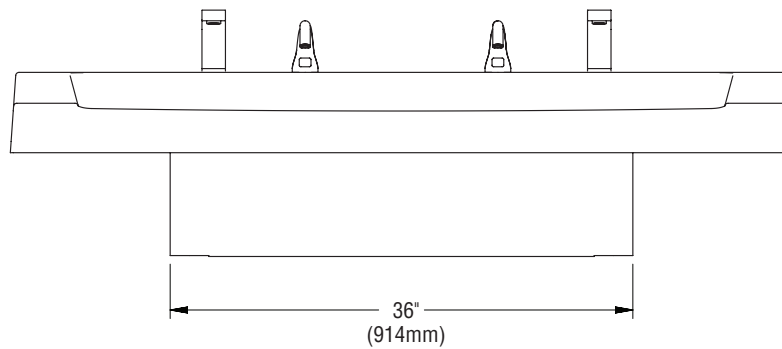
Dimensions for LVGD2 Verge Lavatory Systems



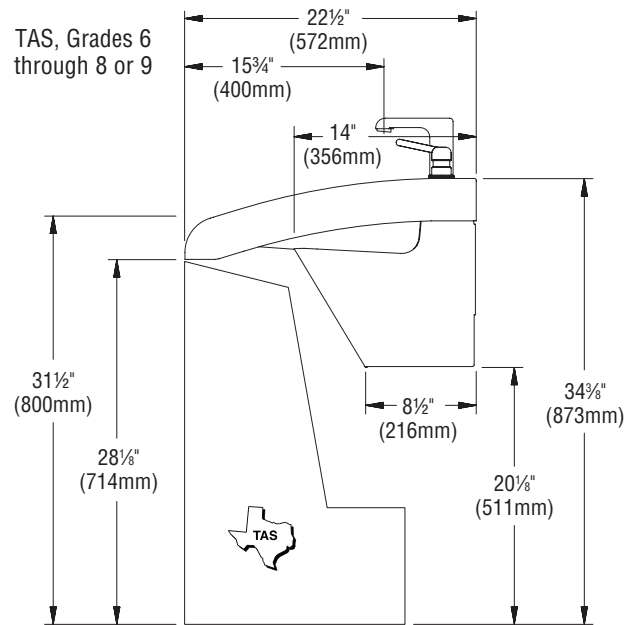
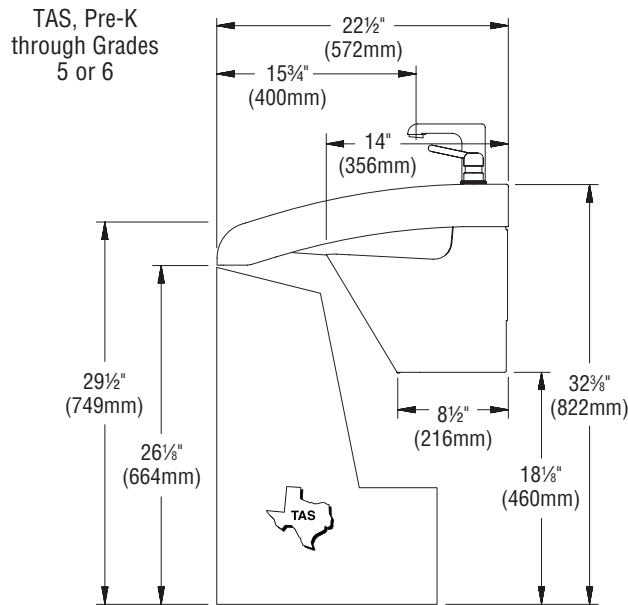
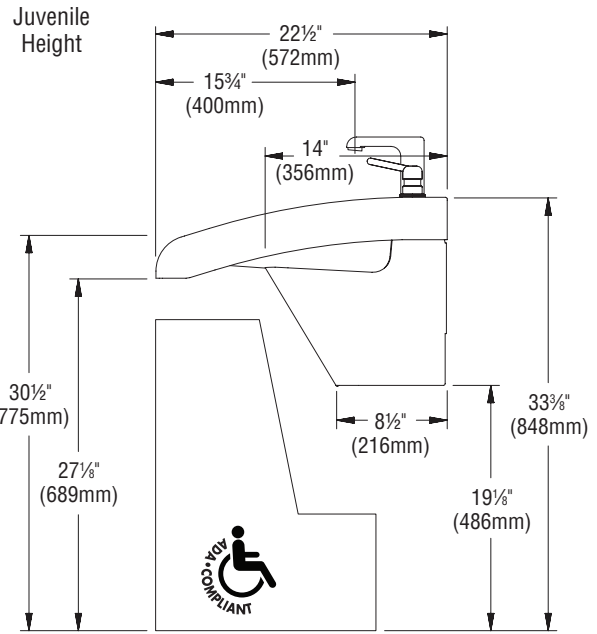
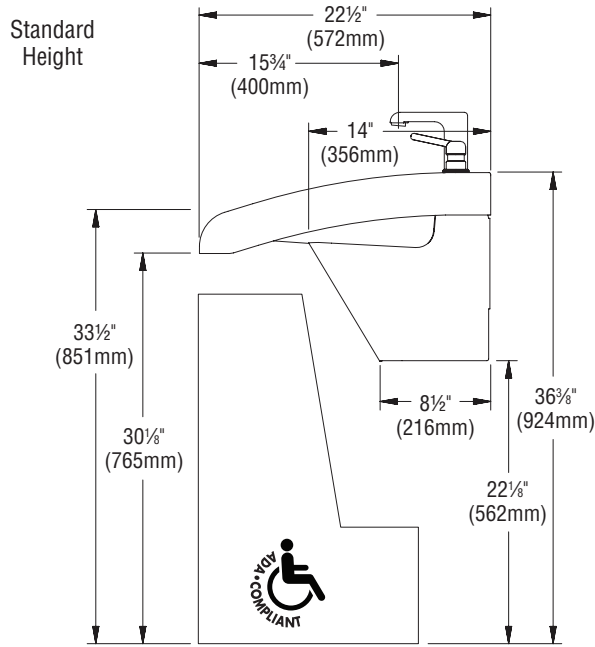
Top View



Front View




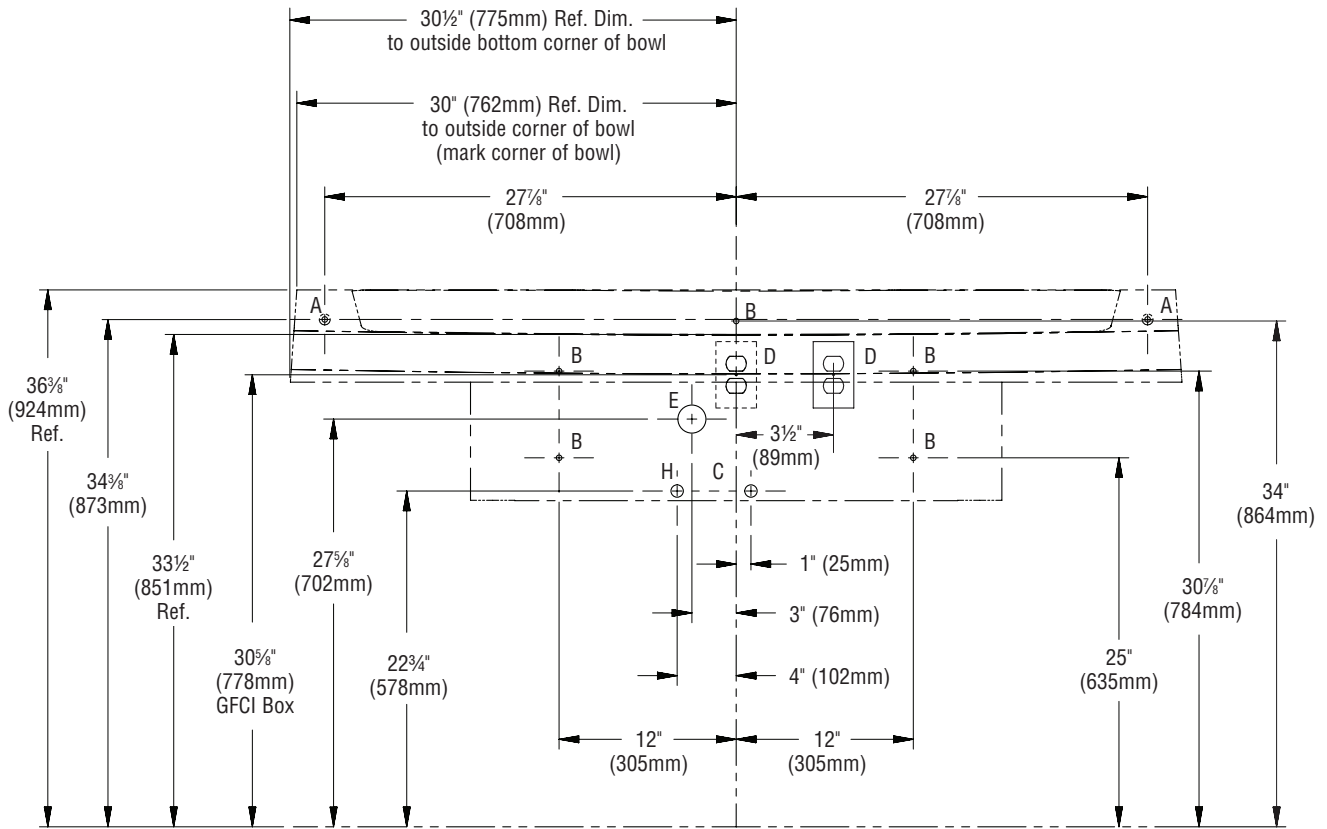
Dimensions for LVGD2 Verge Lavatory Systems



Rough-Ins for LVGD2 Verge Lavatory Systems

Standard rough-in shown.

 Reinforce wall at points A and B.



CODE	DESCRIPTION	QTY.
A	3/8" Lav Deck Bowl Anchors with a Minimum Pull-Out Force of 1,000 lbs. (reinforce walls at anchor points)	2
B	3/8" Lav Deck Frame Anchors with a Minimum Pull-Out Force of 1,000 lbs. (reinforce walls at anchor points)	5
H, C	1/2" NPT Hot/Cold Supplies, Stub-Out 2" From Wall	1
D	110v GFI Protected Electrical Outlet (AC version only) <i>Two single outlets are required for CAP-DCG or CAP-DCA faucets due to the size of the transformers.</i>	2
E	1 1/2" NPT Drain, Stub-Out 2" from Wall	1

RIM HEIGHT	VERTICAL HEIGHT ADJUSTMENTS FOR CODES A-E and H	FIXTURE STYLE
33 1/2"	None	Standard Height
31 1/2"	Subtract 2"	TAS, Grades 6 through 8 or 9
29 1/2"	Subtract 4"	TAS, Pre-K through Grades 5 or 6
30 1/2"	Subtract 3"	Juvenile Height