



# HN250 Surface-Mounted ADA Compliant Wall Shower

- Ideal for ADA Shower Rooms
- Flexible Supply Hoses Make Rough-In Easier
- Completely Preassembled, Surface-Mounted Wall Unit

## Specifications

### Shower Stall Configuration

Available in a right or left-handed configuration depending on location of valve.

## Construction

### Materials

All exposed materials, except for phenolic seat, are type 304 stainless steel or polished chrome-plated brass. Shower panel is 16 gauge and grab bar is 18 gauge. Valve bodies are brass casting. Supply hoses are 24" flexible stainless steel.

### ADA Compliant

When installed properly in a 3' x 3' stall, the HN250 provides a shower stall designed to comply with all known ADA guidelines on reaches, clearances, and operation. Controls are mounted 48" above the floor to accommodate all users. Partition/stall provided by others.



*Check local applicable codes for dimensional compliance.*

## Standard Equipment

### Shower Panel

Constructed of 16 gauge stainless steel.

### Showerhead

Standard fixed direction adjustable sprayhead.

### Diverter Valve

Lever handle operation for easy transfer of water flow between fixed and hand-held shower spray.

### Hand-Held Shower Spray

Consisting of hand shower with on-off control, a 60" stainless steel flexible hose and post style mounting bracket to hold to shower panel. Elevated in-line backflow preventer with quick-disconnect for flexible hose.

### Supply Inlets

Supply inlets are 24" flexible, stainless steel hoses with 1/2" NPT connections.

### Flow Control

A 2.0 GPM (7.6 LPM) flow control is standard. Actual flow may vary, but will not exceed 2.5 GPM (9.5 LPM) max.

### L-Shaped Grab Bar

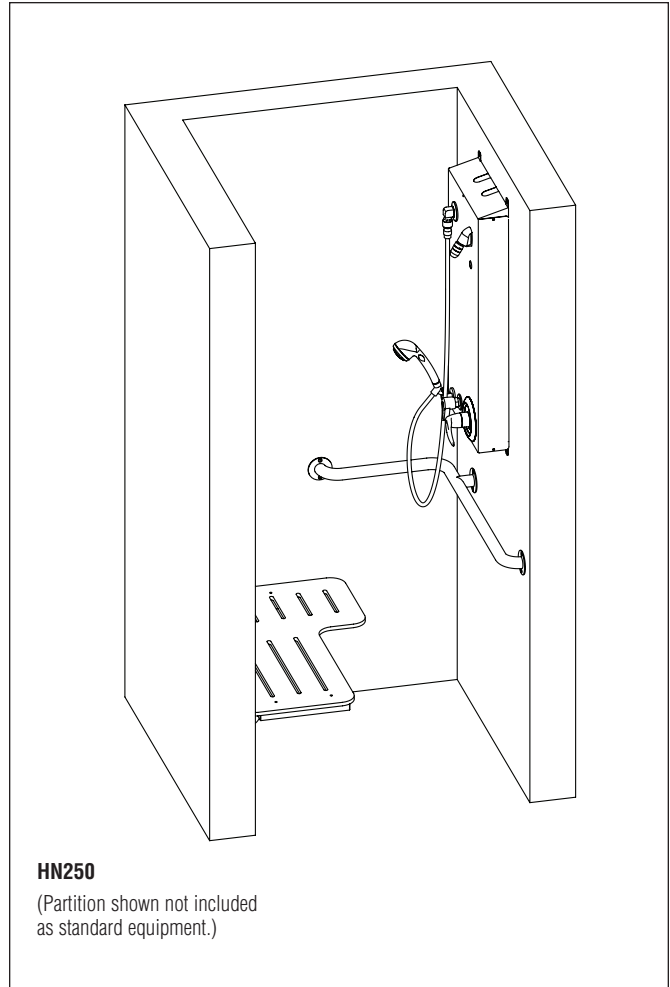
Grab bar fabricated of 18 gauge 1-1/2" O.D. stainless steel tubing with a 1-1/2" safety statute clearance. Flanges are 11 gauge. Load capacity in excess of 300 lbs.

### Barrier-Free Seat

Reversible phenolic shower seat. Load capacity of 250 lbs. See technical data document 9027 for additional information.

### Shower Curtain

Vinyl shower curtain with heavy-duty curtain rod and hooks.





<b>Model</b> <input type="checkbox"/> <b>HN250</b>	<b>Description</b> Surface-Mounted ADA-Compliant Wall Shower
<b>Standard Selections</b>	
<b>Showerhead Height (select one)</b>	
<input type="checkbox"/> 6'-0" Standard Height	
<input type="checkbox"/> 5'-6" Juvenile Height	
<b>Valve Type (select one)</b>	
<input type="checkbox"/> <b>EF</b>	Equa-Flo Pressure-Balancing Valve
<input type="checkbox"/> <b>HD</b>	Equa-Flo HD Pressure-Balancing Valve
<input type="checkbox"/> <b>TMV</b>	Thermostatic Mixing Valve
<input type="checkbox"/> <b>AST</b>	Air Metering Valve
<input type="checkbox"/> <b>TT</b>	TouchTime® Metering Valve**
<input type="checkbox"/> <b>SVL</b>	Single Compression Valve with lever handle
<input type="checkbox"/> <b>AZ</b>	Infrared Metering Valve**
<b>Shower Stall Configuration (Select one Configuration and one Seat Style)</b>	
<input type="checkbox"/> <b>VL/SR</b> Valve Left/Seat Right	<input type="checkbox"/> <b>RSS</b> Reversible Phenolic Shower Seat
-----	
<input type="checkbox"/> <b>VR/SL</b> Valve Right/Seat Left	<input type="checkbox"/> <b>RSS</b> Reversible Phenolic Shower Seat

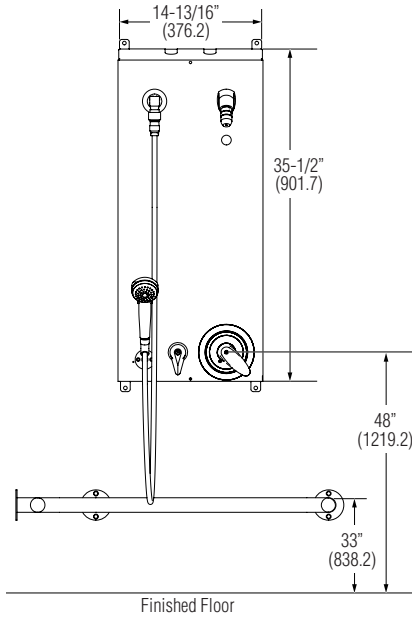
<b>Optional Selections</b>	
<b>Showerhead Variations</b>	
<input type="checkbox"/> <b>SX</b>	Severe Service Showerhead
<input type="checkbox"/> <b>SF</b>	Deluxe Showerhead with Ball Joint
<input type="checkbox"/> <b>ES</b>	Economy Soft Flow with Ball Joint
<b>Flow Control (Not available with SF Showerhead)</b>	
<input type="checkbox"/> <b>G</b>	1.5 GPM (5.7 LPM) Flow Control (Showerhead and Hand Shower)
<b>Volume Control (Not available with SX or ES Showerhead)</b>	
<input type="checkbox"/> <b>AKV</b>	Allen Key Volume Control
<input type="checkbox"/> <b>THV</b>	T-Handle Volume Control
<b>Ball Joint (Not available with SX or ES Showerhead)</b>	
<input type="checkbox"/> <b>LBJ</b>	Lockable Ball Joint
<b>Miscellaneous</b>	
<input type="checkbox"/> <b>DBS</b>	Deduct Barrier-Free Seat
<input type="checkbox"/> <b>DCR</b>	Deduct Curtain, Rod and Hooks
<input type="checkbox"/> <b>DGB</b>	Deduct Grab Bar
<input type="checkbox"/> <b>F2S</b>	Fixed 2nd Showerhead in place of Hand Shower
<input type="checkbox"/> <b>SB</b>	Slide Bar
<input type="checkbox"/> <b>SHV</b>	Vertical Shroud
	Showerhead Height _____
	Floor to Ceiling Height _____
<input type="checkbox"/> <b>SHH</b>	Horizontal Shroud*
<input type="checkbox"/> <b>ST</b>	Stops in Supplies
<input type="checkbox"/> <b>RP</b>	Reinforced Partition Kit
<input type="checkbox"/> <b>VS</b>	Vandal Resistant Screws

\*Non-cancelable, non-returnable

\*\*AZ and TT valves require optional 24V Class 2 transformers, available as a separate item from Bradley. PT (S83-134) 24V Plug In Transformer (1/2 amp) Up to 2 showers. 4RT (S45-2045) 24V Remote Transformer (2amp) Up to 4 showers.



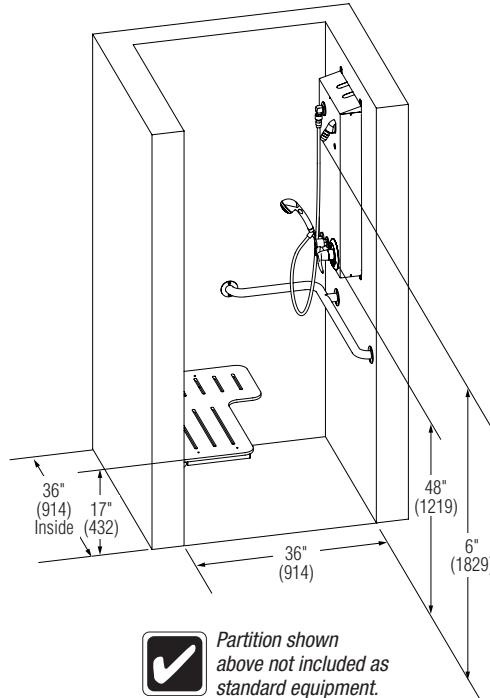
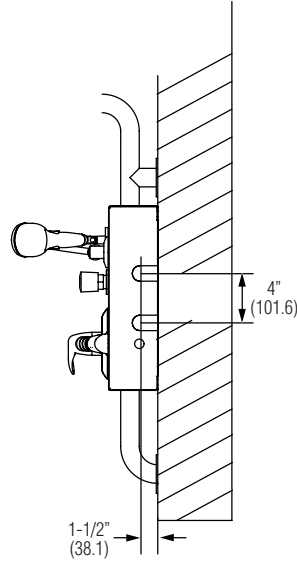
Shower Panel/Grab Bar Rough-In



Dimensions for ADA Compliance

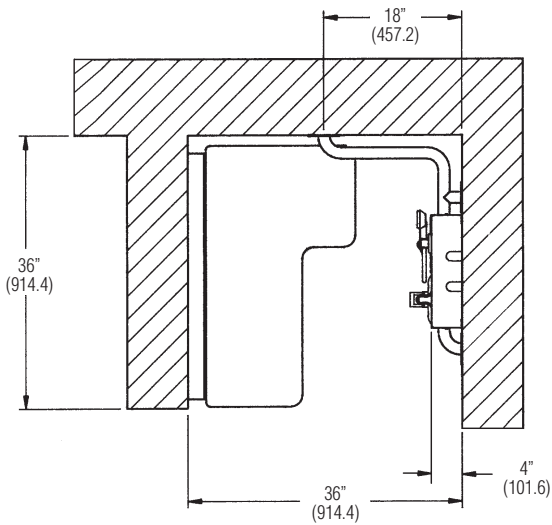
(mm)

Supplies Rough-In



Partition shown above not included as standard equipment.

Valve Right/Seat Left Configuration



For Valve Left/Seat Right configuration, mirror dimensions for Valve Right/Seat Left.