



HN200 Recess-Mounted ADA Compliant Wall Shower

- No Frame Required for Installation
- Ideal for Barrier-Free Shower Rooms
- Flexible Supply Hoses Make Rough-In Easier
- Completely Preassembled, Recess-Mounted Wall Unit

Specifications

Shower Stall Configuration

Available in a right or left-handed configuration depending on location of valve.

Construction

Materials

All exposed materials, except for phenolic seat, are type 304 stainless steel or polished chrome-plated brass. Shower panel is 16 gauge and grab bar is 18-gauge. Valve bodies are brass casting. Supply hoses are 24" flexible stainless steel.

Barrier-Free (ADA Compliant)

When installed properly in a 3' x 3' stall, the HN200 provides a shower stall designed to comply with all known ADA guidelines on reaches, clearances, and operation. Controls are mounted 42" – 48" above the floor to accommodate all users.



Check local applicable codes for dimensional compliance.

Standard Equipment

Shower Panel

Constructed of 16 gauge stainless steel with recessed soap dish.

Showerhead

Standard fixed direction adjustable sprayhead (S15).

Diverter Valve

Lever handle operation for easy transfer of water flow between fixed and hand-held hose spray.

Hand-Held Shower Spray

Consisting of hand shower with on-off control, a 60" stainless steel flexible hose and post style mounting bracket to hold to shower panel. Elevated in-line backflow preventer with quick-disconnect for flexible hose.

Supply Inlets

Supply inlets are flexible, stainless steel hoses with 1/2" NPT connections.

Flow Control

A 1.5 GPM (5.7 LPM) flow control is standard. Actual flow may vary, but will not exceed 2.0 GPM (7.6 LPM) max.

Optional Selections

L-Shaped Grab Bar

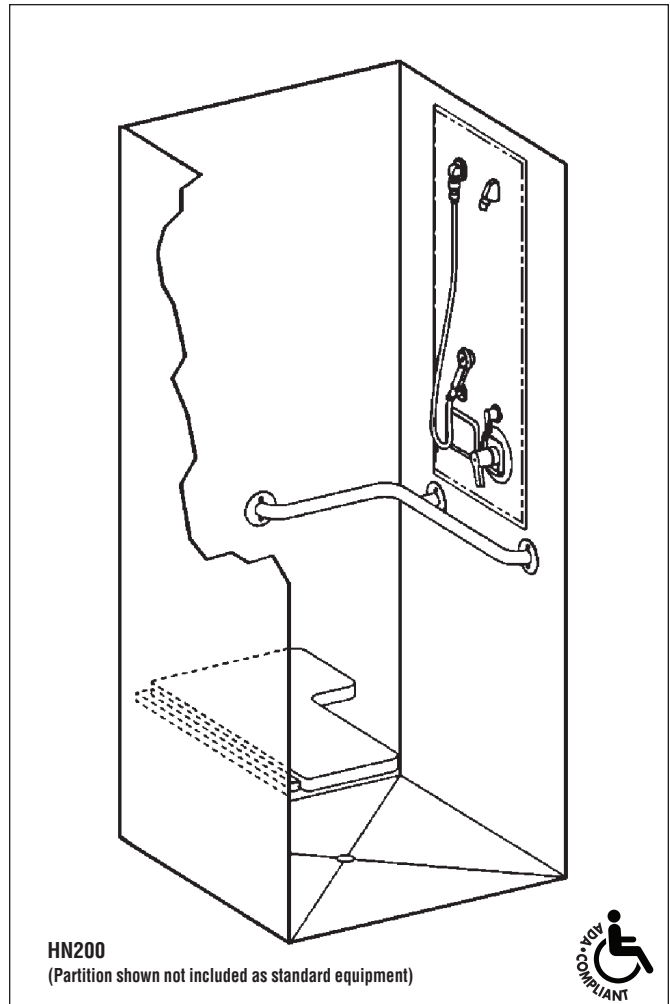
Grab bar fabricated of 18-gauge 1-1/2" O.D. stainless steel tubing with a 1-1/2" safety statute clearance. Flanges are 11-gauge. Load capacity in excess of 300 lbs.

Barrier-Free Seat

Reversible phenolic shower seat. Load capacity of 250 lbs. See technical data document Bradley_ShowerSeat_9569 for additional information.

Shower Curtain

60" x 72" vinyl shower curtain with heavy-duty curtain rod and hooks.





Model <input type="checkbox"/> HN200	Description Recess-Mounted ADA-Compliant Wall Shower
Standard Selections (Must select one from each category)	
Showerhead Height (select one)	
<input type="checkbox"/> 6'-0" Standard Height	
<input type="checkbox"/> 5'-6" Juvenile Height	
Showerhead Type	
<input type="checkbox"/> S15 Standard Showerhead (Flow Rate = 1.5 GPM/5.7 LPM)	
<input type="checkbox"/> SX15 Severe Service Showerhead (Flow Rate = 1.5 GPM/5.7 LPM)	
<input type="checkbox"/> S20 Standard Showerhead (Flow Rate = 2.0 GPM/7.6 LPM)	
<input type="checkbox"/> SX20 Severe Service Showerhead (Flow Rate = 2.0 GPM/7.6 LPM)	
<input type="checkbox"/> SF Deluxe Showerhead w/ Ball Joint (Flow Rate = 1.5 GPM/5.7 LPM)	
<input type="checkbox"/> ES Economy Soft Flow w/ Ball Joint (Flow Rate = 2.0 GPM/7.6 LPM)	
<input type="checkbox"/> J Multi-Jet Showerhead w/ Ball Joint (Flow Rate = 1.5GPM/5.7 LPM)	
<input type="checkbox"/> LX Luxury Showerhead w/ Ball Joint (Flow Rate = 1.5GPM/5.7 LPM)	
<input type="checkbox"/> B Axis Showerhead w/ Ball Joint (Flow Rate = 1.5GPM/5.7 LPM)	
Valve Type (select one)	
<input type="checkbox"/> EF Equa-Flo Pressure-Balancing Valve	
<input type="checkbox"/> HD Equa-Flo HD Pressure-Balancing Valve	
<input type="checkbox"/> TMV Thermostatic Mixing Valve	
<input type="checkbox"/> AST Air Metering Valve	
<input type="checkbox"/> TT TouchTime® Metering Valve *§	
Shower Stall Configuration (Must select one from each category)	
Valve/Seat Location (select one)	
<input type="checkbox"/> VL/SR Valve Left/Seat Right	
<input type="checkbox"/> VR/SL Valve Right/Seat Left	
ADA Compliant Seat (select one)	
<input type="checkbox"/> RSS Reversible Phenolic Shower Seat	
<input type="checkbox"/> NS No Seat	

Optional Selections	
Volume Control (only available on S15 and S20 showerheads)	
<input type="checkbox"/> AKV	Allen Key Volume Control
<input type="checkbox"/> LHV	Lever Handle Volume Control
Ball Joint (only available on S15 and S20 showerheads)	
<input type="checkbox"/> LBJ	Lockable Ball Joint
Miscellaneous	
<input type="checkbox"/> F2S	Fixed 2nd Showerhead in Place of Hand Shower (select showerhead below)
<input type="checkbox"/> S15	Standard Showerhead (Flow Rate = 1.5 GPM/5.7 LPM)
<input type="checkbox"/> SX15	Severe Service Showerhead (Flow Rate = 1.5 GPM/5.7 LPM)
<input type="checkbox"/> S20	Standard Showerhead (Flow Rate = 2.0 GPM/7.6 LPM)
<input type="checkbox"/> SX20	Severe Service Showerhead (Flow Rate = 2.0 GPM/7.6 LPM)
<input type="checkbox"/> ES	Economy Soft Flow w/ Ball Joint (Flow Rate = 2.0 GPM/7.6 LPM)
<input type="checkbox"/> J	Multi-Jet Showerhead w/ Ball Joint (Flow Rate = 1.5GPM/5.7 LPM)
<input type="checkbox"/> LX	Luxury Showerhead w/ Ball Joint (Flow Rate = 1.5GPM/5.7 LPM)
<input type="checkbox"/> B	Axis Showerhead w/ Ball Joint (Flow Rate = 1.5GPM/5.7 LPM)
<input type="checkbox"/> ST	Stops in Supplies (each) (Included with EF, HD and TMV valves)
<input type="checkbox"/> SB	Slide Bar
<input type="checkbox"/> CRH	Shower Curtain, Rod and Hooks
<input type="checkbox"/> GB	L-Shaped 2-Wall Grab Bar
<input type="checkbox"/> VS	Vandal Resistant Screws

*TT valves require optional 24V Class 2 transformers, available as a separate item from Bradley. PT (S83-134) 24V Plug In Transformer (1/2 amp) Up to 2 showers. 4RT (S45-2045) 24V Remote Transformer (2amp) Up to 4 showers.

Verify all rough-in dimensions prior to installation.

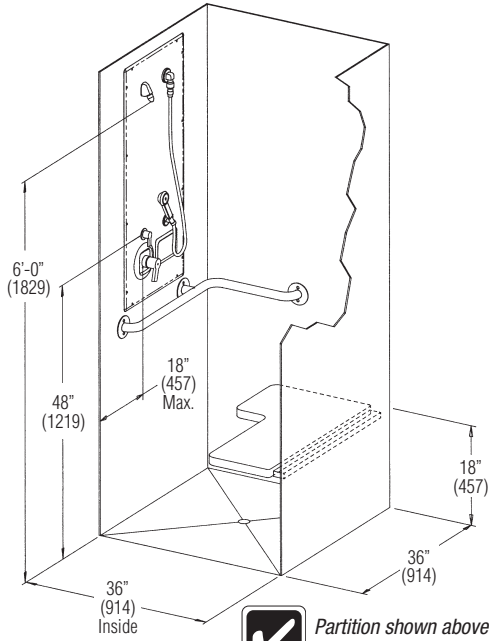
Consult local and national codes: conformity and compliance to local and national codes is the responsibility of the installer.

§ Please visit www.bradleycorp.com/dc for important information regarding a regulatory requirement to convert Bradley's TT activations from AC to DC starting in late 2016.



HN200 Recess-Mounted ADA Compliant Wall Shower

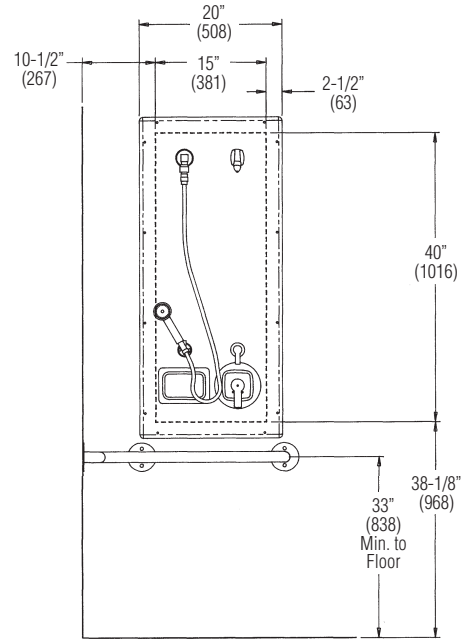
Dimensions for ADA Compliance



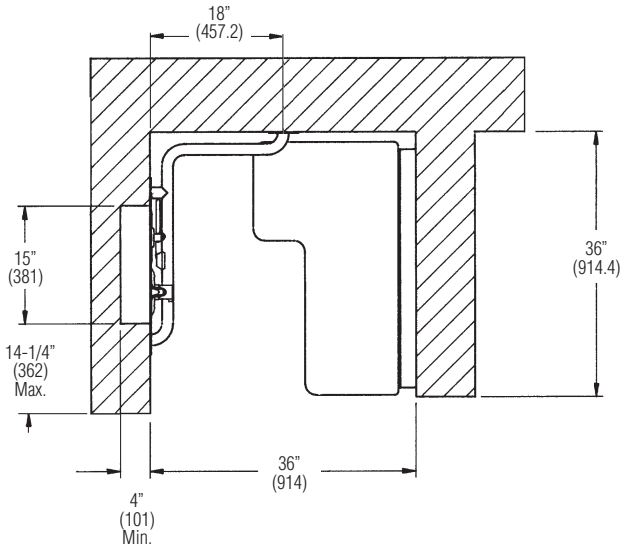
Partition shown above not included as standard equipment.

Shower Panel/Grab Bar Rough-In

(mm)



Valve Left/Seat Right Configuration



Valve Right/Seat Left Configuration

