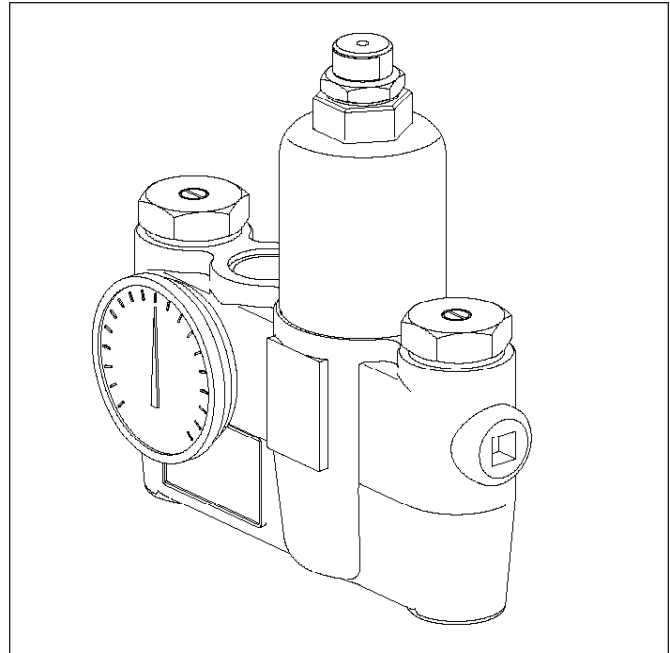




S19-2100 Emergency Fixture Thermostatic Mixing Valve

- Exceeds ANSI Z358.1
- Reliable Liquid-Filled Thermostat with 10-Year Warranty
- Integral Strainer Checkstops on Inlets
- Adjustable Set Point within Temperature Range
- Accurate Temperature Control to within $\pm 3^\circ\text{F}$
- Built-in Cold Water Bypass, Assuring Cold Flow
- Positive Shutoff of Hot Supply When Cold Supply is Lost
- Easy Installation and Serviceability
- Dirt and Lime Resistant
- Dial Thermometer
- Factory Assembled and Tested
- Universal Mounting Capability
- Cabinet Features:
 - 18 Gauge Body & Door
 - Left-Hand Hinge
 - Cylinder Lock
 - Inlet/Outlet Knock-Out Holes for Mounting Flexibility
 - Stainless Steel or Baked White Enamel Finishes
 - Surface-Mounted or Recessed Style



Valve Specifications

Maximum Operating Pressure

125 PSI (860 kPa)

Maximum Inlet Temperature

180° F (82° C)

Recommended Inlet Temperature

120° F (49° C) – 140° F (60° C)

Temperature Range

Std. 65° F (18° C) to 90° F (32° C)

Set Point

85° F (29° C)

Flow Capacities – GPM (L/Min)

Model	Min. Flow	Pressure Drop – PSI (Bar)						
		5 (.5)	10 (1.0)	15 (1.5)	20 (2.0)	30 (2.5)	45 (3.0)	60 (4.0)
S19-2100	2.0 (5.5)	10.5 (48.5)	15 (68.5)	18.5 (84.0)	21.3 (97.0)	26.0 (108.5)	32.0 (119.0)	37.0 (137.0)
Cold Bypass Only		8.0 (37.0)	11.5 (52.0)	14 (64.5)	16.5 (74.0)	20.0 (83.0)	24.5 (91.0)	28.0 (105.0)



This plumbing fixture is not intended to dispense water for human consumption through drinking or for preparation of food or beverages.

Engineer's Approval _____

Models (Must select one)

Model	Description
<input type="checkbox"/> S19-2100	EFX25-Thermostatic Mixing Valve

Optional Selections

Finish

C Chrome Plated

Bracket

B Wall Mounting Bracket

Piped Assembly

P Piped Assembly with Inlet and Outlet Shutoff

N Piped Assembly only

Cabinets

SS Surface Mount Stainless Steel

RS Recessed Stainless Steel

SE Surface Mount White Enamel

RE Recessed White Enamel

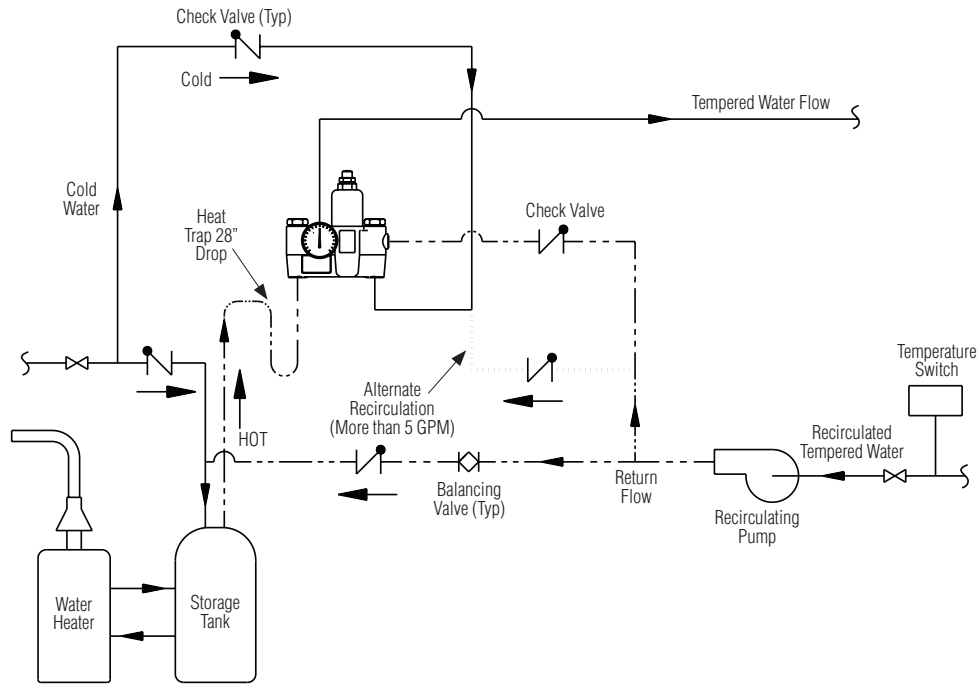
W Plexi-glass Window in Door



S19-2100 Emergency Fixture Thermostatic Mixing Valve

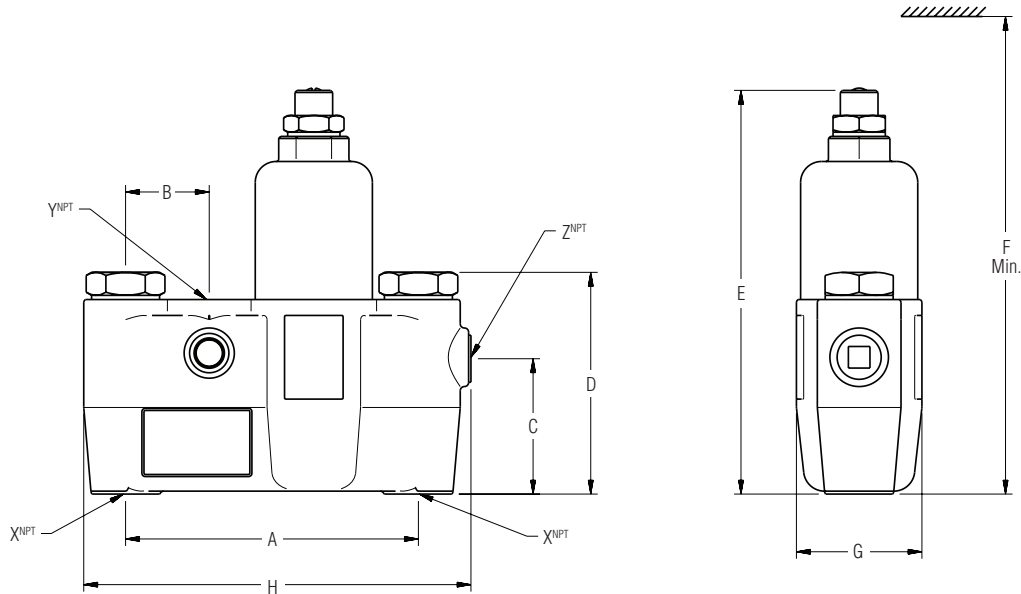
Recirculation Diagram

(mm)



Dimensions

Model	A	B	C	D	E	F	G	H	X ^{NPT}	Y ^{NPT}	Z ^{NPT}
S19-2100	7" (178)	2" (51)	3-1/4" (84)	4-3/4" (119)	8" (203)	14" (356)	3-1/8" (79)	9-1/4" (234)	3/4"	1"	3/4"





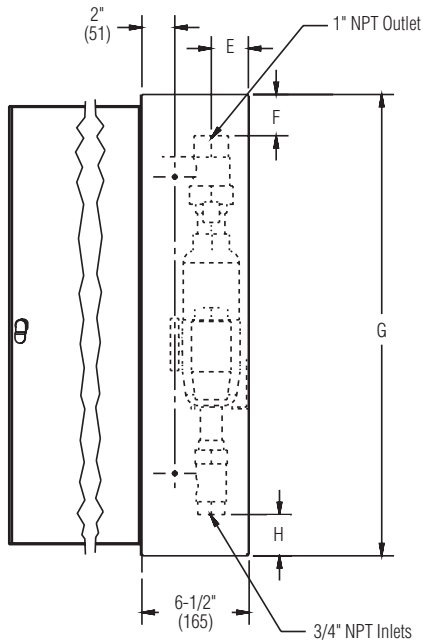
S19-2100 Emergency Fixture Thermostatic Mixing Valve

Dimensions — Surface-Mounted Cabinet

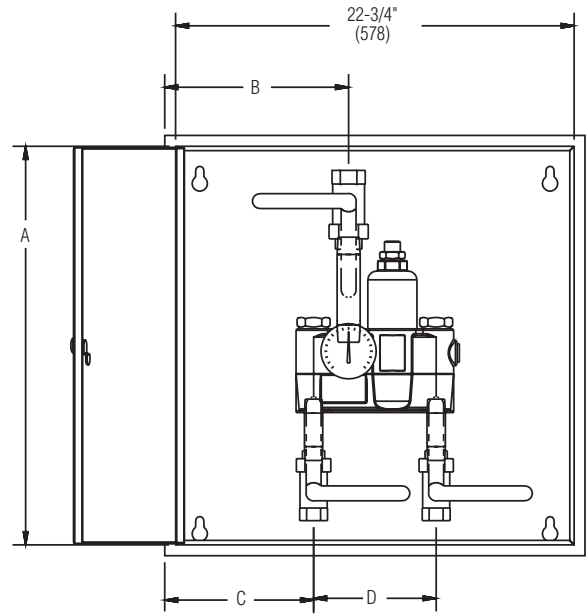
(mm)

Model	A	B	C	D	E	F	G	H	I	J	K	L
S19-2100	22-3/4" (578)	10-1/2" (267)	8-1/2" (216)	7" (178)	2" (51)	2" (51)	24" (610)	2" (51)	6-1/4" (159)	7-1/2" (191)	20" (508)	8-7/16" (214)

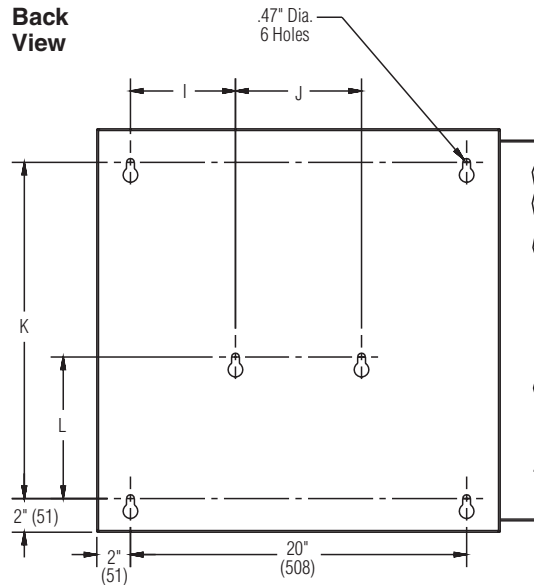
Side View



Front View



Back View





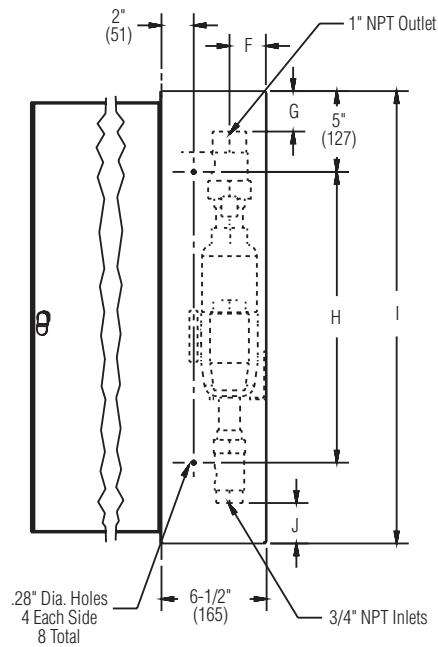
S19-2100 Emergency Fixture Thermostatic Mixing Valve

Dimensions — Recessed Cabinet

(mm)

Model	A	B	C	D	E	F	G	H	I	J
S19-2100	26" (660)	22-3/4" (578)	10-1/2" (267)	8-1/2" (216)	7" (178)	2" (51)	2" (51)	14" (356)	24" (610)	2" (51)

Side View



Front View

