

## Commercial Large Volume Jacketed and Insulated Storage Tanks



Photo is of  
NV303JG5A

### The Large Volume Jacketed and Insulated Storage Tank Models Feature:

- **Vertical or Horizontal Construction**—Horizontal models require two saddles and have two additional 3" (76mm) NPT fittings.
- **Steel Jacket**—Sturdy heavy gauge steel jacket.
- **2" (51mm) High Density Foam Insulation**—Covers the side and top of tank, reducing the amount of heat loss. This results in less energy consumption, improved operation efficiencies, and jacket rigidity.
- **Vitraglas<sup>®</sup> Lining**—An exclusively engineered enamel formula that provides superior tank protection from the highly corrosive effects of hot water. This formula (Vitraglas<sup>™</sup>) is fused to the steel surface by firing at a temperature of over 1600°F (871°C).
- **Water Connections**—Two female 3" (76mm) NPT fittings are located on the front for ease of service and installation. Additional size fittings are available as an option.
- **Protective Magnesium Anode Rods**—Provide added protection against corrosion for long-term, trouble-free service.
- **One 3/4" (19mm) NPT Aquastat Fitting**—Located in the lower part of the tank.
- **Optional Hand Hole Cleanout and Manway**—4" x 6" (102mm x 152mm) diameter Hand Hole cleanout and 12"x16" (305mm x 406mm) diameter Manway opening allow removal of sediment and inspection of interior surface.
  - **Manway standard on all tanks with a vessel diameter of 42" (1067mm) or greater.**
- **Optional Hydrojet HC<sup>®</sup>**—Stainless steel, dielectrically isolated recirculation tube minimizes turbulence and directs the hottest water to the top of the tank to maximize hot water delivery.
- **Designed for Storage of Potable Water up to 180°F (82°C).**
- **All Tanks Are Constructed and Certified**—In accordance with ASME Sect. IV, Part HLW for 125 PSI (862 kPa). 150 PSI (1034 kPa) is available as an option.

### Sample Specification:

The storage tank shall be a Bradford White Jacketed and Insulated model with a nominal rated storage capacity of not less than \_\_\_\_\_ gallons (\_\_\_\_\_ liters), and overall dimensions of \_\_\_\_\_ inches (\_\_\_\_\_ cm.) in height, by \_\_\_\_\_ inches (\_\_\_\_\_ cm.) in diameter. The tank shall be Vitraglas<sup>®</sup> lined, and be built in accordance with ASME Boiler and Pressure Vessel Code ASME IV, Part HLW for 125 PSI (862 kPa) and so labeled, with a working pressure of \_\_\_\_\_ PSI (\_\_\_\_\_ kPa). The storage tank shall have Non-CFC foam insulation and carry a five (5) year limited warranty (ten (10) year limited warranty available on Double Vitraglas<sup>®</sup> lining).

### General

Front water connections 3" (76mm) NPT (except where noted). T&P tapping 1/4" (32mm) NPT. Aquastat tapping 3/4" (19mm) NPT. Most storage tanks are manufactured with convex heads and bases. Some manufacturers list the tank capacity as "Nominal." Generally, this is the theoretical capacity calculated assuming a tank was actually manufactured using a flat (instead of convex) head and base. Bradford White lists both Actual and Nominal capacity for comparison purposes.

**Dimensions and specifications subject to change without notice in accordance with our policy of continuous product improvement.**



### 5-Year Limited Tank Warranties / 1-Year Limited Warranty on Component Parts.

For more information on warranty, please visit [www.bradfordwhite.com](http://www.bradfordwhite.com)

For products installed in USA, Canada, and Puerto Rico. Some states do not allow limitations on warranties. See complete copy of the warranty included with the heater.

# Commercial Large Volume Storage Tanks

## Jacketed Models

Meet or exceed ASHRAE 90.1b (current standard)

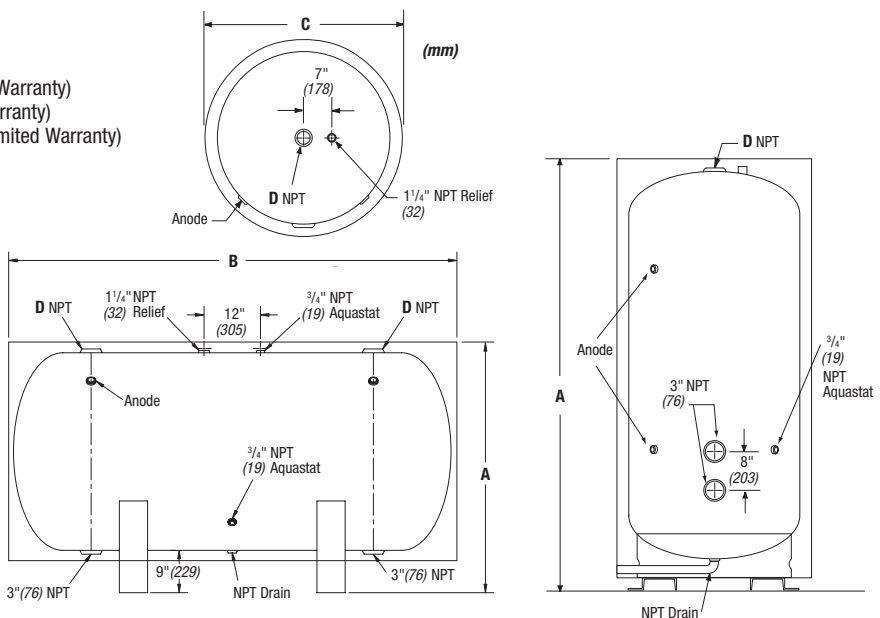
Model Number	Capacity (Gal.)		Capacity (Liters)		A Vertical Height		A Horizontal Height		B Horizontal Length		B Horizontal Length		C Diameter		D Hot Water Outlet Conn. Size		D Hot Water Outlet Conn. Size		(Vert.) Shipping Weight	(Horiz.) Shipping Weight	(Vert.) Shipping Weight	(Horiz.) Shipping Weight	Required Manway
	Nominal	Actual	Nominal	Actual	(in.)	(in.)	(mm.)	(mm.)	(in.)	(mm.)	(in.)	(mm.)	(in.)	(mm.)	(in.)	(mm.)	(lbs.)	(lbs.)	(kg.)	(kg.)			
N†193J*5A	193	175	731	662	71	41	1803	1041	67	1702	34	864	2.5	64	548	570	249	259	—	—	—	—	
N†229J*5A	229	210	867	795	83	41	2108	1041	79	2007	34	864	2.5	64	613	613	278	278	—	—	—	—	
N†260J*5A	260	240	984	908	93	41	2362	1041	89	2261	34	864	2.5	64	673	755	305	342	—	—	—	—	
N†303J*5A	303	280	1147	1060	107	41	2718	1041	103	2616	34	864	2.5	64	700	728	318	330	—	—	—	—	
N†318J*5A	318	285	1204	1079	80	47	2032	1194	76	1930	40	1016	2.5	64	714	776	324	352	—	—	—	—	
N†340J*5A	340	320	1287	1211	119	41	3023	1041	115	2921	34	864	2.5	64	730	774	331	351	—	—	—	—	
N†344J*5A	344	310	1302	1173	86	47	2184	1194	82	2083	40	1016	2.5	64	782	827	355	375	—	—	—	—	
N†375J*5A	375	340	1420	1287	93	47	2362	1194	89	2261	40	1016	2.5	64	845	876	383	397	—	—	—	—	
N†397J*5A	397	360	1503	1363	98	47	2489	1194	94	2388	40	1016	2.5	64	894	935	406	424	—	—	—	—	
N†449J*5A	449	415	1700	1571	110	47	2794	1194	106	2692	40	1016	2.5	64	982	1016	445	461	—	—	—	—	
N†486J*5A	486	435	1840	1647	89	53	2261	1346	85	2159	46	1168	3	76	1024	1110	464	503	YES	YES	—	—	
N†502J*5A	502	465	1900	1760	122	47	3099	1194	118	2997	40	1016	2.5	64	1106	1157	502	525	—	—	—	—	
N†504J*5A	504	453	1908	1715	92	53	2337	1346	88	2235	46	1168	3	76	1074	1049	487	476	YES	YES	—	—	
N†555J*5A	555	515	2101	1949	134	47	3404	1194	130	3302	40	1016	2.5	64	1194	1260	542	572	—	—	—	—	
N†558J*5A	558	505	2112	1912	101	53	2565	1346	97	2464	46	1168	3	76	1168	1181	530	536	YES	YES	—	—	
N†572J*5A	572	500	2165	1893	81	59	2057	1499	77	1956	52	1321	3	76	1381	1449	626	657	YES	YES	—	—	
N†630J*5A	630	575	2385	2177	113	53	2870	1346	109	2769	46	1168	3	76	1292	1263	586	573	YES	YES	—	—	
N†658J*5A	658	580	2491	2196	92	59	2337	1499	88	2235	52	1321	3	76	1539	1593	698	723	YES	YES	—	—	
N†702J*5A	702	645	2657	2442	125	53	3175	1346	121	3073	46	1168	3	76	1392	1352	631	613	YES	YES	—	—	
N†752J*5A	752	675	2847	2555	104	59	2642	1499	100	2540	52	1321	3	76	1653	1750	750	794	YES	YES	—	—	
N†774J*5A	774	720	2930	2725	137	53	3480	1346	133	3378	46	1168	3	76	1498	1460	679	662	YES	YES	—	—	
N†834J*5A	834	776	3157	2973	147	53	3734	1346	143	3632	46	1168	3	76	1587	1547	720	702	YES	YES	—	—	
N†846J*5A	846	765	3202	2896	116	59	2946	1499	112	2845	52	1321	3	76	1803	1925	818	873	YES	YES	—	—	
N†940J*5A	940	860	3558	3255	128	59	3251	1499	124	3150	52	1321	3	76	1947	2069	883	938	YES	YES	—	—	
N†981J*5A	981	875	3713	3312	107	65	2718	1651	103	2616	58	1473	3	76	2200	2275	998	1032	YES	YES	—	—	
N†1119J*5A	1119	1000	4236	3785	121	65	3073	1651	117	2972	58	1473	3	76	2400	2475	1089	1123	YES	YES	—	—	
N†1128J*5A	1128	1040	4270	3937	149	59	3785	1499	145	3683	52	1321	3	76	2216	2407	1005	1092	YES	YES	—	—	
N†1174J*5A	1174	1000	4444	3785	104	71	2642	1803	97	2464	64	1626	3	76	2600	2675	1179	1213	YES	YES	—	—	
N†1219J*5A	1219	1110	4614	4202	129	65	3277	1651	127	3226	58	1473	3	76	2575	2650	1168	1202	YES	YES	—	—	
N†1327J*5A	1327	1217	5023	4607	142	65	3607	1651	138	3505	58	1473	3	76	2750	2825	1247	1281	YES	YES	—	—	
N†1395J*5A	1395	1245	5281	4713	122	71	3099	1803	118	2997	64	1626	3	76	3050	3125	1383	1417	YES	YES	—	—	
N†1689J*5A	1689	1530	6394	5792	146	71	3708	1803	142	3607	64	1626	3	76	3500	3575	1586	1622	YES	YES	—	—	
N†1761J*5A	1761	1538	6666	5822	106	81	2692	2057	100	2540	72	1829	3	76	2677	2942	1214	1334	YES	YES	—	—	
N†2061J*5A	2061	1800	7802	6814	123	81	3124	2057	117	2972	72	1829	3	76	3035	3305	1377	1499	YES	YES	—	—	
N†2115J*5A	2115	1865	8006	7060	126	81	3200	2057	120	3048	72	1829	3	76	3099	3369	1406	1528	YES	YES	—	—	
N†2256J*5A	2256	2000	8540	7571	134	81	3404	2057	128	3251	72	1829	3	76	3267	3540	1482	1606	YES	YES	—	—	

- † V = Vertical, H=Horizontal.
- \* G = Vitraglas® (5-yr. Limited Warranty)
- \* D = Double Vitraglas® (10-yr. Limited Warranty)
- \* E = Epoxy (1-yr. Limited Warranty - Field Repairable)
- \* S1 = 316L Unpassivated Stainless Steel (1-yr Limited Warranty)
- \* S2 = 316L Passivated Stainless Steel (5-yr Limited Warranty)
- \* S3 = 2205 Passivated Duplex Stainless Steel (15-yr Limited Warranty)

Example: NV1219JG5A.

### Tank Options:

- Hand Hole (4"x6") (102mm x 152mm)
- Manway (12"x16") (305mm x 406mm)
- Extra Tappings (1" - 4") (25mm - 102mm)
- Flanged Connections (3" - 10") (76mm - 254mm)
- 150 PSI working pressure (add suffix -5)
- Hydrojet HC® (add suffix -1)
- \* For other options consult factory



— BRADFORD WHITE IS —



For field service, contact your professional installer or local Bradford White sales representative.

Sales 800-523-2931 ■ Fax 215-641-1612

Technical Support 800-334-3393 ■ Email [techserv@bradfordwhite.com](mailto:techserv@bradfordwhite.com)

Warranty 800-531-2111 ■ Email [warranty@bradfordwhite.com](mailto:warranty@bradfordwhite.com)

International: Telephone 1-215-641-9400 ■ Email [international@bradfordwhite.com](mailto:international@bradfordwhite.com) / [www.bradfordwhite.com](http://www.bradfordwhite.com)

**Built to be the Best™**