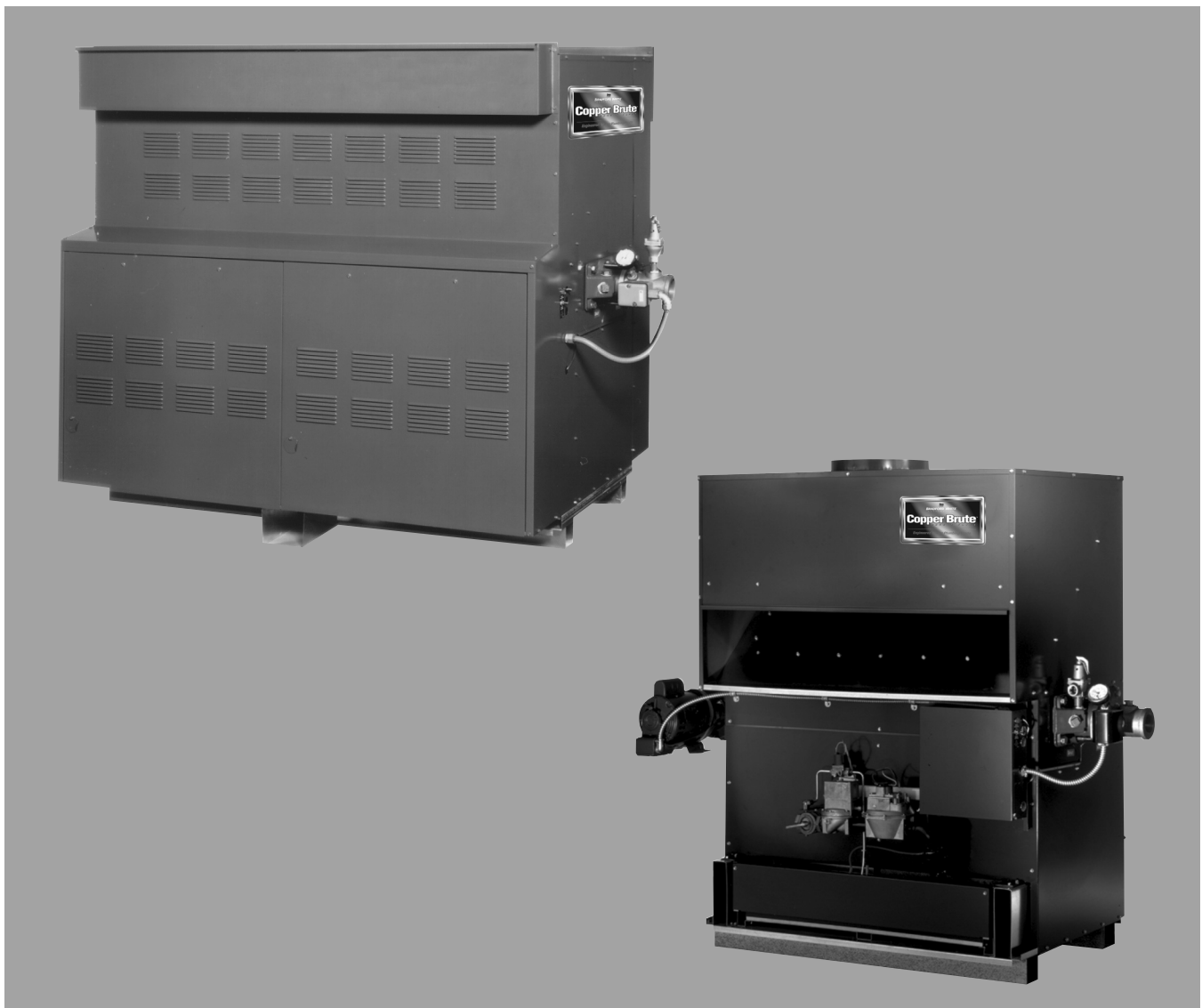
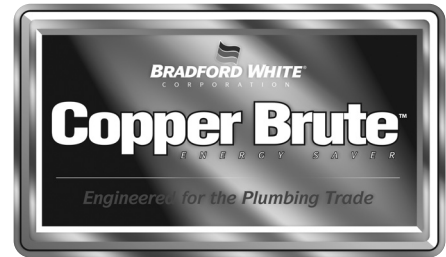


## Pump-Mounted Water Heaters

B4 - Copper Brute Water Heaters

Indoor/Outdoor Sizes 500,000 - 1,825,000 BTU/Hr.

Up to 82% Thermal Efficiency



The unit will be designed and constructed in accordance with the ASME Boiler and Pressure Vessel Code Section IV requirements for 160 psi working pressure. The units will bear the ASME "H" stamp and be registered by the National Board.



**5-Year Limited Heat Exchanger Warranty / 1-Year Limited Warranty on Component Parts.**

For more information on warranty, please visit [www.bradfordwhite.com](http://www.bradfordwhite.com)

For products installed in USA, Canada and Puerto Rico. Some states do not allow limitations on warranties.

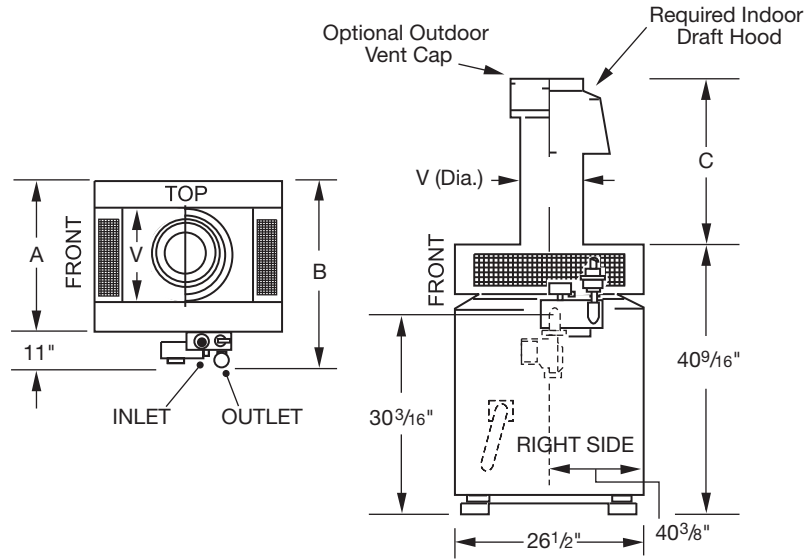
See complete copy of the warranty included with the heater.

**MANUFACTURED UNDER ONE OR MORE OF THE FOLLOWING U.S. PATENTS:** 5,954,492; 5,761,379; 5,943,984; 5,081,696; 5,988,117; 6,142,216; 5,199,385; 5,574,822; 5,372,185; 5,485,879; 5,277,171; (B1)5,341,770; 5,660,165; 5,596,952; 5,682,666; 4,904,428; 5,023,031; 5,000,893; 4,669,448; 4,829,983; 4,808,356; 5,115,767; 5,092,519; 5,052,346; 4,416,222; 4,628,184; 4,861,968; 4,672,919; Re. 34,534; 7,270,087 B2. OTHER U.S. AND FOREIGN PATENT APPLICATIONS PENDING. CURRENT CANADIAN PATENTS: 1,272,914; 1,280,043; 1,289,832; 2,045,862; 2,112,515; 2,108,186; 2,107,012; 2,092,105; 2,409,271.  
©2008, Bradford White Corporation. All rights reserved. Printed in U.S.A.

# Copper-Brute (175-400)

## Water Heater Dimensions

Illustrated dimensions are shown in inches.



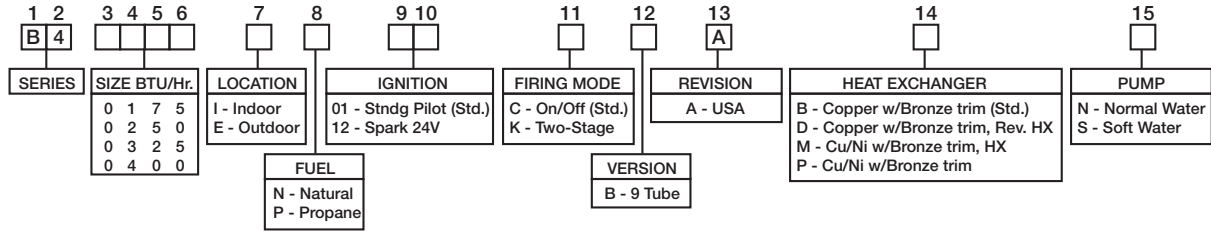
## Copper-Brute™ Convertible Models

NATURAL GAS AND LIQUID PROPANE GAS

Indoor Model Number	A in.	B in.	C in.	V in.
B4017SIN	18	26 1/2	23 1/2	6
B40250IN	22 1/2	31	24 3/4	7
B40325IN	26 3/4	35 1/4	25 7/8	8
B40400IN	31 3/4	40 1/4	26 7/8	9
Outdoor Model Number	A in.	B in.	C in.	V in.
B40175EN	18	26 1/2	23 1/2	6
B40250EN	22 1/2	31	24 3/4	7
B40325EN	26 3/4	35 1/4	25 7/8	8
B40400EN	31 3/4	40 1/4	26 7/8	9
Indoor Model Number	A mm.	B mm.	C mm.	V mm.
B4017SIN	—	—	—	—
B40250IN	—	—	—	—
B40325IN	—	—	—	—
B40400IN	—	—	—	—
Outdoor Model Number	A mm.	B mm.	C mm.	V mm.
B40175EN	—	—	—	—
B40250EN	—	—	—	—
B40325EN	—	—	—	—
B40400EN	—	—	—	—

Dimensions are nominal.

# Copper-Brute (175-400) Water Heater Specifications



## Copper-Brute™ Convertible Models

NATURAL GAS AND LIQUID PROPANE GAS

Indoor <sup>1</sup> Model Number	Input BTU/Hr.	LP Input BTU/Hr.	Indoor Output <sup>2</sup> BTU/Hr.	Temperature Rise Across Heater Gallons Per Hour Delivered		Gas Connection Size		Water Conn. in.	Approx. Shipping Weight lbs.
				100°F	140°F	Natural in.	Propane in.		
B4017SIN	175,000	—	142,000	170	122	3/4	1/2	1 1/2	275
B40250IN	250,000	—	204,000	245	175	3/4	1/2	1 1/2	305
B40325IN	325,000	—	263,000	316	226	3/4	1/2	1 1/2	345
B40400IN	399,000	—	324,000	389	278	3/4	1/2	1 1/2	380
Outdoor Model Number	Input BTU/Hr.	LP Input BTU/Hr.	Outdoor Output <sup>2</sup> BTU/Hr.	Temperature Rise Across Heater Gallons Per Hour Delivered		Gas Connection Size		Water Conn. in.	Approx. Shipping Weight lbs.
				100°F	140°F	Natural in.	Propane in.		
B40175EN	175,000	—	140,000	168	120	3/4	1/2	1 1/2	275
B40250EN	250,000	—	200,000	240	171	3/4	1/2	1 1/2	305
B40325EN	325,000	—	260,000	312	223	3/4	1/2	1 1/2	345
B40400EN	399,000	—	320,000	384	274	3/4	1/2	1 1/2	380
Indoor <sup>1</sup> Model Number	Input kW/Hr.	LP Input kW/Hr.	Indoor Output <sup>2</sup> kW/Hr.	Temperature Rise Across Heater Liters Per Hour Delivered		Gas Connection Size		Water Conn. mm.	Approx. Shipping Weight kg.
				38°C	60°C	Natural mm.	Propane mm.		
B4017SIN	—	—	—	—	—	19	13	38	275
B40250IN	—	—	—	—	—	19	13	38	305
B40325IN	—	—	—	—	—	19	13	38	345
B40400IN	—	—	—	—	—	19	13	38	380
Outdoor Model Number	Input kW/Hr.	LP Input kW/Hr.	Outdoor Output <sup>2</sup> kW/Hr.	Temperature Rise Across Heater Liters Per Hour Delivered		Gas Connection Size		Water Conn. mm.	Approx. Shipping Weight kg.
				38°C	60°C	Natural mm.	Propane mm.		
B40175EN	—	—	—	—	—	19	13	38	—
B40250EN	—	—	—	—	—	19	13	38	—
B40325EN	—	—	—	—	—	19	13	38	—
B40400EN	—	—	—	—	—	19	13	38	—

Standard pumps provided based on water hardness. Hardness must be known before ordering. “Soft” water contains up to 7.5 grains per gallon. “Normal” water measures 7.6 through 17 grains per gallon; and “Hard” water measures over 17 grains per gallon.

### FOR INDOOR MODELS

For LP Models, change suffix “N” to “P”. Indoor configuration includes the separate draft hood. All units feature: System 1 Standing Pilot; Pump Delay; All Bronze Pump; Flow Switch (mounted and wired); and Remote Aquastat (E-144)

### FOR OUTDOOR MODELS

For LP Models, change suffix “N” to “P”. Above models include: Standing Pilot Ignition; Flow Switch (mounted and wired); All Bronze Pump and Fittings; and Remote Aquastat (E-144). Pump supplied for units 175 to 1825 sized for normal water (7-17 Grain Hardness). For hard or soft water pumps please consult factory.

- Notes: 1. Indoor draft hood required for all indoor applications.  
 B40175 needs p/n R0318702  
 B40250 needs p/n R0318713  
 B40325 needs p/n R0318704  
 B40400 needs p/n R0318705

2. Input and output must be derated 4% per 1000 feet above sea level when installed above 2000 feet altitude.  
 3. All dimensions are nominal.

# Copper-Brute II (500-1825)

## Water Heater Dimensions

Illustrated dimensions are shown in inches.

### Copper-Brute™ Energy Saver Models

NATURAL GAS AND LIQUID PROPANE GAS

Indoor Model Number	A in.	B in.	C in.	V in.
B40500IN	39 <sup>5</sup> / <sub>8</sub>	39 <sup>5</sup> / <sub>8</sub>	23 <sup>5</sup> / <sub>8</sub>	10
B40600IN	38 <sup>1</sup> / <sub>2</sub>	44 <sup>5</sup> / <sub>8</sub>	22 <sup>5</sup> / <sub>8</sub>	12
B40715IN	44 <sup>1</sup> / <sub>4</sub>	50 <sup>1</sup> / <sub>4</sub>	22 <sup>5</sup> / <sub>8</sub>	12
B40850IN	50 <sup>5</sup> / <sub>8</sub>	56 <sup>5</sup> / <sub>8</sub>	21 <sup>5</sup> / <sub>8</sub>	14
B41010IN	58	64	20 <sup>5</sup> / <sub>8</sub>	16
B41200IN	66 <sup>1</sup> / <sub>4</sub>	72 <sup>1</sup> / <sub>4</sub>	20 <sup>5</sup> / <sub>8</sub>	16
B41430IN	76	82	19 <sup>5</sup> / <sub>8</sub>	18
B41670IN	85 <sup>3</sup> / <sub>8</sub>	91 <sup>3</sup> / <sub>8</sub>	19 <sup>5</sup> / <sub>8</sub>	18
B41825IN	92 <sup>1</sup> / <sub>4</sub>	98 <sup>1</sup> / <sub>4</sub>	19 <sup>5</sup> / <sub>8</sub>	18

Outdoor Model Number	A in.	B in.		
B40500EN	33 <sup>3</sup> / <sub>4</sub>	39 <sup>3</sup> / <sub>4</sub>		
B40600EN	38 <sup>3</sup> / <sub>4</sub>	44 <sup>3</sup> / <sub>4</sub>		
B40715EN	44 <sup>1</sup> / <sub>4</sub>	50 <sup>1</sup> / <sub>4</sub>		
B40850EN	50 <sup>3</sup> / <sub>4</sub>	56 <sup>3</sup> / <sub>4</sub>		
B41010EN	58	64		
B41200EN	66 <sup>1</sup> / <sub>4</sub>	72 <sup>1</sup> / <sub>4</sub>		
B41430EN	76	82		
B41670EN	85 <sup>1</sup> / <sub>2</sub>	91 <sup>1</sup> / <sub>2</sub>		
B41825EN	92 <sup>1</sup> / <sub>4</sub>	98 <sup>1</sup> / <sub>4</sub>		

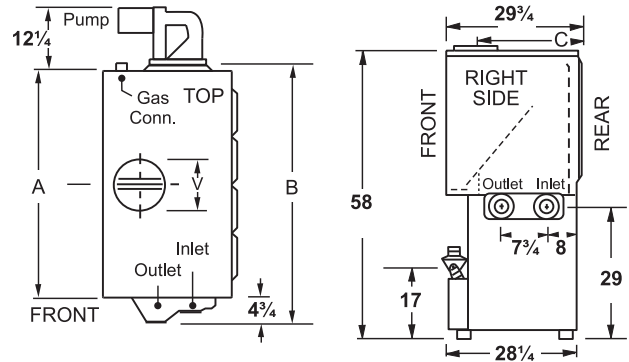
Indoor Model Number	A mm.	B mm.	C mm.	V mm.
B40500IN	—	—	—	—
B40600IN	—	—	—	—
B40715IN	—	—	—	—
B40850IN	—	—	—	—
B41010IN	—	—	—	—
B41200IN	—	—	—	—
B41430IN	—	—	—	—
B41670IN	—	—	—	—
B41825IN	—	—	—	—

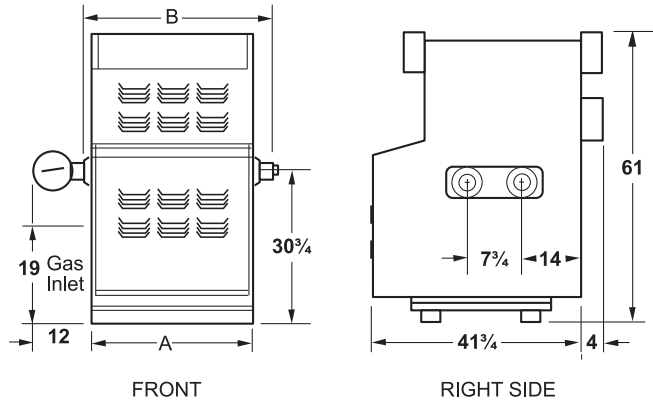
Outdoor Model Number	A mm.	B mm.		
B40500EN	—	—		
B40600EN	—	—		
B40715EN	—	—		
B40850EN	—	—		
B41010EN	—	—		
B41200EN	—	—		
B41430EN	—	—		
B41670EN	—	—		
B41825EN	—	—		

All dimensions are nominal.

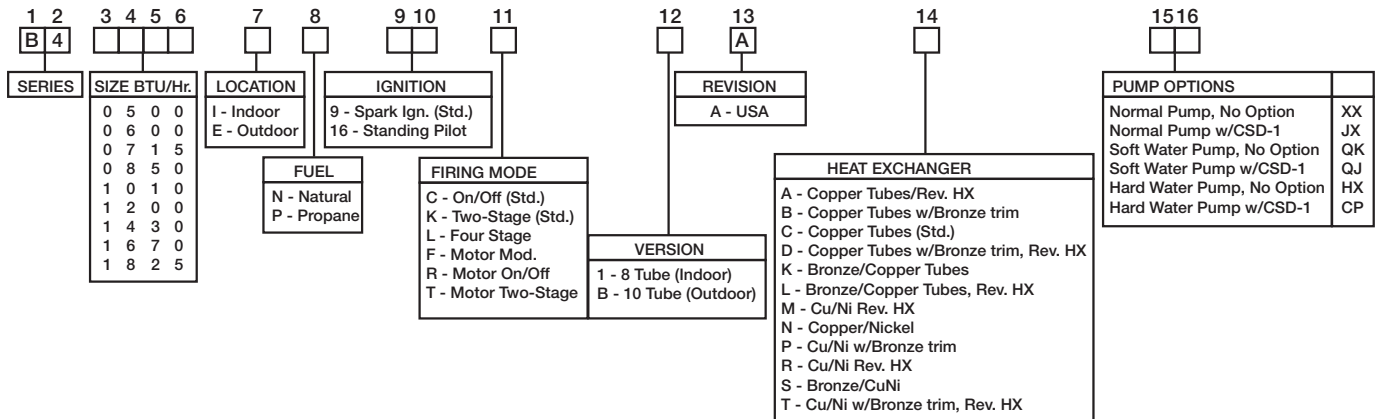
### Indoor Models



### Outdoor Models



# Copper-Brute II (500-1825) Water Heater Specifications



## Copper-Brute™ Energy Saver Models

NATURAL GAS AND LIQUID PROPANE GAS

Indoor Model Number	Input <sup>1</sup> BTU/Hr.	LP Input BTU/Hr.	Indoor Output <sup>2</sup> BTU/Hr.	Temperature Rise Across Heater Gallons Per Hour Delivered			Gas Connection Size <sup>2,3</sup>		Water Conn. in.	Approx. Shipping Weight lbs.	
				90°F	100°F	140°F	Natural in.	Propane in.			
B40500IN	500,000	—	405,000	540	486	347	1	3/4	1	2	745
B40600IN	600,000	—	486,000	648	583	417	1	3/4	1	2	835
B40715IN	715,000	—	579,000	772	695	496	1	3/4	1	2	905
B40850IN	850,000	—	689,000	918	826	590	1	1 1/2	3/4 1 3/4	2	955
B41010IN	1,010,000	—	818,000	1091	982	701	1 1/4	—	1 1 1/4	2 1/2	1075
B41200IN	1,200,000	—	972,000	1296	1166	833	1 1/4	—	1 1 1/4	2 1/2	1200
B41430IN	1,430,000	—	1,158,000	1544	1390	993	1 1/4	—	1 1/4	2 1/2	1345
B41670IN	1,670,000	—	1,353,000	1804	1623	1159	1 1/4	1 1/2	1 1/4	2 1/2	1430
B41825IN	1,825,000	—	1,478,000	1971	1774	1267	1 1/4	1 1/2	1 1/4	2 1/2	1480

Indoor Model Number	Input <sup>1</sup> BTU/Hr.	LP Input BTU/Hr.	Indoor Output <sup>2</sup> BTU/Hr.	Temperature Rise Across Heater Gallons Per Hour Delivered			Gas Connection Size <sup>2,3</sup>		Water Conn. in.	Approx. Shipping Weight lbs.	
				90°F	100°F	140°F	Natural in.	Propane in.			
B40500EN	500,000	—	405,000	540	486	347	1	3/4	1	2	745
B40600EN	600,000	—	486,000	648	583	417	1	3/4	1	2	835
B40715EN	715,000	—	579,000	772	695	496	1	3/4	1	2	905
B40850EN	850,000	—	689,000	918	826	590	1	1 1/2	3/4 1 3/4	2	955
B41010EN	1,010,000	—	818,000	1091	982	701	1 1/4	—	1 1 1/4	2 1/2	1075
B41200EN	1,200,000	—	972,000	1296	1166	833	1 1/4	—	1 1 1/4	2 1/2	1200
B41430EN	1,430,000	—	1,158,000	1544	1390	993	1 1/4	—	1 1/4	2 1/2	1345
B41670EN	1,670,000	—	1,353,000	1804	1623	1159	1 1/4	1 1/2	1 1/4	2 1/2	1430
B41825EN	1,825,000	—	1,478,000	1971	1774	1267	1 1/4	1 1/2	1 1/4	2 1/2	1480

Indoor Model Number	Input <sup>1</sup> kW/Hr.	LP Input kW/Hr.	Indoor Output <sup>2</sup> kW/Hr.	Temperature Rise Across Heater Liters Per Hour Delivered			Gas Connection Size <sup>2,3</sup>		Water Conn. mm.	Approx. Shipping Weight kg.
				32°C	38°C	60°C	Natural mm.	Propane mm.		
B40500IN	—	—	—	—	—	—	—	—	—	—
B40600IN	—	—	—	—	—	—	—	—	—	—
B40715IN	—	—	—	—	—	—	—	—	—	—
B40850IN	—	—	—	—	—	—	—	—	—	—
B41010IN	—	—	—	—	—	—	—	—	—	—
B41200IN	—	—	—	—	—	—	—	—	—	—
B41430IN	—	—	—	—	—	—	—	—	—	—
B41670IN	—	—	—	—	—	—	—	—	—	—

Standard pumps provided based on water hardness. Hardness must be known before ordering. "Soft" water contains up to 7.5 grains per gallon. "Normal" water measures 7.6 through 17 grains per gallon; and "Hard" water measures over 17 grains per gallon.

### FOR INDOOR MODELS & OUTDOOR MODELS

For propane models, change "N" to "P". Outdoor units include Outdoor Vent Terminal and Outdoor Combustion Terminal. Above models include: Hot Surface Ignition; Flow Switch (mounted and wired); All Bronze Fitted Pump; Pump Delay and Remote Sensor. Pump supplied are sized for normal water (7-17 Grain Hardness). For hard or soft water pumps please consult factory. No drafthood required on size 500-1825 outdoor units.

- Notes:
1. Input and output must be derated 4% per 1000 feet above sea level when installed above 2000 feet altitude.
  2. When two gas connections are shown, the smaller applies to the standard gas train, while the larger applies to optional trains such as four stage or motorized gas valves.
  3. All dimensions are nominal.

## Standard Features

- Thermal efficiency up to 85%
- ASME 160 psi working pressure heat exchanger
- ASME "H" stamp, designed and certified for potable water use
- Flanged bronze water connections
- Glass-lined headers
- External header gaskets
- 125 psi (861 kPa) ASME rated pressure relief valve
- Flow switch, mounted and wired
- Temperature/pressure gauge
- Pump, mounted and wired
- Multiple operating gas valve/pressure regulators
- Manual "A" gas valve
- Washable intake air filter
- Multiple, removable burner trays
- Stainless steel burners
- Built-in draft fan for Category I or III vent systems
- Air pressure switch
- Burner site glass
- 24V control system
- 115/24VAC transformer
- Ignitor access panels
- Energy Management Monitor (EM<sup>2</sup>) pump time delay
- Manual reset high limit
- Automatic reset high limit (500-2000 only)
- Electronic PID staging control with LCD and touchpad
- PC board for electrical connections
- External controller connections with selector switch
- Hot surface ignition
- On/Off toggle switch
- Pump time delay
- Diagnostic lights
- Less than 10 ppm NOx (500-2000 only)
- Less than 30 ppm NOx (200-400 only)
- All models can be converted to either indoor use or outdoor use. For outdoor use, you must order exhaust vent and air intake vent (consult factory for part numbers)

## Optional Equipment

- Copper-nickel heat exchanger
- Normally open vent valve (500-2000 only, see IRI Package)
- Low water cutoff
- Motorized gas safety valve (500-2000, see LDS Package)
- Double stack stand (500-2000 only)
- Reverse Heat Exchanger - switches the inlet and outlet to left side and pump to the right side
- Indoor Venting Accessories (required for sidewall venting)
- CSD-1 Package includes:  
Size 500-2000:  
Single Try Ignition, High and Low Gas Pressure Switches, and Gas Regulator.  
Excludes Low Water Cutoff.
- IRI Package, added to the CSD-1 package includes:  
Size 500-2000:  
Single Try Ignition, High and Low Gas Pressure Switches with Manual reset, Normally Open Vent Valve, Safety Valve with Gas Regulator and Leak Test Valve.  
Excludes Low Water Cutoff
- LDS Package includes:  
Size 500-1000:  
Safety Valve with Gas Regulator, High Gas Pressure Switch and Leak Test Valve.  
Size 1250-2000:  
Solenoid Safety Valve, Motorized Valve with Proof of Closure, Leak Test Valve, High and Low Gas Pressure Switches.

## Clearances

APPLIANCE SURFACE	REQUIRED CLEARANCE FROM COMBUSTIBLE MATERIAL		SUGGESTED SERVICE ACCESS CLEARANCES	
	inch	cm	inch	cm
Left Side	1	2.5	24	61
Right Side	1	2.5	24	61
Top	1	2.5	12	30
Back*	1	2.5	12	30
Front	1	2.5	36	91
Vent	Per venting supplier's instructions			

\*When vent and/or air is connected to the back, 36" (91cm) is suggested.

## Motor Electrical Data

Model Numbers	WATER CATEGORY			Current (Amps)		
	Soft	Power (HP) Normal	Hard	Soft	Normal	Hard
BWCV0200	1/8	1/8	3/4	2.8	2.8	7.2
BWCV0300	1/8	1/8	3/4	2.8	2.8	7.2
BWCV0400	1/8	1/8	3/4	2.8	2.8	7.2
BWCV0500	1/8	1/8	3/4	2.8	2.8	7.2
BWCV0750	1/8	1/8	3/4	2.8	2.8	7.2
BWCV1000	1/8	1/8	3/4	2.8	5.2	7.2
BWCV1250	1/8	1/8	3/4	2.8	5.2	7.2
BWCV1500	1/8	3/4	3/4	2.8	7.2	7.2
BWCV1750	3/4	3/4	3/4	7.2	7.2	7.2
BWCV2000	1	1	1	9.8	9.8	9.8



For U.S. and Canada field service, contact your professional installer or local Bradford White sales representative.

Sales 800-523-2931 • Fax 215-641-1670 / Technical Support 800-334-3393 • Fax 269-795-1089 • Warranty 800-531-2111 • Fax 269-795-1089

International: Telephone 215-641-9400 • Telefax 215-641-9750 / [www.bradfordwhite.com](http://www.bradfordwhite.com)

**BRADFORD WHITE** - CANADA INC. Sales / Technical Support 866-690-0961 / 905-238-0100 • Fax 905-238-0105 / [www.bradfordwhite.com](http://www.bradfordwhite.com)

**Built to be the Best™**

©2008, Bradford White Corporation. All rights reserved.