



MODELS

- 442571 Medium Sink, 9-1/2" bowl depths, WHITE
- 442568 Medium Sink, 9-1/2" bowl depths, ANTHRACITE
- 442569 Medium Sink, 9-1/2" bowl depths, CAFE BROWN
- 442570 Medium Sink, 9-1/2" bowl depths, METALLIC GRAY

FEATURES

- Required outside cabinet Drop In installation: 24"
- Required outside cabinet Undermount : 30"
- 80% solid granite
- Heat resistant up to 536°F
- Unsurpassed cleanability backed by industry leading 7 patents!
- Resistant to scratches, stains and all household acids and alkali solutions
- Template provided with approximate 1/8" reveal
- Drop in clips included
- Limited lifetime warranty

OPTIONAL ACCESSORIES

Sink Grid: 235915

CODE/STANDARDS COMPLIANCE

ANSI Z124.6-97
IAPMO/UPC listed

WARRANTY

BLANCO'S SILGRANIT Series sinks feature a LIMITED LIFETIME WARRANTY to be free of all manufacturing defects under normal use. See our complete warranty for details.

While BLANCO endeavors to provide accurate information, all dimensions are nominal, cannot be guaranteed, and are subject to change or cancellation. BLANCO assumes no responsibility for use of superseded or voided specifications.

JOB INFORMATION

Job Name: _____

Contact: _____

Date Specified: _____

Specifier: _____

Contractor: _____

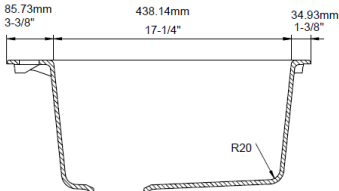
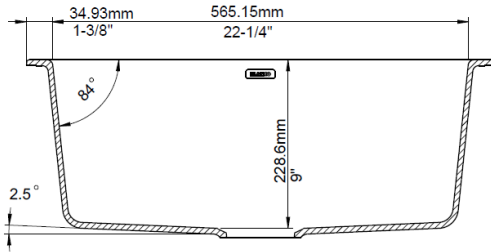
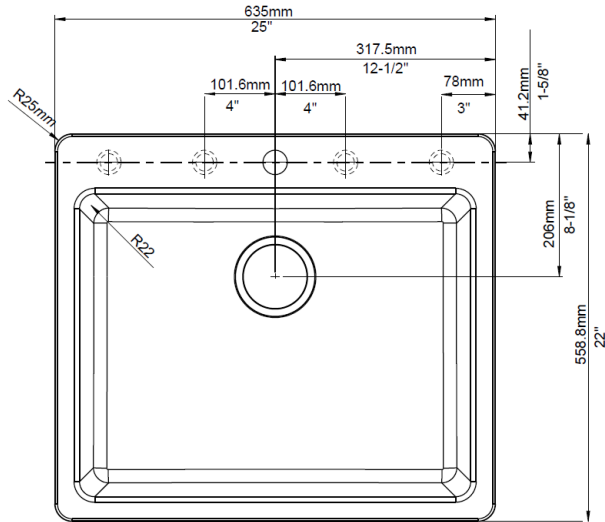


NOMINAL DIMENSIONS

Model 442568 shown

OVERALL	CUT OUT SIZE	SINK DEPTH	DRAIN
25" x 22"	Template provided with approximate 1/8" reveal	9"	3-1/2"

DXF cutout templates available on our website.



BLANCO AMERICA

800.451.5782
www.blancoamerica.com

© 2018 BLANCO AMERICA

01/18

SPEC-001