

### FEATURED MODEL

441315 Medium 1-3/4 Bowl, 10" bowl depths, TRUFFLE

### ADDITIONAL MODELS

- 441309 Medium 1-3/4 Bowl, 10" bowl depths, METALLIC GRAY
- 441310 Medium 1-3/4 Bowl, 10" bowl depths, WHITE
- 441311 Medium 1-3/4 Bowl, 10" bowl depths, BISCUIT
- 441312 Medium 1-3/4 Bowl, 10" bowl depths, ANTHRACITE
- 441313 Medium 1-3/4 Bowl, 10" bowl depths, CAFE BROWN
- 441314 Medium 1-3/4 Bowl, 10" bowl depths, BISCOTTI
- 441474 Medium 1-3/4 Bowl, 10" bowl depths, CINDER

### FEATURES

- New low divide adds functionality and convenience
- Reversible shape make any specification easy
- Divider height: 6" from bowl bottom (4" from rim)
- Overall: 33" x 19"
- Required outside cabinet: 36"
- 80% solid granite
- Heat resistant up to 536°F
- Unsurpassed cleanability backed by industry leading 7 patents!
- Resistant to scratches, stains and all household acids and alkali solutions
- Template provided with approximate 1/8" reveal
- Undermount clips included
- Limited lifetime warranty

### OPTIONAL ACCESSORIES

- Cutting Board: 227346
- Sink Grids: 226828 (large bowl), 226830 (small bowl)

### CODE/STANDARDS COMPLIANCE

ANSI Z124.6-97  
 IAPMO/UPC listed

### WARRANTY

BLANCO'S SILGRANIT II Series sinks feature a LIMITED LIFETIME WARRANTY to be free of all manufacturing defects under normal use. See our complete warranty for details.

While BLANCO endeavors to provide accurate information, all dimensions are nominal, cannot be guaranteed, and are subject to change or cancellation. BLANCO assumes no responsibility for use of superseded or voided specifications.

### JOB INFORMATION

Job Name: \_\_\_\_\_

Contact: \_\_\_\_\_

Date Specified: \_\_\_\_\_

Specifier: \_\_\_\_\_

Contractor: \_\_\_\_\_

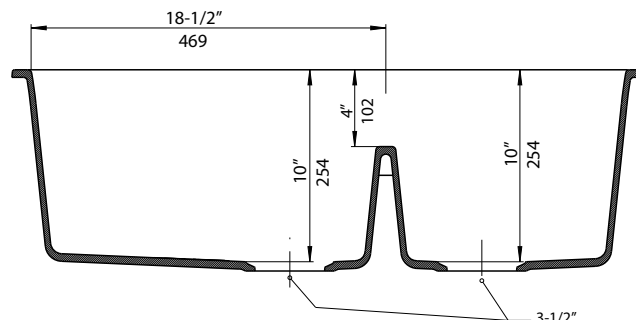
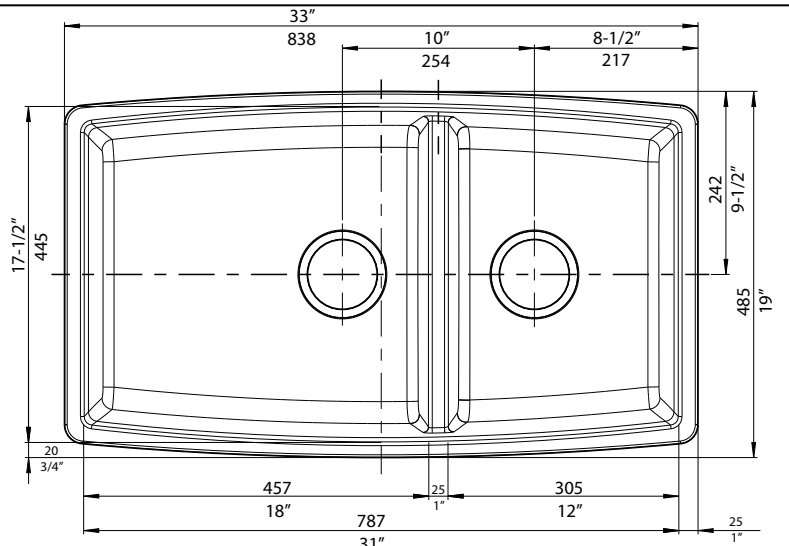


### NOMINAL DIMENSIONS

Model 441315 shown

OVERALL	CUT OUT SIZE	BOWL DEPTHS		DRAIN
		LARGE	SMALL	
33" x 19"	Template provided with approximate 1/8" reveal	10"	10"	3-1/2"

DXF cutout templates available on our website.



**BLANCO AMERICA**

800.451.5782

www.blancoamerica.com

© 2013 BLANCO AMERICA

6/13

SPEC-003