



INFINITY SINGLE SWING

Continuous Hinge Door

1400/1700/1800

Features

- Infinity 1/4" single swing door
- 6" Euro-style pull handle
- 1/4" (6.5 mm) thick tempered glass available in two options
- Anodized aluminum hardware prevents rusting or corrosion
- Available in three heights and four popular widths

Applicable Codes/Standards

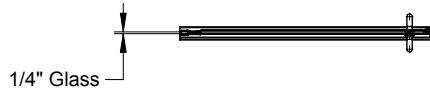
Specified model meets or exceeds the following:

- ASTM C1464-06 and ASTM C1048
- Safety criteria CPSC16 CRF 1201 categories 1 & 2 and ANSI Z97.1
- SGCC Certification required.



1/4" Glass Options*

- Clear (CL)
- AquaGlideXP Clear (XP)

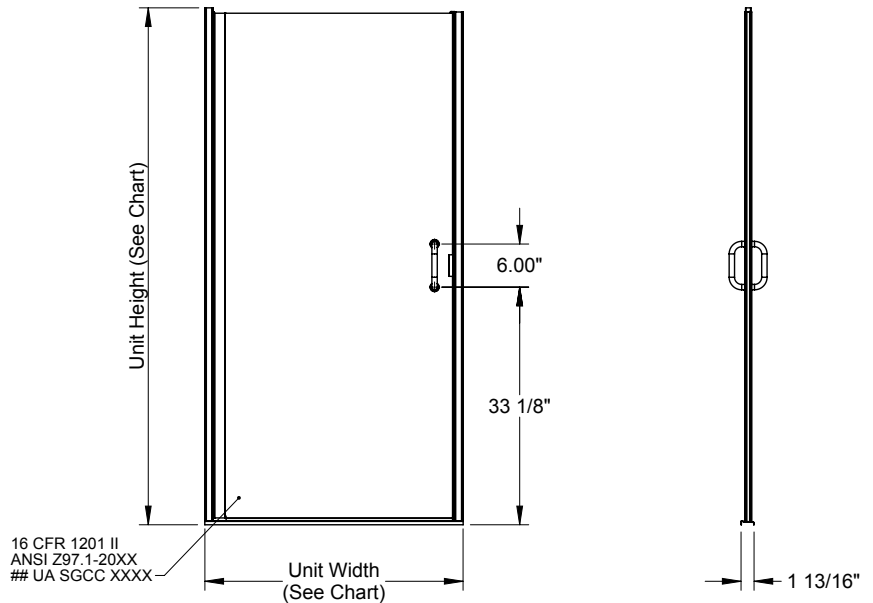


Finish Options*

- Silver (no code)
- Brushed Nickel (BN)
- Oil Rubbed Bronze (OR)

Installation Notes

Install this product according to the installation guide.



*Please refer to our distributor price list for additional glass and finish options.

16 CFR 1201 II
ANSI Z97.1-20XX
UA SGCC XXXX

GLASS SIZE CHART				
	Model Number	1400	1700	1800
	Unit Height	65 9/16"	72"	76"
Unit Width	24"	19 7/8" X 63 7/8" (29.96 lbs)	19 7/8" X 70 5/16" (32.98 lbs)	19 7/8" X 74 5/16" (34.86 lbs)
	28"	23 7/8" X 63 7/8" (35.99 lbs)	23 7/8" X 70 5/16" (39.62 lbs)	23 7/8" X 74 5/16" (41.87 lbs)
	32"	27 7/8" X 63 7/8" (42.02 lbs)	27 7/8" X 70 5/16" (46.26 lbs)	27 7/8" X 74 5/16" (48.89 lbs)
	36"	31 7/8" X 63 7/8" (48.05 lbs)	31 7/8" X 70 5/16" (52.89 lbs)	31 7/8" X 74 5/16" (55.90 lbs)