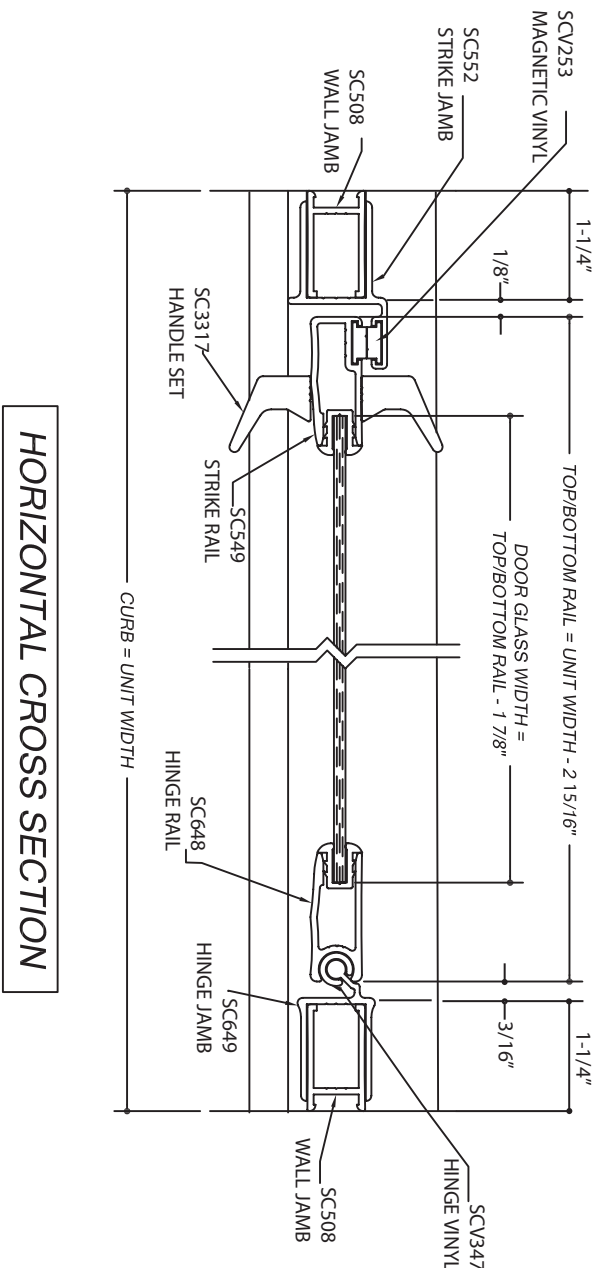
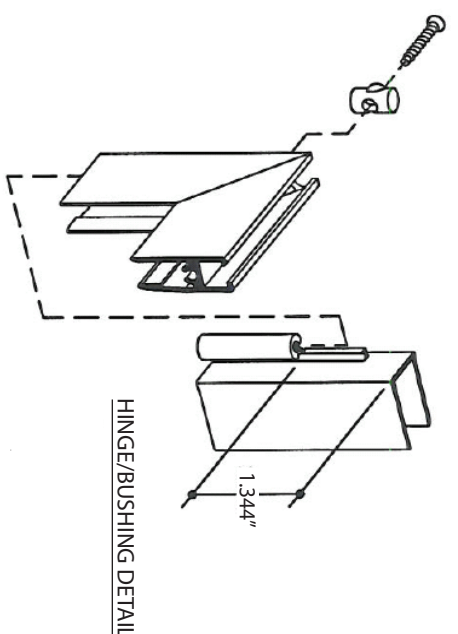
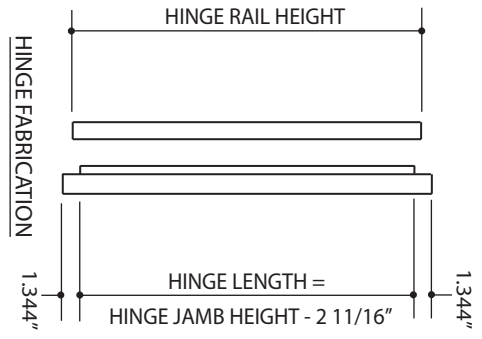


VERTICAL CROSS SECTION



HORIZONTAL CROSS SECTION

REV. #1
DATE: 5/1/07
NOTE: GLAZING MATERIAL FOR ALL KD UNITS AND GLAZED UNITS MUST CONFORM TO ANSI Z97.1 AND CPSC STANDARD 16 CFC 1201 CATEGORY I AND II.

NOTE
USE SCV52 GLAZING VINYL FOR 3/16\"/>

SERIES	UNIT	WIDTH & HEIGHT	DOOR GLASS
110	110	36 X 62-7/8	HEIGHT = 60"
210	210	36 X 66-3/8	HEIGHT = 63-1/2"
510	510	36 X 69-7/8	HEIGHT = 67"

BRIBO
SHOWER ENCLOSURES
7201 Snider Road - Mason, Ohio 45040
Phone (513) 573-1900 Toll Free 1-800-543-1938

CONT. HINGE