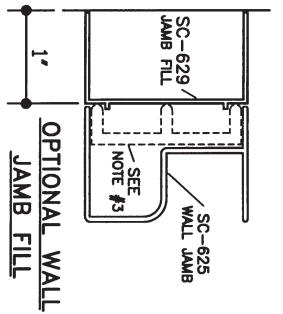
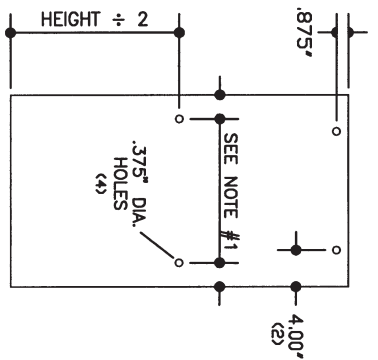


VERTICAL CROSS SECTION

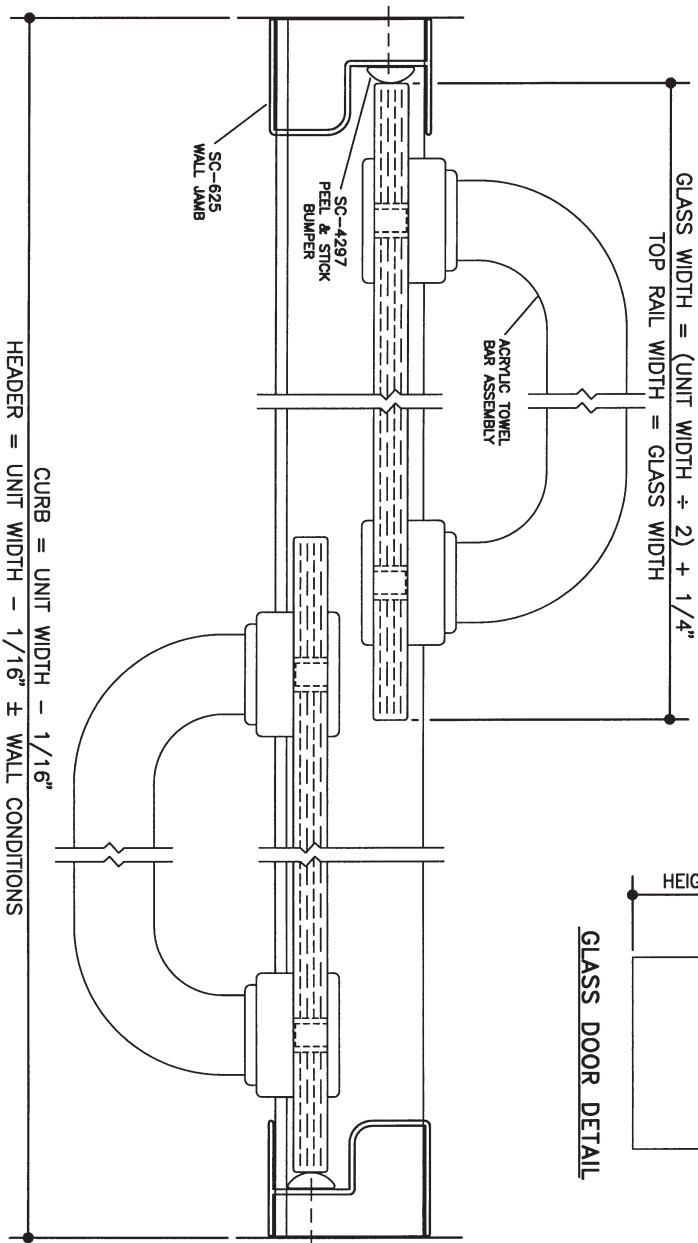


OPTIONAL WALL JAMB FILL

- NOTES:**
1. Clear acrylic towel bar assemblies are available in 18, 22, and 24 inch sizes. All sizes are measured center to center of mounting holes.
 2. To use the SC-632 optional anti-jump insert, the top legs must be removed. Refer to 2150/2850 Wall Jamb Fill instructions (document #7020).



GLASS DOOR DETAIL



HORIZONTAL CROSS SECTION

1/2 SIZE DETAIL

NOTE: Glazing material for all KD units and Glazed units must conform to Ansi Z97.1 and CPSC Standard 16 CFC 1201 Category I and II.

SERIES	UNIT NO.	WIDTH x HEIGHT	DOOR GLASS SIZE
2850 3850 FRAMELESS BATH ENCLOSURE	2850-56	56" x 58 1/4"	(2) 28" x 55 7/8"
	2850-60	66" x 58 1/4"	(2) 30" x 55 7/8"
	3850-48	48" x 71 1/4"	(2) 24" x 68 7/8"

RODA
BY BASCO

7201 Snider Road ■ Mason, Ohio 45040
Phone (513) 573-1900