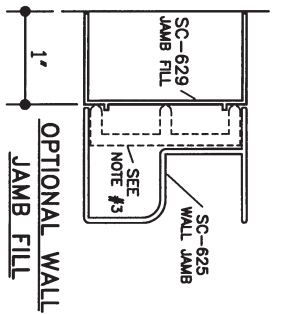
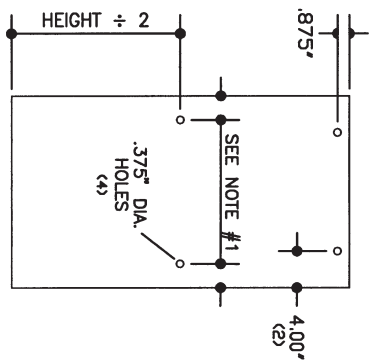


**VERTICAL CROSS SECTION**

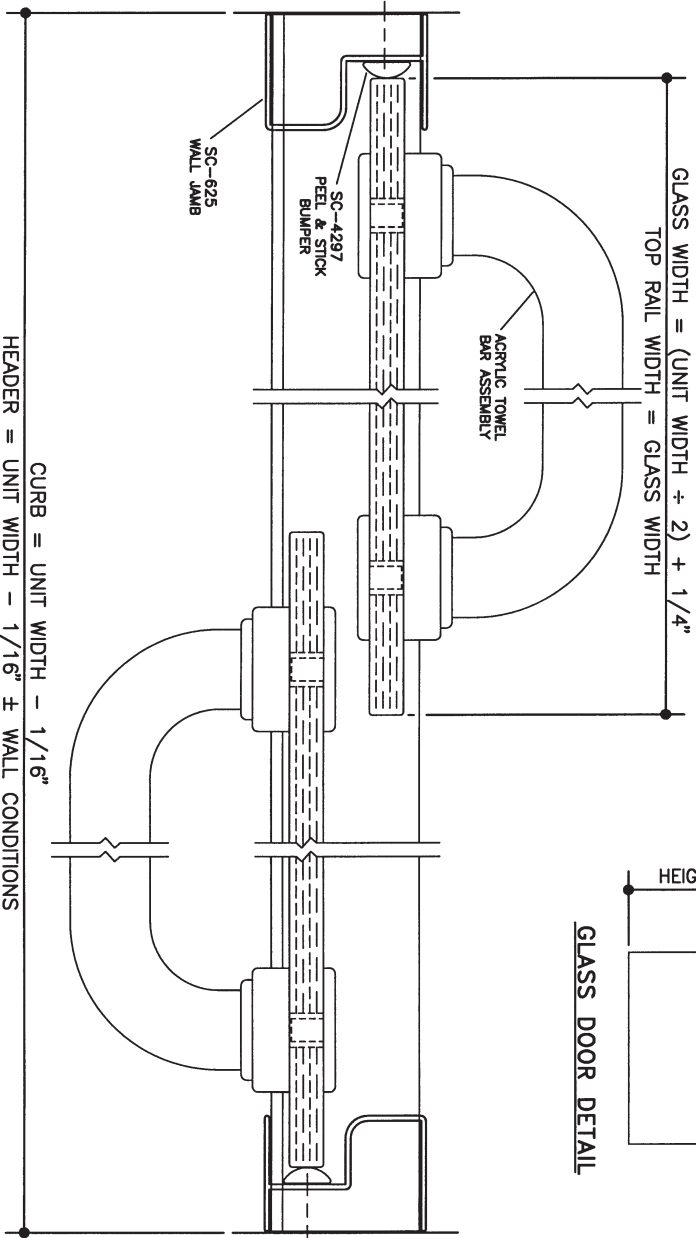


**OPTIONAL WALL JAMB FILL**

- NOTES:**
1. Clear acrylic towel bar assemblies are available in 18, 22, and 24 inch sizes. All sizes are measured center to center of mounting holes.
  2. To use the SC-632 optional anti-jump insert, the top legs must be removed.
  3. Refer to 2150/2850 Wall Jamb Fill instructions (document #7020).



**GLASS DOOR DETAIL**



**HORIZONTAL CROSS SECTION**

**1/2 SIZE DETAIL**

NOTE: Glazing material for all KD units and Glazed units must conform to Ansi Z97.1 and CPSC Standard 16 CFC 1201 Category I and II.

SERIES	UNIT NO.	WIDTH x HEIGHT	DOOR GLASS SIZE
<b>2850</b> <b>3850</b> FRAMELESS BATH ENCLOSURE	2850-56	56" x 58 1/4"	(2) 28" x 55 7/8"
	2850-60	66" x 58 1/4"	(2) 30" x 55 7/8"
	3850-48	48" x 71 1/4"	(2) 24" x 68 7/8"



7201 Snider Road ■ Mason, Ohio 45040  
Phone (513) 573-1900