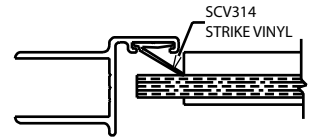


$$X = (\text{GLASS HEIGHT} - 6") / 2$$

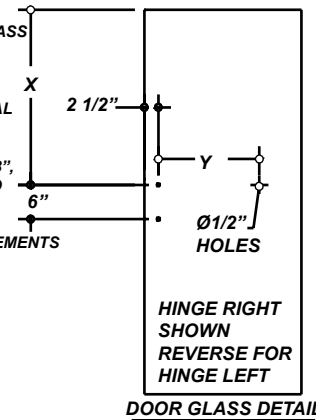
$$Y = 12", 18", 24"$$

NOTES

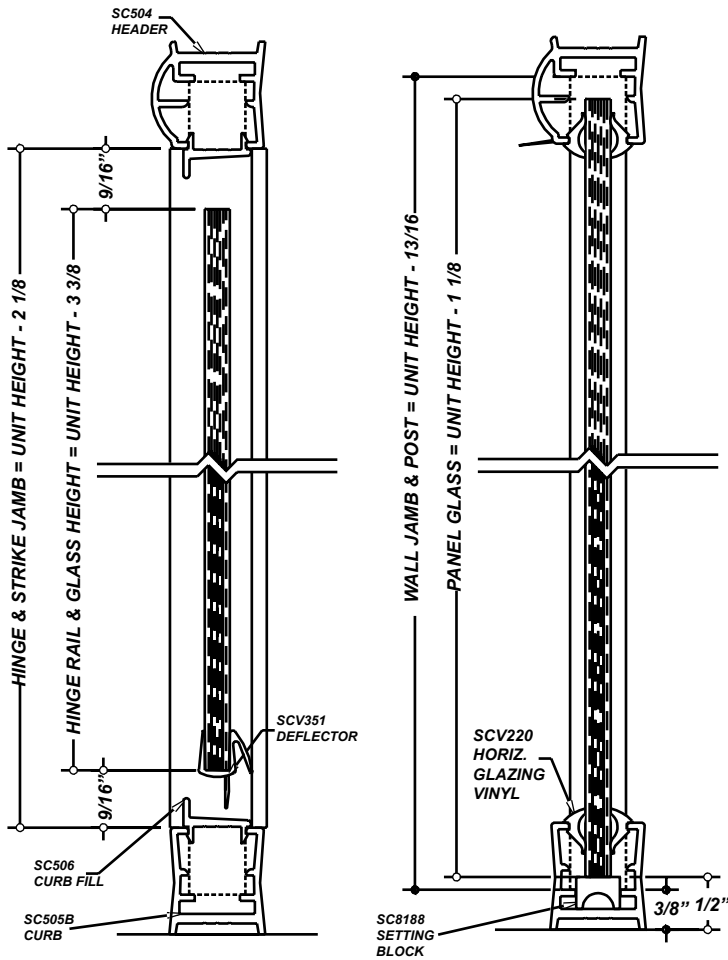
- GLASS AND OVERLAP OF VERTICAL MEMBERS MAY BE ALTERED TO FACILITATE USE OF STANDARD GLASS SIZES OR FOR OUT OF PLUMB WALL CONDITIONS.
- THE SC4030 STRIKE JAMB MAGNET SHOULD BE CENTERED IN THE JAMB WITH EH SCV314 JAMB SEAL VINYL ABOVE AND BELOW IT. (SEE DETAIL)
- TOWEL BAR ASSEMBLIES ARE AVAILABLE IN 12", 18", & 24" SIZES. ALL SIZES ARE MEASURED CENTER TO CENTER OF THE MOUNTING HOLES.
- CENTERLINE DIMENSION REFERS TO THE MEASUREMENTS TAKEN AT THE CENTER OF THE SC505CURB.



STRIKE JAMB DETAIL
ABOVE & BELOW MAGNET

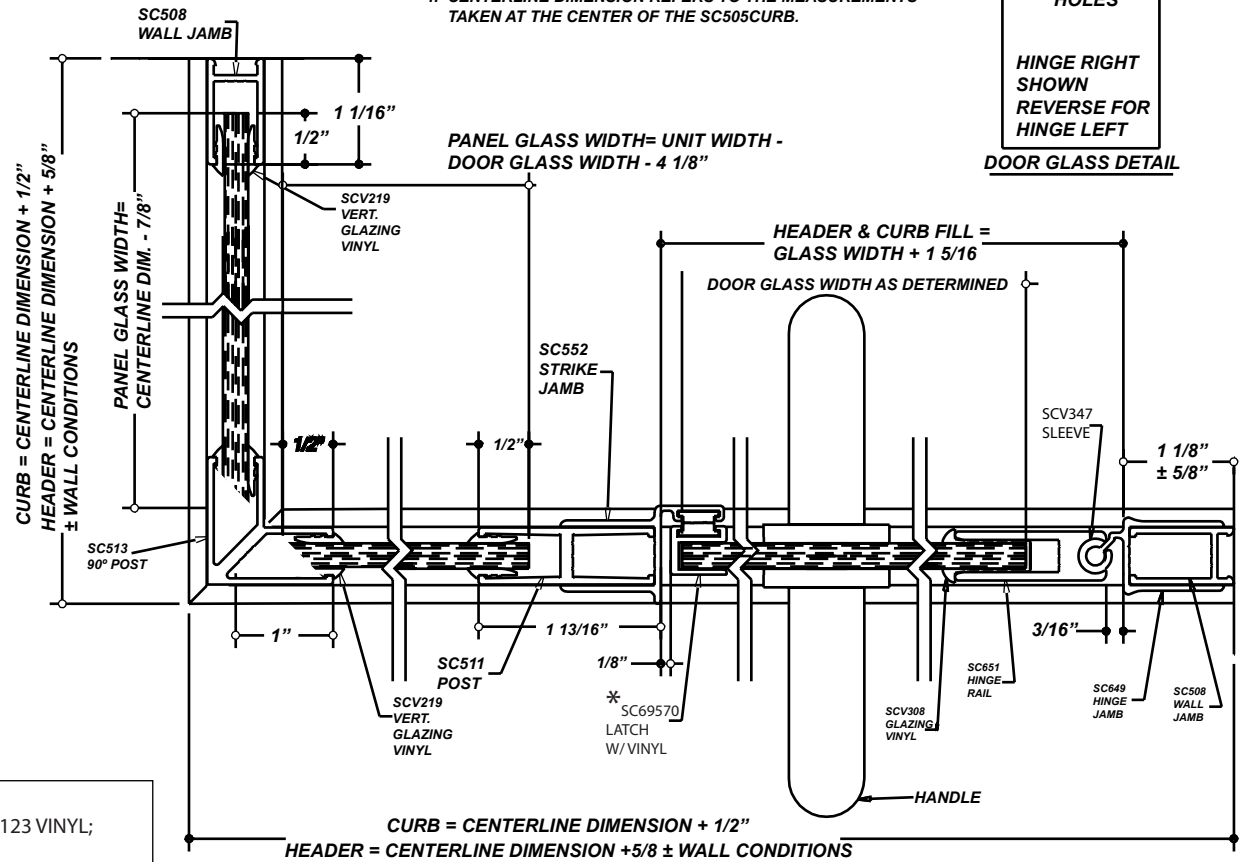


DOOR GLASS DETAIL



VERTICAL CROSS SECTION

* NOTE: SC69570 CONTAINS:
SC784 LATCH : SCV4123 VINYL;
& SC4030 MAGNETS



HORIZONTAL CROSS SECTION

NOTE: GLAZING MATERIAL FOR ALL KD UNITS AND GLAZED UNITS MUST CONFORM TO ANSI Z97.1 AND CPSC STANDARD 16 CFC 1201 CATEGORY I AND II.

REV. #2
06/30/2008

SERIES	UNIT	WIDTH & HEIGHT	DOOR GLASS	PANEL GLASS
1415				
1715	1415	48" X 48" X 68 5/8"	WIDTH AS DETERMINED* HEIGHT= 65 3/8"	WIDTH AS DETERMINED* HEIGHT= 67 1/2"
INFINITY	1715	48" X 48" X 72 1/8"	HEIGHT= 68 7/8"	HEIGHT= 71"
FRAMLESS				
CONT. HINGE				



SHOWER ENCLOSURES
7201 Snider Road - Mason, Ohio 45040
Phone (513) 573-1900 Toll Free 1-800-45-BASCO