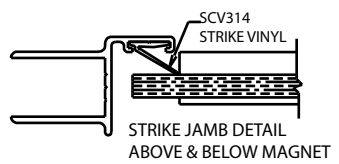
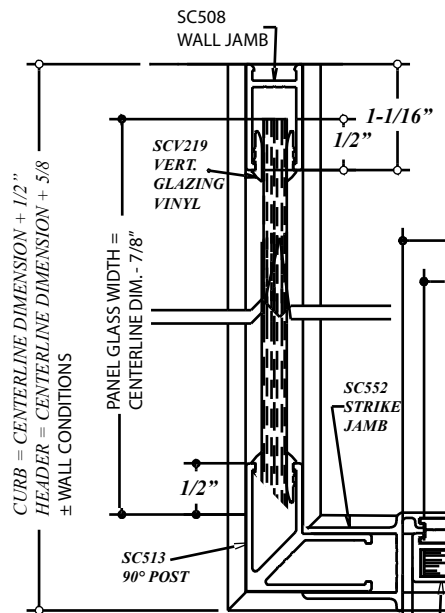


VERTICAL CROSS SECTION

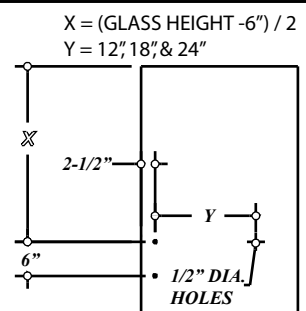
* NOTE: SC69570 CONTAINS:
SC784 LATCH : SCV4123 VINYL;
& SC4030 MAGNETS



STRIKE JAMB DETAIL
ABOVE & BELOW MAGNET

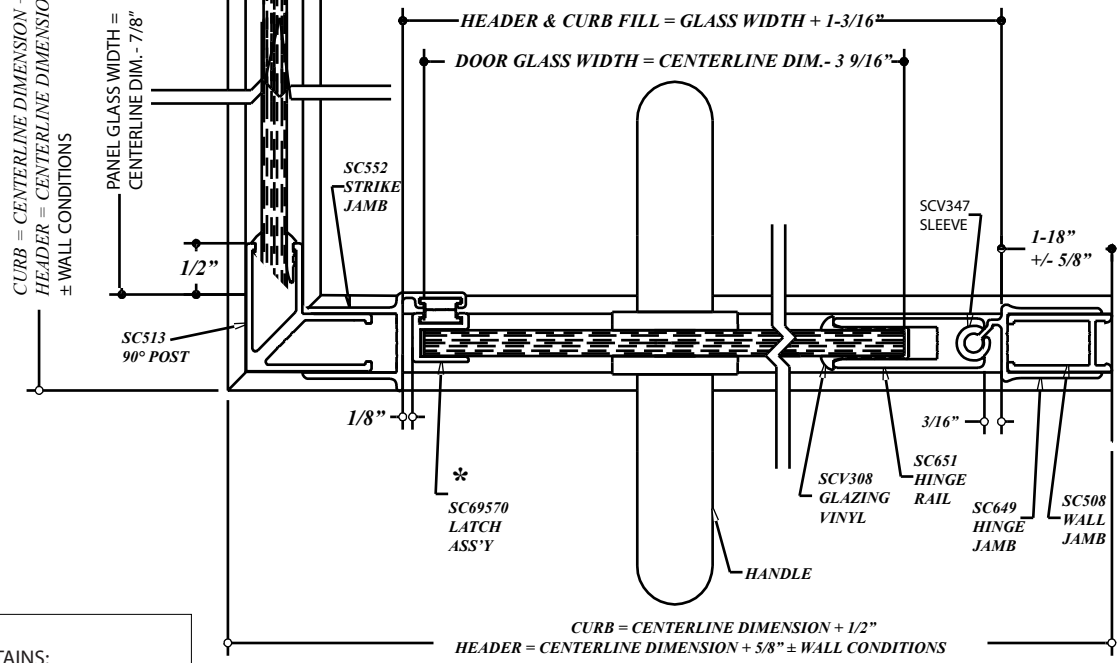


DOOR GLASS DETAIL



HINGE RIGHT
SHOWN
REVERSE FOR
HINGE LEFT

- NOTES**
1. GLASS AND OVERLAP OF VERTICAL MEMBERS MAY BE ALTERED TO FACILITATE USE OF STANDARD GLASS SIZES OR FOR OUT OF PLUMB WALL CONDITIONS.
 2. THE SC4030 STRIKE JAMB MAGNET SHOULD BE CENTERED IN THE JAMB WITH SCV314 JAMB SEAL VINYL ABOVE AND BELOW (SEE DETAIL)
 3. TOWELBAR ASSEMBLIES ARE AVAILABLE IN 12", 18", & 24" SIZES. ALL SIZES ARE MEASURED CENTER TO CENTER OF THE MOUNTING HOLES.
 4. CENTERLINE DIMENSION REFER TO THE MEASUREMENTS TAKE AT THE CENTER OF THE SC505 CURB.



HORIZONTAL CROSS SECTION

NOTE: GLAZING MATERIAL FOR ALL KD UNITS AND GLAZED UNITS MUST CONFORM TO ANZI Z97.1 AND CPSC STANDARD 16 CFC 1201 CATEGORY I AND II.

REV. #2
DATE:06/30/08

SERIES	UNIT WIDTH & HEIGHT	DOOR GLASS	PANEL GLASS
1414	1414 36" X 48" X 68 5/8"	WIDTH AS DETERMINED* HEIGHT = 65 3/8"	WIDTH AS DETERMINED* HEIGHT = 67 1/2"
1714 INFINITY FRAMELESS CONT. HINGE	1714 36" X 48" X 72 1/8"	HEIGHT = 68 7/8"	HEIGHT = 71"

BASCO[®]
SHOWER ENCLOSURES

7201 Snider Road - Mason, Ohio 45040
Phone (513) 573-1900 Toll Free 1 (800) 543-1938