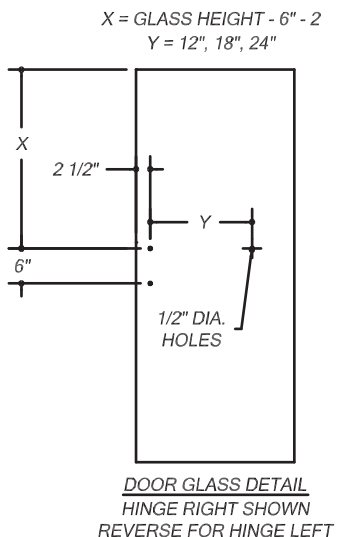
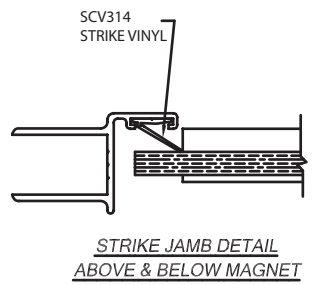


VERTICAL CROSS SECTION



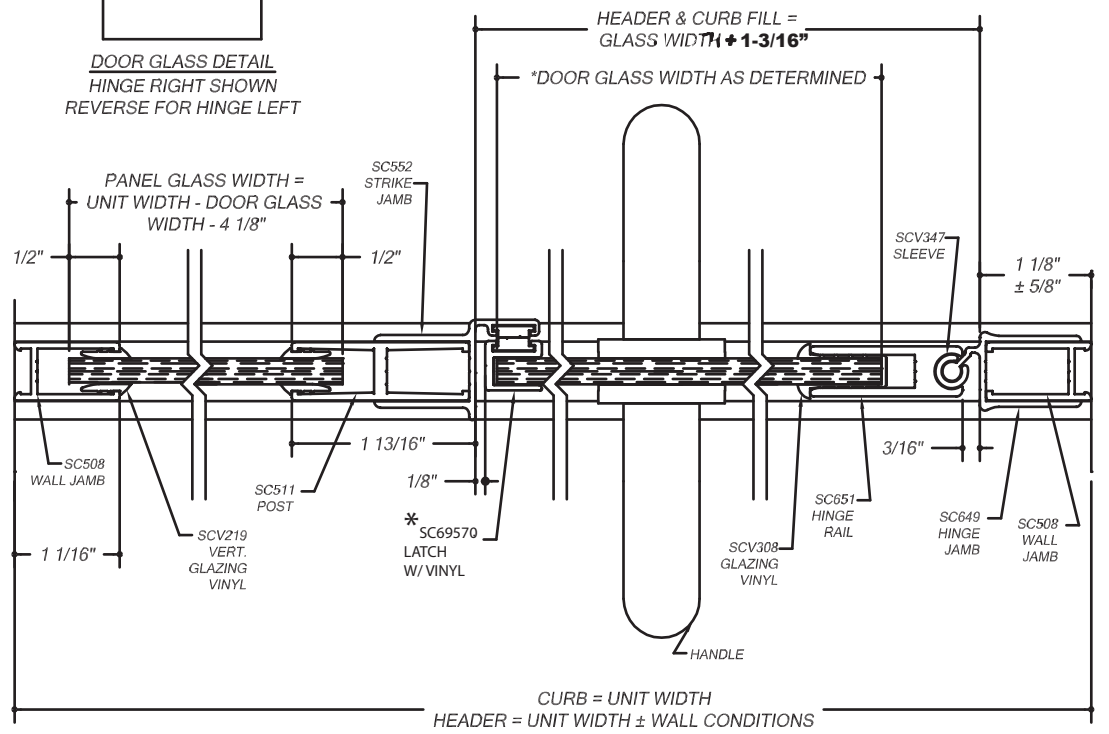
DOOR GLASS DETAIL
HINGE RIGHT SHOWN
REVERSE FOR HINGE LEFT



STRIKE JAMB DETAIL
ABOVE & BELOW MAGNET

- NOTES**
1. GLASS AND OVERLAP OF VERTICAL MEMBERS MAY BE ALTERED TO FACILITATE USE OF STANDARD GLASS SIZES OR FOR OUT PLUMB WALL CONDITIONS.
 2. THE SC4030 STRIKE JAMB MAGNET SHOULD BE CENTERED IN THE JAMB WITH SCV314 JAMB SEAL VINYL ABOVE AND BELOW IT (SEE DETAIL).
 3. TOWEL BAR ASSEMBLIES ARE AVAILABLE IN 12", 18" & 24" SIZES. ALL SIZES ARE MEASURED CENTER TO CENTER OF THE MOUNTING HOLES.

* NOTE: SC69570 CONTAINS:
SC784 LATCH : SCV4123 VINYL;
& SC4030 MAGNETS



HORIZONTAL CROSS SECTION

NOTE: GLAZING MATERIAL FOR ALL KD UNITS AND GLAZED UNITS MUST CONFORM TO ANSI Z97.1 AND CPSC STANDARD 16 CFC 1201 CATEGORY I AND II.

REV.#2
DATE: 06/27/08

SERIES	UNIT	WIDTH & HEIGHT	DOOR GLASS	PANEL GLASS
1413			WIDTH AS DETERMINED*	WIDTH AS DETERMINED*
1713	1413	60" X 68 5/8"	HEIGHT= 65 3/8"	HEIGHT= 67 1/2"
INFINITY				
FRAMLESS	1713	60" X 72 1/8"	HEIGHT= 68 7/8"	HEIGHT= 71"
CONT. HINGE				

BASCO
SHOWER ENCLOSURES
7201 Snider Road - Mason, Ohio 45040
Phone (513) 573-1900 Toll Free 1-800-543-1938