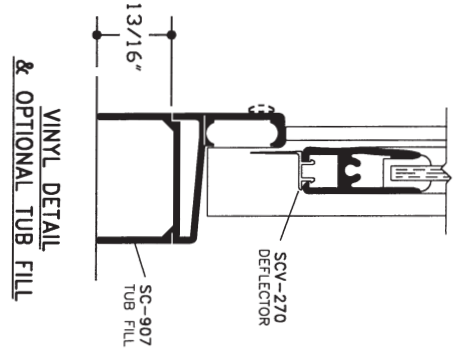
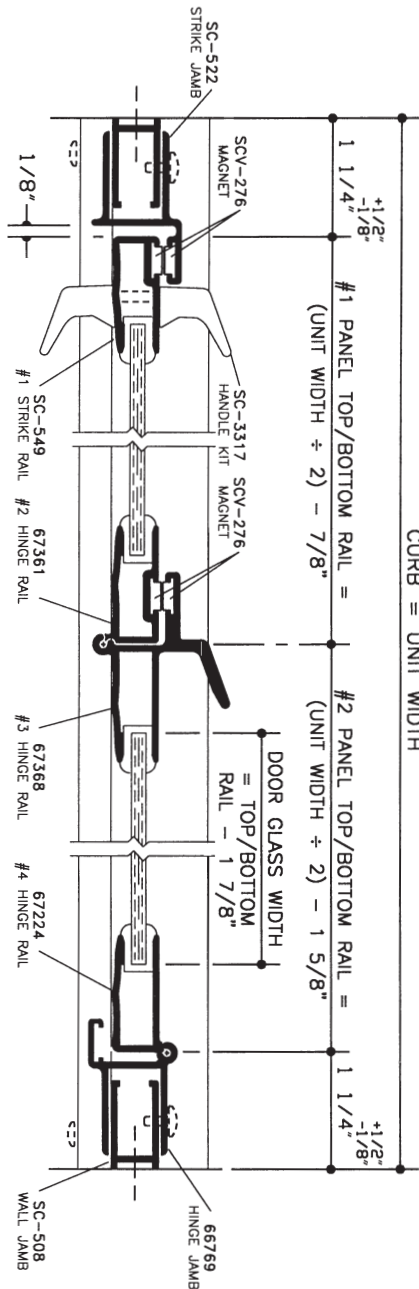


VERTICAL CROSS SECTION



VINYL DETAIL & OPTIONAL TUB FILL


- NOTES:
1. To remove hinge pin set screw, use a 1/16" allen wrench.



HORIZONTAL CROSS SECTION

1/2 SIZE DETAIL

NOTE: Glazing material for all KD units and Glazed units must conform to Ansi Z97.1 and CPSC Standard 16 CFC 1201, Category I and II.

<p><b>SERIES</b></p> <p><b>1100</b></p> <p>BI-FOLD INTRAHINGE SHOWER DOOR</p>	<p><b>MODEL</b></p> <p>1100</p>	<p><b>WIDTH x HEIGHT</b></p> <p>36" x 67"</p>	<p><b>DOOR GLASS SIZE</b></p> <p>Glass Size as Determined</p>	 <p>7201 Snider Road ■ Mason, Ohio 45040 Phone (513) 573-1900</p>
---	---------------------------------	---	---	--