

**67" ICARUS
CAST IRON
SLIPPER TUB**

Cat. No.
CTSN67



L: 67"
W: 29"
H: 22" & 29" (from floor to top of tub)

Depth: 13-1/2" to overflow
17" at drain

Overflow hole: 1-1/2" diameter

Features:

- ▶ Inside finish is white enamel
- ▶ Cast Iron ball and claw feet
- ▶ Pre-drilled overflow hole
- ▶ Tub exterior is white (epoxy)
- ▶ No faucet holes
- ▶ Feet attached and leveled before shipment
- ▶ Tub is thoroughly inspected before shipment

Foot Finishes:

- BP Polished Brass
- CP Polished Chrome
- PN Polished Nickel
- SN Brushed Nickel
- ORB Oil-rubbed Bronze
- WH White

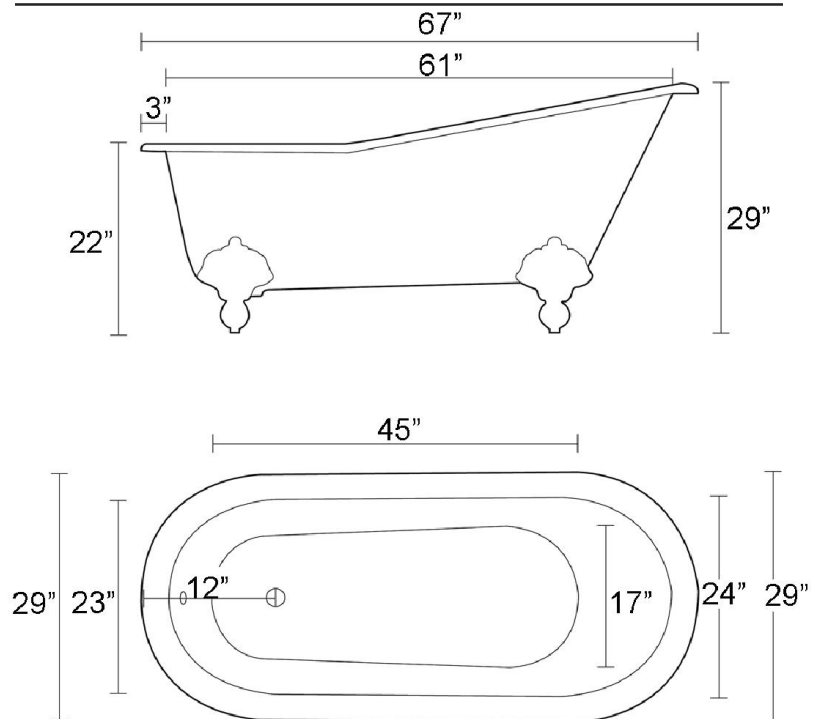


Custom Colors Available (inside of tub is always white enamel):
Painted bathtubs are considered "special order" and are not returnable
\$160 Bisque or Black \$250 Designer Color

The following is recommended for CTSN67 tubs without faucet holes:

- Faucets: part #4602, 7393, or 7410
- Rigid, freestanding supplies: Part #4502
- Leg tub drain: part #5599

Gallon Capacity: 57
Shipping Weight: 410 lbs.
Empty Weight: 300 lbs.
Filled Weight: 776 lbs.



Dimensions and specifications subject to change without notice.