

**GAVIN 54"  
CAST IRON  
SLIPPER TUB**

Cat. No.  
CTS7H54I



L: 54"  
W: 29 1/2"  
H: 22-5/8" - 31-1/2" (from floor to top of tub)

Water depth: 11-3/8" to overflow

**The following is recommended for CTS7H54I tubs:**

- Rim-mounted faucet: part #4601 or 7529
- Straight bath supplies: part #5577
- Leg tub drain: part #5599
- Complete shower unit: Part #4063

Gallon Capacity:	29
Shipping Weight:	385 lbs.
Empty Weight:	275 lbs.
Filled Weight:	518 lbs.

**Features:**

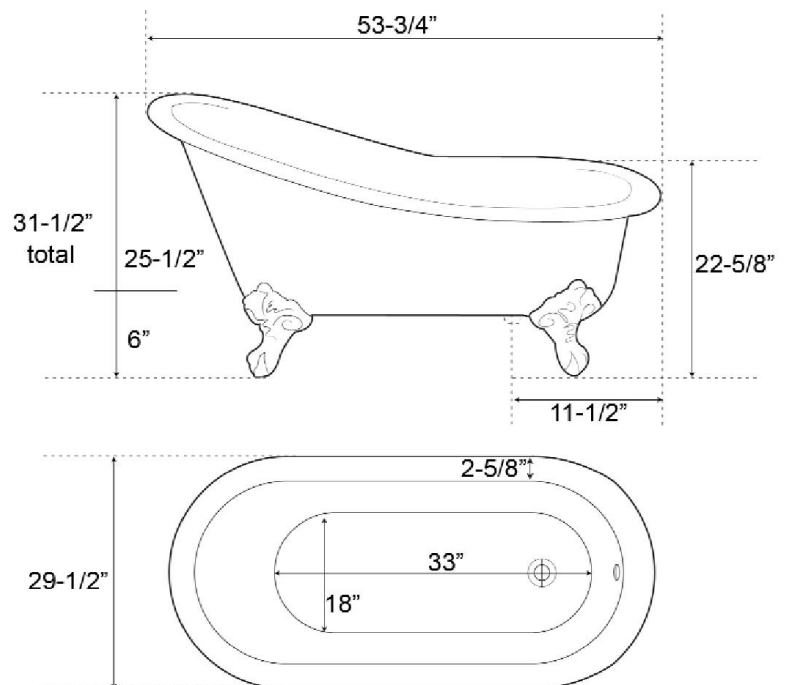
- ▶ Inside finish is white porcelain enamel
- ▶ Cast Iron imperial feet available in 5 finishes
- ▶ Tub exterior is white (epoxy)
- ▶ 7" centers in tub deck
- ▶ Feet are attached and leveled before shipment
- ▶ Tub is thoroughly inspected before shipment

**Foot Finishes:**

- SN** Brushed Nickel
- ORB** Oil-rubbed Bronze
- CP** Polished Chrome
- BP** Polished Brass
- WH** White



**Custom Colors Available** (inside of tub is always white enamel):  
Painted bathtubs are considered "special order" and are not returnable  
\$160 Bisque or Black \$250 Designer Color



Dimensions of fixture are nominal and may vary within the range of tolerances established by ANSI Standard A112.19.2. Dimensions and specifications subject to change without notice.