

**BROCTON
68" CAST IRON
ROLL TOP TUB**

Cat. No.
CTRN67



L: 68"
W: 30 1/2"
H: 23 1/4" (from floor to top of tub)
18 5/8" (from bottom of tub to top of tub)

Features:

- ▶ Inside finish is white enamel
- ▶ Ball and claw feet available in 6 finishes or unfinished
- ▶ Tub exterior is white (epoxy)
- ▶ No faucet holes
- ▶ Non-skid strips
- ▶ Feet are attached and leveled before shipment
- ▶ Tub is thoroughly inspected before shipment

Foot Finishes:

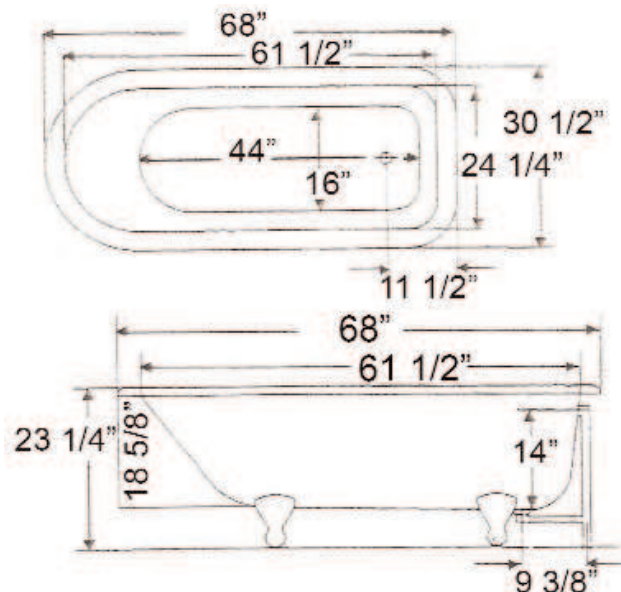
BP Polished Brass
CP Polished Chrome
PN Polished Nickel
SN Brushed Nickel
WH White
ORB Oil-rubbed Bronze

Meets or exceeds the following specifications: A112-19-1M 1994.

Extra Paint Charge (inside of tub is always white enamel):
Bisque Paint - \$160 **Black Paint** - \$160
 Bathtubs painted in bisque or black are considered "special order" and are not returnable.

The following is recommended for CTRN67 tubs without faucet holes:
 •Faucets: part #4602
 •Rigid, freestanding supplies: part #4502
 •Leg tub drain: part #5599

Gallon Capacity: 57
 Shipping Weight: 502 lbs.
 Empty Weight: 309 lbs.
 Filled Weight: 785 lbs.



Dimensions of fixture are nominal and may vary within the range of tolerances established by ANSI Standard A112.19.2. Dimensions and specifications subject to change without notice.