

**DEMILLE
51" ACRYLIC
SLIPPER TUB**

Cat. No.
ATSN51I



L: 51"
W: 26 1/4"
H: 25" - 32 1/8"

Water depth: 16 1/2" to top of tub

The following is recommended for ATSN tubs:

- Faucets: part #4602, 7393 or 7410
- Rigid, freestanding supplies: part #4502
- Leg tub drain: part #5599LT

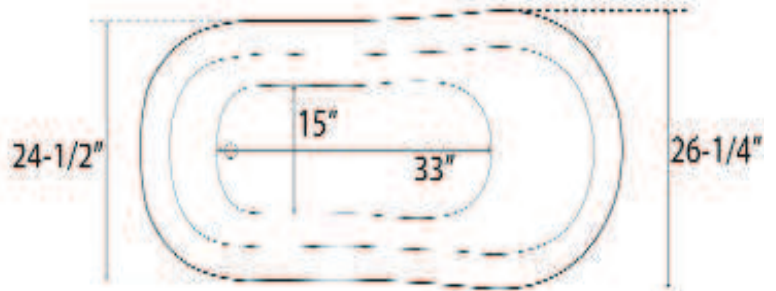
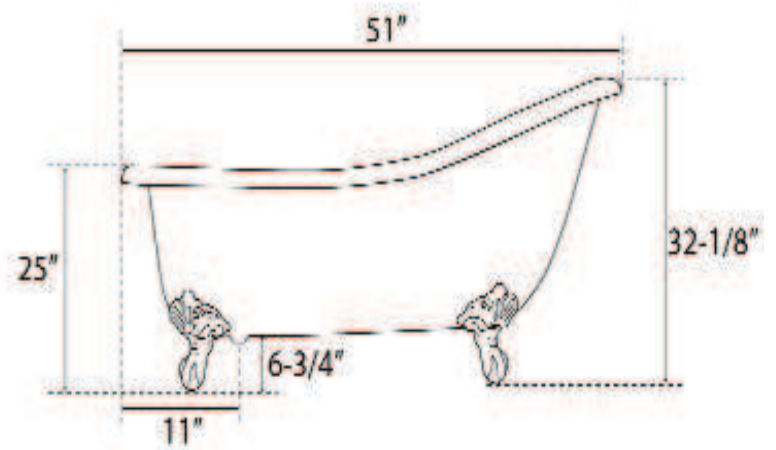
Gallon Capacity: 35
Shipping Weight: 425 lbs.
Empty Weight: 200 lbs.
Filled Weight: 492 lbs.

Features:

- ▶ Interior and exterior walls acrylic sheets
- ▶ Space between walls partially filled with fiberglass & resin
- ▶ Imperial feet available in 4 finishes
- ▶ No faucet holes
- ▶ No overflow
- ▶ Tub feet are attached and leveled before shipment.
- ▶ Tub is thoroughly inspected before shipment

Feet Finishes:

BN Brushed Nickel **PB** Polished Brass
CP Polished Chrome **ORB** Oil Rubbed Bronze



Dimensions of fixture are nominal and specifications subject to change without notice.