

**TINLEY
69" ACRYLIC
RECTANGULAR TUB**

Cat. No.
ATRECN69KF



L: 68 1/2"
W: 31"
H: 23"

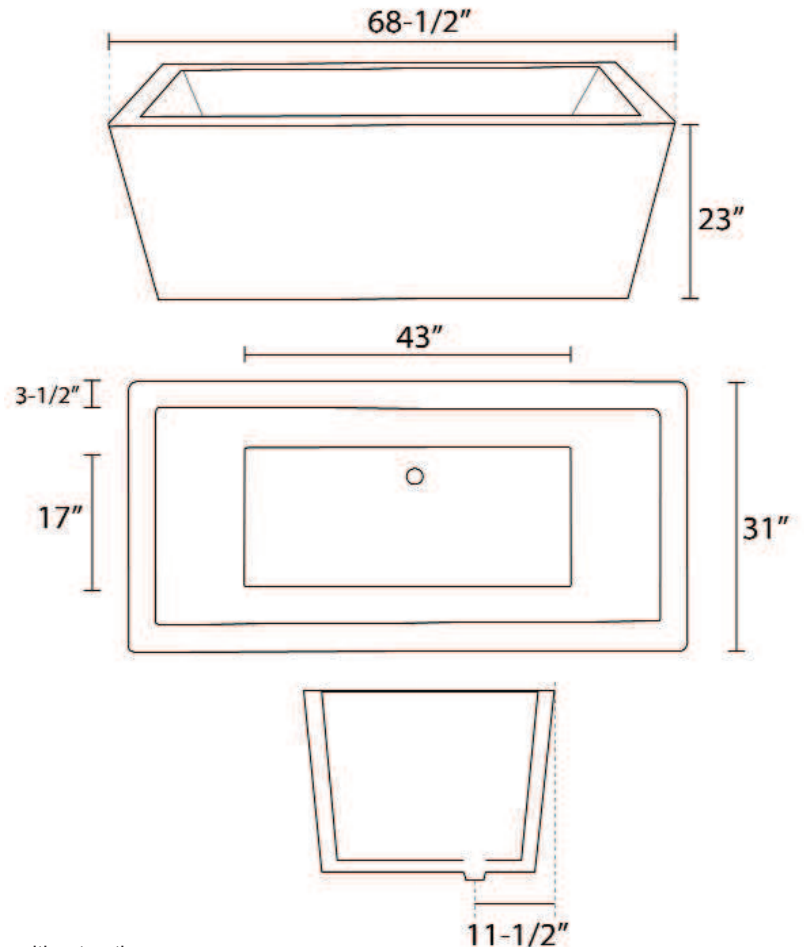
Water depth: 17" to top of tub

The following is recommended for ATRECN69KF tubs:
•Faucets: part #7901 or 7913
•Leg tub drain: part #5599LT

Gallon Capacity: 88
Shipping Weight: 425 lbs.
Empty Weight: 200 lbs.
Filled Weight: 935 lbs.

Features:

- ▶ Interior and exterior walls acrylic sheets
- ▶ Air between sheets provides insulation to help retain warmth
- ▶ Faucet sold separately
- ▶ No faucet holes
- ▶ No overflow
- ▶ Tub is thoroughly inspected before shipment



Dimensions of fixture are nominal and specifications subject to change without notice.