

**ALICIA  
55" ACRYLIC  
ROLL TOP TUB**

Cat. No.  
ATR7H55



L: 54 1/4"  
W: 30"  
H: 22 1/2"

Water depth: 10 1/4" to overflow

**The following is recommended for ATR7H tubs:**

- Rim-mounted faucets: part #4601 or 7529
- Use with Straight Bath Supplies: part #5577
- Leg tub drain: part #5599

Gallon Capacity: 25  
Shipping Weight: 375 lbs.  
Empty Weight: 150 lbs.  
Filled Weight: 359 lbs.

**Features:**

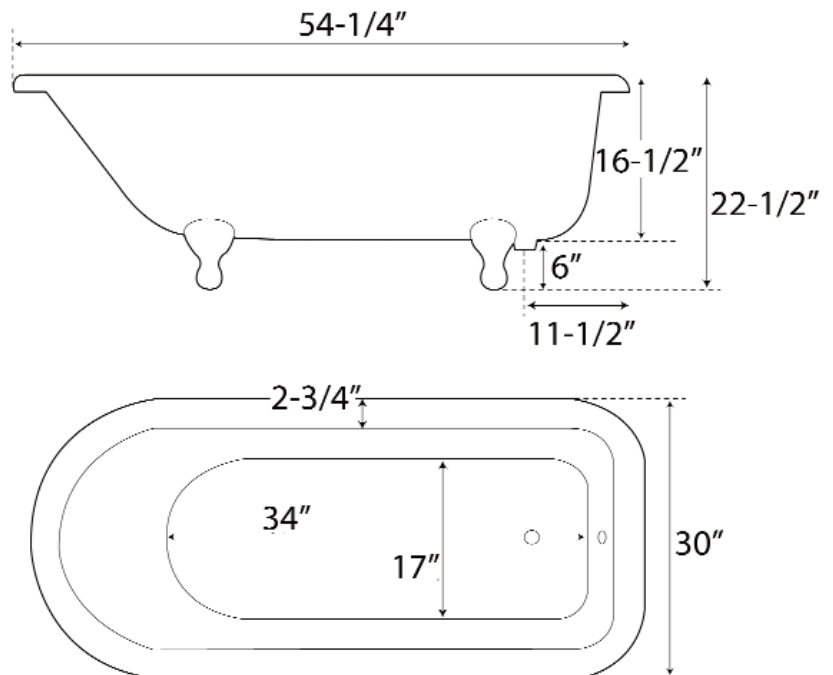
- ▶ Acrylic construction for lighter weight
- ▶ Sloped backrest for comfort
- ▶ Cast Aluminum ball and claw feet available in 4 finishes
- ▶ 7" centers in tub deck
- ▶ Tub feet are attached and leveled before shipment
- ▶ Tub is thoroughly inspected before shipment

**Feet Finishes:**

- BN** Brushed Nickel
- PB** Polished Brass
- CP** Polished Chrome
- ORB** Oil Rubbed Bronze



**Custom Colors Available** (inside of tub is always white enamel):  
Painted bathtubs are considered "special order" and are not returnable  
\$160 Bisque or Black \$250 Designer Color



Dimensions of fixture are nominal and specifications subject to change without notice.