

**GROVER
61" ACRYLIC
SLIPPER TUB**

Cat. No.
ASN61LPE



L: 60 1/4"
W: 28 1/4"
H: 25 1/4" - 31 3/8" (from floor to top of tub)

Water depth: 17 1/2" to top of tub

The following is recommended for ASN61LPE tubs:

- Faucets: part #4602, 7393 or 7410
- Rigid, freestanding supplies: part #4502
- Leg tub drain: part #5599LT

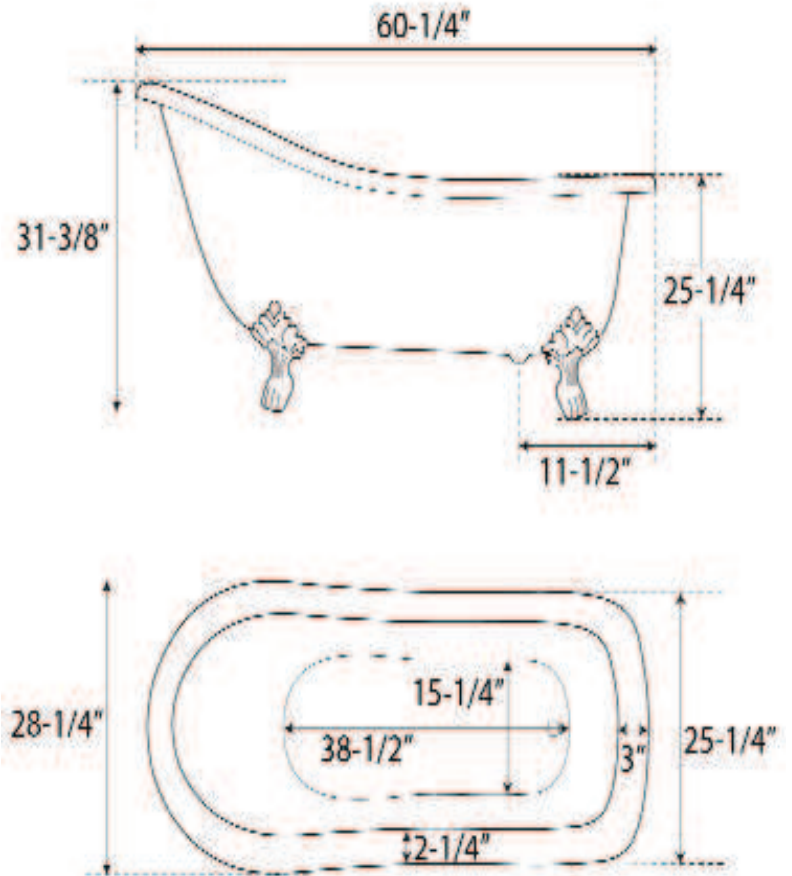
Gallon Capacity: 44
Shipping Weight: 425 lbs.
Empty Weight: 200 lbs.
Filled Weight: 568 lbs.

Features:

- ▶ Interior and exterior walls acrylic sheets
- ▶ Space between walls partially filled with fiberglass & resin
- ▶ Lion paw feet available in 4 finishes
- ▶ No faucet holes
- ▶ No overflow
- ▶ Tub feet are attached and leveled before shipment.
- ▶ Tub is thoroughly inspected before shipment

Feet Finishes:

BN Brushed Nickel **PB** Polished Brass
CP Polished Chrome **ORB** Oil Rubbed Bronze



Dimensions of fixture are nominal and specifications subject to change without notice.