

SMALL COPPER LAVATORY BOWL

Cat. No.
6713



Features:

- ▶ 18 Gauge Metal
- ▶ Self-rimming
- ▶ Round
- ▶ Includes Overflow and Drain Opening for Standard 1 1/4" Drain Fitting
- ▶ Also Available as Undermount (#6712)
- ▶ Copper is a Living Finish and will Patina Over Time
- ▶ Pewter will Not Patina Under Normal Circumstances

Finishes:

- AC Hammered Antique Copper
- PE Hammered Pewter

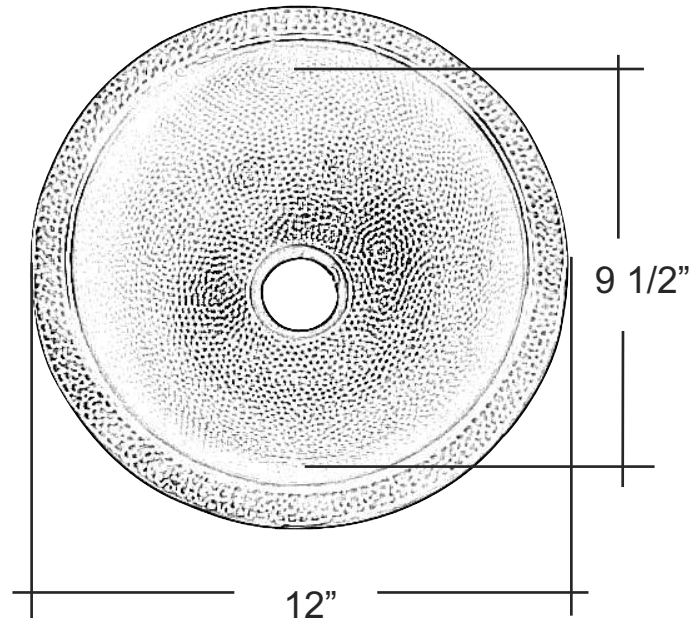
Compliance Certification
Material is consistent with
UNS C81100 Copper Casting
Alloy with respect to chemical
composition.

W: 12"

D: 12"

Interior Dimensions:

Basin Interior: 9 1/2" diameter
Basin Depth: 4 3/4"



Dimensions of fixture are nominal and may vary. Dimensions and specifications subject to change without notice.