

TUB WALL MOUNTED FAUCET WITH HAND SHOWER

Cat. No.

4025



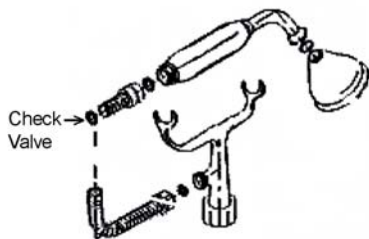
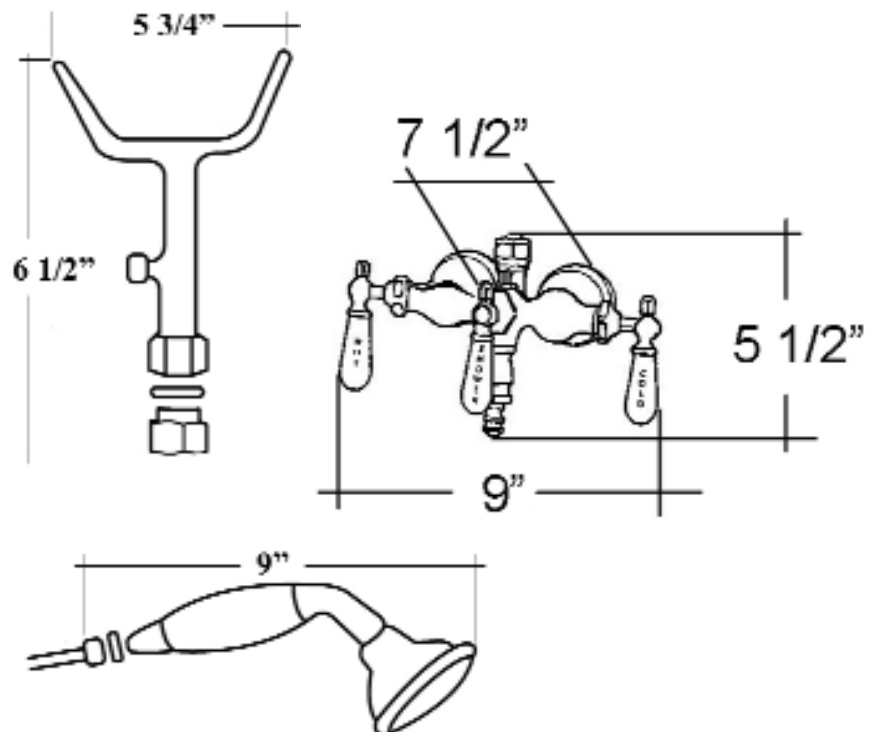
Features:

- ▶ Old Style Spigot
- ▶ Handheld Shower and Cradle
- ▶ Backflow Preventer on Handshower
- ▶ Includes 59" hose
- ▶ 3 3/8" Centers
- ▶ 1/4 Turn Ceramic Disc Cartridges
- ▶ To Be Used with Double Offset Bath Supplies:
Part #5576
- ▶ Can Be Used with Rigid, Freestanding Bath Supplies:
Part #4502

Finishes:

- CP Polished Chrome
- BP Polished Brass
- SN Brushed Nickel
- PN Polished Nickel
- ORB Oil Rubbed Bronze

W: 9"
D: 7 1/2"
H: 12 1/2"



Dimensions are nominal and may vary. Dimensions and specifications subject to change without notice.