

TUB FILLER WITH DIVERTER

Cat. No.
4011



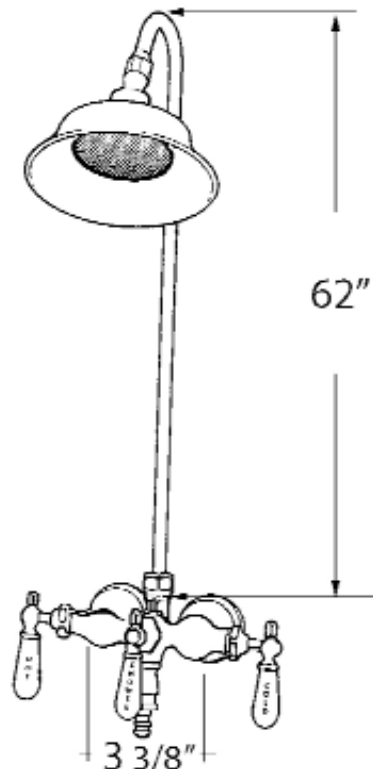
Features:

- ▶ Old style spigot
- ▶ 1/4 turn ceramic disc cartridges
- ▶ 3-3/8" centers
- ▶ Flow rate for faucet is 3.34 GPM
- ▶ Flow rate for showerhead is 2.44 GPM
- ▶ Sunflower shower head
- ▶ Acrylic tub use only (Part# **4031** for cast iron tubs)
- ▶ 4195WS Wall Support to be purchased separately
- ▶ To be used with Double Offset Supplies **#5576**

Finishes:

CP Polished Chrome
BP Polished Brass
ORB Oil Rubbed Bronze

PN Polished Nickel
SN Brushed Nickel



Riser height: 62"

Dimensions are nominal and may vary. Dimensions and specifications subject to change without notice.