



PRODUCT SHEET
ORIGAMI 7242 ORIGINAL SERIES
 72" X 42" X 22"



Slim Deck 1/2"

| | |
|----------------------------|----|
| THERMOMASSEUR® BATH | \$ |
| THERMASENS™ BATH | \$ |
| SOAKER BATH | \$ |

| THERMOMASSEUR (TMU) | |
|----------------------------|----------|
| Jets | 44 |
| 1 heated backrest | included |
| MiaPlus® Control | included |
| Geysair™ | \$ |
| AromaCloud™ | \$ |
| Chromatherapy - LED | \$ |

| THERMASENS (TMSU) | |
|------------------------------------|----------|
| AromaCloud™ | included |
| Chromatherapy - LED | included |
| WarmTouchShell™ | included |
| 2 DOT controls (standard location) | included |
| 2 nd WarmTouchShell | \$ |

| FEATURES INCLUDED | | | |
|--------------------------|--|--------------|----|
| Installation type | Drop-in, Alcove (3 walls) Slim Deck & 2" Deck Height & Undermount 2" Deck Height | | |
| No. of bathers | | Imp. gallons | 60 |
| US gallons | 72 | | |

OPTIONAL UPCHARGE APPLICABLE

| COLORS | |
|------------------|--------------|
| Standards | |
| | White |
| | Bone |
| | Biscuit |
| | Almond |
| Optionals | |
| | Mexican sand |
| | Cashmere |
| | Sandbar |
| | Gray |

| | |
|---------------------------|----|
| CONTROL (TMU ONLY) | |
| MiaMulti® | \$ |

| SKIRTS (2" LIP ONLY) | MULTIFIT | ELEGANCE | SJ-1 |
|-----------------------------|-----------------|-----------------|-------------|
| Skirts | \$ | \$ | \$ |
| Optional colors | \$ | \$ | \$ |

| DRAIN & OVERFLOW | 16" X 35" |
|---|------------------|
| Chrome | \$ |
| White, Biscuit & Bone | \$ |
| Brass | \$ |
| Brushed nickel, Polished nickel & Oil-rubbed bronze | \$ |

| TILE FLANGE (2" LIP ONLY) | |
|----------------------------------|----|
| Ordered with bath, uninstalled | \$ |
| Factory-installed | \$ |

DON'T FORGET TO INDICATE THE CHOSEN DECK HEIGHT (2" OU 5") AND THAT A TILE FLANGE IS ONLY AVAILABLE WITH THE 2" DECK. SPECIFY DRAIN POSITION.

1 800 463.2187 info@bainultra.com | From 8 a.m. to 8 p.m. Monday to Thursday (EST)
 From 8 a.m. to 5 p.m. on Friday (EST)

ORIGAMI 7242 ORIGINAL SERIES 72" X 42" X 22"

ACCESSORIES (OPTIONAL)

CUTTING TEMPLATE

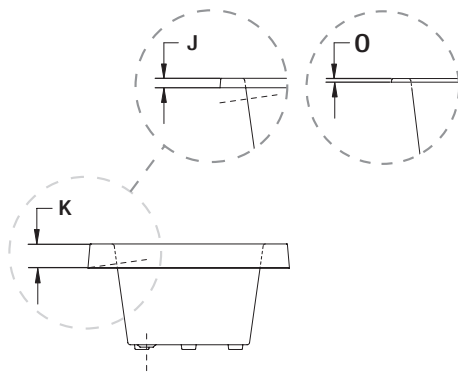
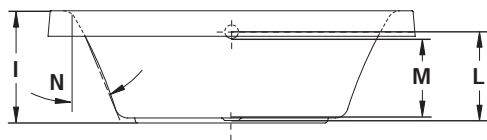
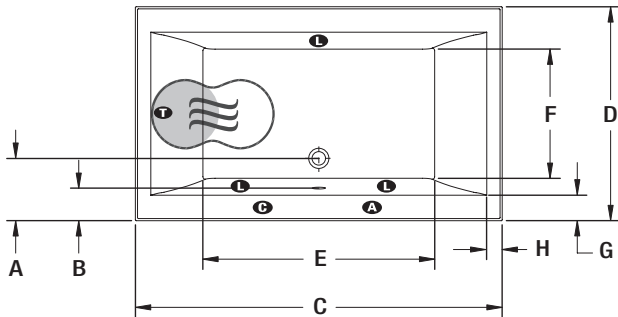
90000035

OTHER

Optional tile flange with 2" lip height only (specify front or back).

TOTAL PRICE

\$



| LETTER | DESCRIPTION | MEASURE |
|--------|--|--------------------|
| A | Outside edge to center drain | 12 1/4" |
| B | Outside edge to overflow | 5 3/8" |
| C | Total length (with 2" deck height) Total length (with 5" deck height) | 71 5/8" 72 1/8" |
| D | Total width (with 2" deck height) Total width (with 5" deck height) | 41 5/8" 42 1/8" |
| E | Bathing well length | 45" |
| F | Bathing well width | 26 1/4" |
| G | Deck width | 5 3/8" |
| H | Deck width | 3" |
| I | Height from bottom of tub to top deck | 22" |
| J | Height from bottom of lip to top deck | 2" |
| K | Height from bottom of lip to top deck | 5" |
| L | Height from drain to center of overflow | 17 1/8" |
| M | Maximum water level | 16" |
| N | Slope of backrest | 24° |
| O | Height from bottom of lip to top deck | 1/2" |

- T** Indicates turbine position (TMU)
- L** Indicates LED light position
- Indicates heated backrest (TMU)
- Ⓢ** Indicates control position when factory-installed
- Ⓢ** Indicates WarmTouchShell position (TMSU)
- A** Indicates AromaCloud position

When tiling flange is added, the AromaCloud will automatically be installed on the opposite side of the flange.

TECHNICAL SPECIFICATIONS

| | |
|----------------------------------|---|
| Hot water supply required | Should be 70% of water capacity of tub or greater. |
| Turbine | Access to the pump must be at least 18" X 22". Standard connection is 15 A, 120 V, 60 hz, dedicated line with a Ground-Fault Circuit Interrupter (GFCI). With Geysair, upgrade to 20 A, 120 V, 60 hz, dedicated line GFCI is needed. For any additional option with the Geysair, a second line is needed 15 A, 120 V, 60 hz, dedicated line with a GFCI. Air vent necessary: 2" X 4" minimum. |

Our products must be installed by certified professionals only and according to our Owner's Manual as well as federal, provincial/state and local building codes and regulations (www.bainultra.com/documentations).

| | |
|--------------------------------|---------|
| Approx. shipping weight | 140 lbs |
| Turbine power | 600 W |
| Air heater | 700 W |

WARRANTY

| | |
|-----------------------|----------|
| Controls-LED-Geysair* | 5 years |
| Bath & turbine* | 20 years |

*Some restrictions apply | www.bainultra.com/warranty

The specifications shown indicate the outer edge dimension and the inside bathing capacity dimension measured at air jets' height. The manufacturer accepts a 1/4" [0.64 cm] variance. There are variations on each product and specifications are subject to change as we improve upon our product as required. The dimensions needed for site preparation and structure building will differ. BainUltra® assumes no responsibility for preparatory work done prior to the product being on site.

