



PRODUCT SHEET  
**ORIGAMI 6636** ORIGINAL SERIES  
 66" X 36" X 22"



<b>THERMOMASSEUR® BATH</b>	\$
<b>THERMASENS™ BATH</b>	\$
<b>SOAKER BATH</b>	\$

<b>THERMOMASSEUR (TMU)</b>	
Jets	43
1 heated backrest	included
MiaPlus® Control	included
Geysair™	\$
AromaCloud™	\$
Chromatherapy - LED	\$

<b>THERMASENS (TMSU)</b>	
AromaCloud™	included
Chromatherapy - LED	included
WarmTouchShell™	included
2 DOT controls (standard location)	included

<b>FEATURES INCLUDED</b>			
Installation type	Drop-in, Alcove (3 walls) Slim Deck & 2" Deck Height & Undermount 2" Deck Height		
No. of bathers		Imp. gallons	52
US gallons	62		

<b>OPTIONAL UPCHARGE APPLICABLE</b>			
<b>COLORS</b>			
<b>Standards</b>			
White	Bone	Biscuit	Almond
<b>Optionals</b>			\$
Mexican sand	Cashmere	Sandbar	Gray
<b>CONTROL (TMU ONLY)</b>			
MiaMulti®			\$
<b>SKIRTS (2" LIP ONLY)</b>			
	<b>MULTIFIT</b>	<b>ELEGANCE</b>	<b>SJ-1</b>
Skirts	\$	\$	\$
Optional colors	\$	\$	\$
<b>DRAIN &amp; OVERFLOW</b>			<b>16" X 35"</b>
Chrome			\$
White, Biscuit & Bone			\$
Brass			\$
Brushed nickel, Polished nickel & Oil-rubbed bronze			\$
<b>TILE FLANGE (2" LIP ONLY)</b>			
Ordered with bath, uninstalled			\$
Factory-installed			\$

DON'T FORGET TO INDICATE THE CHOSEN DECK HEIGHT (2" OR 4") AND THAT A TILE FLANGE IS ONLY AVAILABLE WITH THE 2" DECK. SPECIFY DRAIN POSITION.

1 800 463.2187 info@bainultra.com | From 8 a.m. to 8 p.m. Monday to Thursday (EST)  
 From 8 a.m. to 5 p.m. on Friday (EST)

# ORIGAMI 6636 ORIGINAL SERIES 66" X 36" X 22"

## ACCESSORIES (OPTIONAL)

CUTTING TEMPLATE

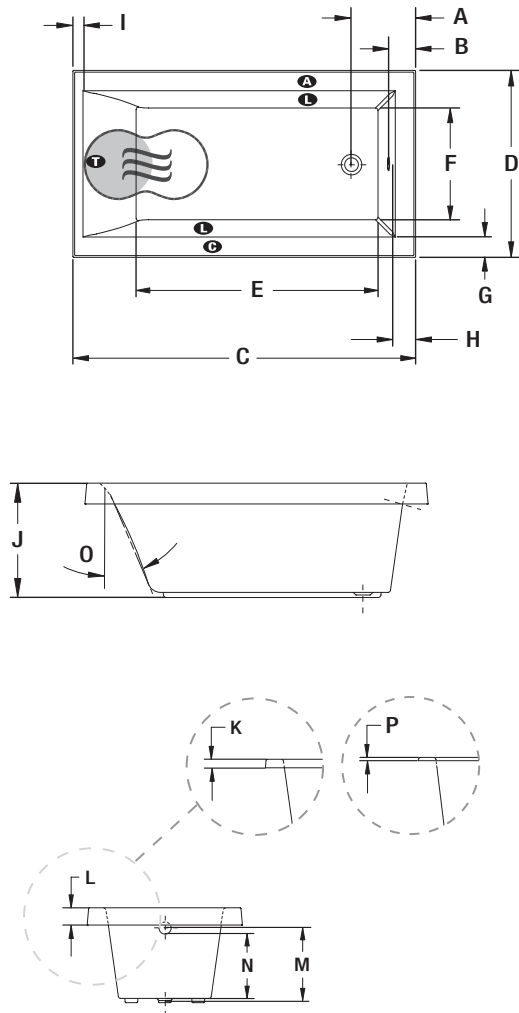
# 90000047

OTHER

Optional tile flange with 2" lip height only (specify right or left).

TOTAL PRICE

\$



LETTER	DESCRIPTION	MEASURE
A	Outside edge to center drain	12 3/8"
B	Outside edge to overflow	4 5/8"
C	Total length (with 2" deck height) Total length (with 4" deck height)	65 7/8" 66 1/4"
D	Total width (with 2" deck height) Total width (with 4" deck height)	35 3/4" 36 1/8"
E	Bathing well length	47 1/4"
F	Bathing well width	22 1/4"
G	Deck width	4 1/2"
H	Deck width	4 1/2"
I	Deck width	1 5/8"
J	Height from bottom of tub to top deck	21 7/8"
K	Height from bottom of lip to top deck	2"
L	Height from bottom of lip to top deck	4"
M	Height from drain to center of overflow	17 1/8"
N	Maximum water level	15 1/2"
O	Slope of backrest	24°
P	Height from bottom of lip to top deck	1/2"

- T** Indicates turbine position (TMU)
- L** Indicates LED light position
- C** Indicates control position when factory-installed
- A** Indicates AromaCloud position
- W** Indicates WarmTouchShell position (TMSU)

When tiling flange is added, the AromaCloud will automatically be installed on the opposite side of the flange.

## TECHNICAL SPECIFICATIONS

<b>Hot water supply required</b>	Should be 70% of water capacity of tub or greater.
<b>Turbine</b>	Access to the pump must be at least 18" X 22". Standard connection is 15 A. 120 V, 60 hz, dedicated line with a Ground-Fault Circuit Interrupter (GFCI). With Geysair, upgrade to 20 A. 120 V, 60 hz, dedicated line GFCI is needed. For any additional option with the Geysair, a second line is needed 15 A. 120 V, 60 hz, dedicated line with a GFCI. Air vent necessary: 2" X 4" minimum.

Our products must be installed by certified professionals only and according to our Owner's Manual as well as federal, provincial/state and local building codes and regulations ([www.bainultra.com/documentations](http://www.bainultra.com/documentations)).

<b>Approx. shipping weight</b>	135 lbs
<b>Turbine power</b>	600 W
<b>Air heater</b>	700 W

## WARRANTY

Controls-LED-Geysair*	5 years
Bath & turbine*	20 years

\*Some restrictions apply | [www.bainultra.com/warranty](http://www.bainultra.com/warranty)



The specifications shown indicate the outer edge dimension and the inside bathing capacity dimension measured at air jets' height. The manufacturer accepts a 1/4" [0,64 cm] variance. There are variations on each product and specifications are subject to change as we improve upon our product as required. The dimensions needed for site preparation and structure building will differ. BainUltra® assumes no responsibility for preparatory work done prior to the product being on site.