



PRODUCT SHEET

INUA 7240

72" X 40" X 23"



THERMOMASSEUR® BATH	\$
THERMASENS™ BATH	\$
SOAKER BATH	\$

THERMOMASSEUR (TMU)	
Jets	58
1 heated backrest	included
MiaPlus® Control	included
Geysair™	\$
AromaCloud™*	\$
Chromatherapy - LED	\$

THERMASENS (TMSU)	
AromaCloud™*	included
Chromatherapy - LED	included
WarmTouchShell™	included
2 DOT controls (standard location)	included
2 nd WarmTouchShell	\$

FEATURES INCLUDED			
Installation type			Drop-in
No. of bathers		Armrests	4
US gallons	67	Grab bars (color match)	2
Imp. gallons	56	Cushions (gray/black)	2
Raised seats	2	Integrated overflow	incl.
Inverted V	2		

OPTIONAL UPCHARGE APPLICABLE	
COLORS	
Standards	
	White
	Bone
	Biscuit
	Almond
Optionals	
	Black
	Mexican sand
	Cashmere
	Sandbar
	Gray
	\$
CONTROL (TMU ONLY)	
MiaMulti®	\$
CLEAR ACRYLIC GRAB BARS	
With Chrome, Brass or Brushed nickel inserts	\$
DRAIN & OVERFLOW	
	16" X 35"
Chrome	\$
White, Biscuit & Bone	\$
Brass	\$
Brushed nickel, Polished nickel & Oil-rubbed bronze	\$

SPECIFY THE CUSHION COLOR: GRAY OR BLACK.
 * THERE IS A DEDICATED FLATTENED AREA EACH SIDE OF THE TUB TO INSTALL THE AROMACLOUD, AND/OR THE CONTROL, AND/OR THE FAUCETS.

1 800 463.2187 From 8 a.m. to 8 p.m. Monday to Thursday (EST)
 info@bainultra.com From 8 a.m. to 5 p.m. on Friday (EST)

INUA 7240 72" X 40" X 23"

TOTAL PRICE \$

THERAPEUTIC COMFORT CUSHION - INCLUDED

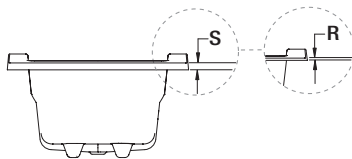
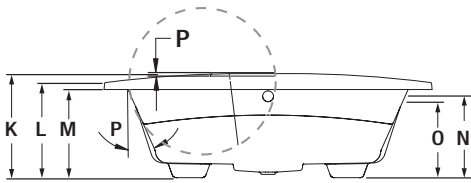
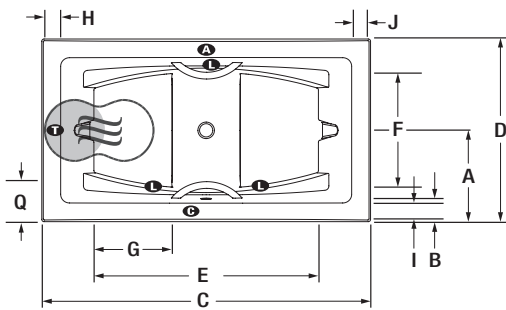
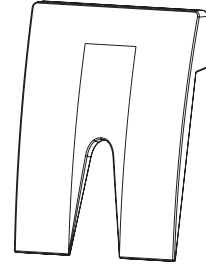
The removable cushions are equipped with magnets to hold them firmly in place. Their ultraresistant polyurethane construction makes them:

- Extremely comfortable and soft to the touch
- Fully waterproof
- Remarkably durable
- Color available: Warm Gray + Black

For technical information on the cushion material, go to: corium-ut.com

WARNING

This product contains magnetic materials. It should not be used by individuals with a pacemaker, defibrillator, or any other electro-medical device.



LETTER	DESCRIPTION	MEASURE
A	Outside edge to center drain	20"
B	Outside edge to overflow	4 1/2"
C	Total length	72"
D	Total width	40"
E	Bathing well length	49 1/8"
F	Bathing well width at foot area	25 1/8"
G	Raised seat length	17 1/8"
H	Deck width at backrest end	4 5/8"
I	Deck width	4 5/8"
J	Deck width	4 5/8"
K	Height from bottom of tub to top deck	23"
L	Total height to headrest	21"
M	Height from bottom of tub to bottom of lip	19 1/2"
N	Height from drain to center of overflow	17 1/8"
O	Maximum water level	15 3/8"
P	Slope of backrest	24°
Q	Minimum spout reach	8 3/4"
R	Slim deck minimum height	1/2"
S	Standard deck minimum height	1 1/2"

- Indicates turbine position (TMU)
- Indicates heated backrest (TMU)
- Indicates WarmTouchShell position (TMSU)
- Indicates LED light position
- Indicates control position when factory-installed
- Indicates AromaCloud position

TECHNICAL SPECIFICATIONS

Hot water supply required	Should be 70% of water capacity of tub or greater.
Turbine	Access to the pump must be at least 18" X 22". Standard connection is 15 A, 120 V, 60 hz, dedicated line with a Ground-Fault Circuit Interrupter (GFCI). With Geysair, upgrade to 20 A, 120 V, 60 hz, dedicated line GFCI is needed. For any additional option with the Geysair, a second line is needed 15 A, 120 V, 60 hz, dedicated line with a GFCI. Air vent necessary: 2" X 4" minimum

Our products must be installed by certified professionals only and according to our Owner's Manual as well as federal, provincial/state and local building codes and regulations (www.bainultra.com/documentations).

Approx. shipping weight	153 lbs
Turbine power	600 W
Air heater	700 W

WARRANTY

Controls-LED-Geysair*	5 years
Bath & turbine*	20 years

*Some restrictions apply | www.bainultra.com/warranty



The specifications shown indicate the outer edge dimension and the inside bathing capacity dimension measured at air jets' height. The manufacturer accepts a 1/4" [0,64 cm] variance. There are variations on each product and specifications are subject to change as we improve upon our product as required. The dimensions needed for site preparation and structure building will differ. BainUltra® assumes no responsibility for preparatory work done prior to the product being on site.