



PRODUCT SHEET
AMMA 6060
 60" X 60" X 21"



THERMOMASSEUR® BATH	\$
THERMASENS™ BATH	\$
SOAKER BATH	N/A

THERMOMASSEUR (TMU)	
Jets	55
2 heated backrests	included
2 heated headrests	included
MiaPlus® Control	included
Geysair™	\$
AromaCloud™	\$
Chromatherapy - LED	\$

THERMASENS (TMSU)	
AromaCloud™	included
Chromatherapy - LED	included
WarmTouchShell™	included
2 DOT controls	included
2 nd WarmTouchShell	\$

FEATURES INCLUDED			
Installation type		Drop-in & Corner	
No. of bathers		Inverted V	2
US gallons	64	Armrests	2
Imp. gallons	54	Grab bar (color match)	1
Raised seats	2		

OPTIONAL UPCHARGE APPLICABLE

COLORS	
Standards	
	White
	Bone
	Biscuit
	Almond

Optionals		\$
	Black	
	Mexican sand	
	Cashmere	
	Sandbar	
	Gray	

CONTROL (TMU ONLY)

MiaMulti®	\$
-----------	----

SKIRT **SJ-3 CR AMMA 6060**

Skirt	\$
Optional colors	\$

CLEAR ACRYLIC GRAB BARS

With Chrome, Brass or Brushed nickel inserts	\$
--	----

DRAIN & OVERFLOW **16" X 35"**

Chrome	\$
White, Biscuit & Bone	\$
Brass	\$
Brushed nickel, Polished nickel & Oil-rubbed bronze	\$

TILE FLANGE

Ordered with bath, uninstalled	\$
Factory-installed	\$

DON'T FORGET THAT ORDERING A TILE FLANGE FOR THIS BATH IS POSSIBLE.

1 800 463.2187
 info@bainultra.com

From 8 a.m. to 8 p.m. Monday to Thursday (EST)
 From 8 a.m. to 5 p.m. on Friday (EST)



The quest for your wellness™

www.bainultra.com

AMMA 6060 60" X 60" X 21"

ACCESSORIES (OPTIONAL)

CUTTING TEMPLATE

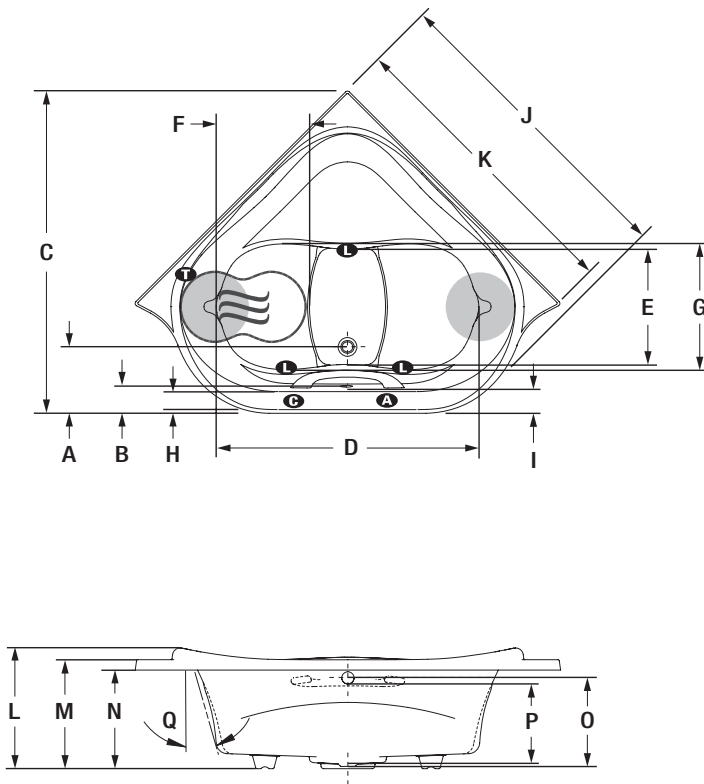
90000040

OTHER

Optional tile flange.

TOTAL PRICE

\$



LETTER	DESCRIPTION	MEASURE
A	Outside edge to center drain	12 7/8"
B	Outside edge to overflow	5"
C	Total length	61 3/4"
D	Bathing well length	50 3/4"
E	Bathing well width at foot area	22"
F	Raised seat length	18"
G	Raised seat width	24"
H	Flat surface width	3 1/4"
I	Deck width	4 5/8"
J	Length from sidewall to front curve	59 1/2"
K	Sidewall length	58"
L	Total height to headrest	23 1/2"
M	Height from bottom of tub to top deck	21 1/4"
N	Height from bottom of tub to bottom of lip	19 1/4"
O	Height from drain to center of overflow	17"
P	Maximum water level	15 3/8"
Q	Slope of backrest	18°

- Indicates turbine position (TMU)
- Indicates LED light position
- Indicates heated backrest (TMU)
- Indicates control position when factory-installed
- Indicates WarmTouchShell position (TMSU)
- Indicates AromaCloud position

TECHNICAL SPECIFICATIONS

Hot water supply required	Should be 70% of water capacity of tub or greater.
Turbine	Access to the pump must be at least 18" X 22". Standard connection is a 20 A, 120 V, 60hz, dedicated line with a Ground-Fault Circuit Interrupter (GFCI). With the Geysair, a second dedicated line, GFCI protected, 15A, 120 V, 60 hz is needed for the WarmTouchShell and additional options. Air vent is necessary: 2" X 4" minimum.

Our products must be installed by certified professionals only and according to our Owner's Manual as well as federal, provincial/state and local building codes and regulations (www.bainultra.com/documentations).

The specifications shown indicate the outer edge dimension and the inside bathing capacity dimension measured at air jets' height. The manufacturer accepts a 1/4" [0.64 cm] variance. There are variations on each product and specifications are subject to change as we improve upon our product as required. The dimensions needed for site preparation and structure building will differ. BainUltra® assumes no responsibility for preparatory work done prior to the product being on site.

Approx. shipping weight	210 lbs
Turbine power	755 W
Air heater	1 000 W

WARRANTY

Controls-LED-Geysair*	5 years
Bath & turbine*	20 years

*Some restrictions apply | www.bainultra.com/warranty

