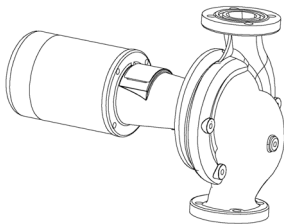


| | |
|---|--|
| JOB: _____ UNIT TAG: _____ ENGINEER: _____ CONTRACTOR: _____ | REPRESENTATIVE: _____ ORDER NO. _____ SUBMITTED BY: _____ APPROVED BY: _____ DATE: _____ DATE: _____ DATE: _____ |
|---|--|



2x2x7 Series 60®

Maintenance Free In-Line Mounted Pump

SPECIFICATIONS

FLOW _____ HEAD _____
 HP _____ RPM _____
 VOLTS _____
 CYCLE _____ PHASE _____
 ENCLOSURE _____
 APPROX. WEIGHT _____
 SPECIALS _____

MATERIALS OF CONSTRUCTION

- BRONZE FITTED ALL BRONZE

FEATURES

- MAINTENANCE FREE PUMP
 INTERNALLY SELF-FLUSHING MECHANICAL SEAL
 XLII® LUBRICATION SYSTEM
 THREE YEAR WARRANTY
 FACTORY TEST

MAXIMUM WORKING PRESSURE

- 175 psi (12 bar) W.P.

TYPE OF SEAL

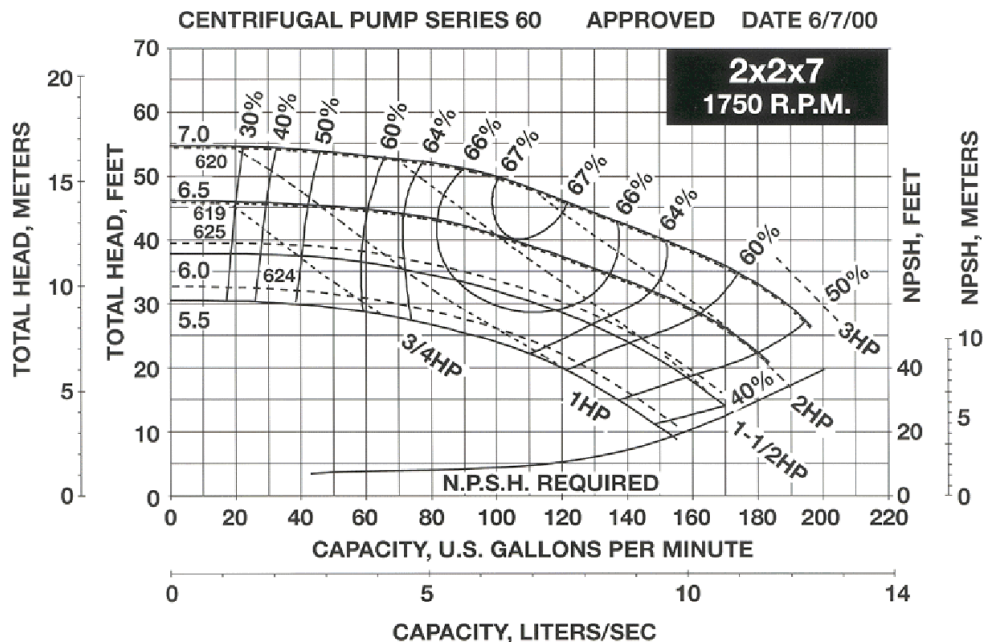
- BUNA/CARBON-CERAMIC (STANDARD)
 (-20 °F TO 225 °F)

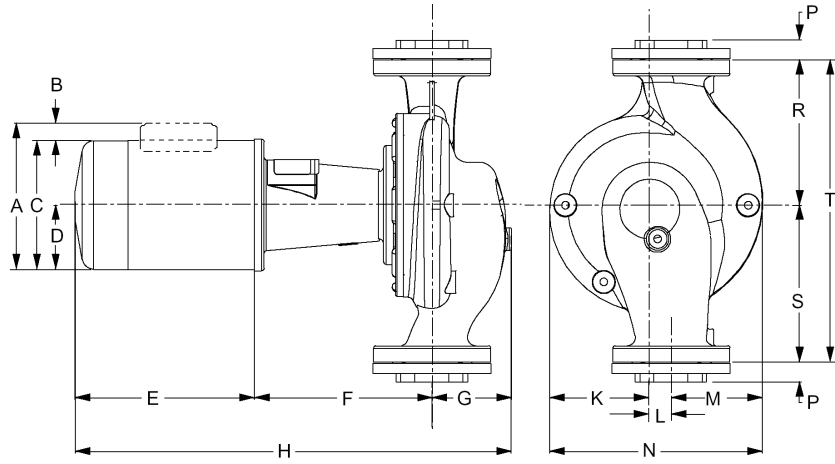
TYPE OF SEAL

- EPT/TUNGSTEN-CARBIDE
 (-20 °F TO 250 °F)

TYPE OF SEAL

- VITON/CARBON-CERAMIC
 (0 °F TO 225 °F)





| SUCTION AND DISCHARGE SIZE INCHES NPT | PUMP DIMENSIONS IN INCHES (MM) | | | | | | | | | |
|--|--------------------------------|---------------|----------------|-----------|----------------|----------------|---------------|----------------|----------------|-------------|
| | F | G | K | L | M | N | P | R | S | T |
| 2 | 9-3/8 (238) | 3-1/2 (89) | 4-3/4 (121) | 1 (25) | 4-1/8 (105) | 9-7/8 (251) | 13/16 (21) | 6-1/2 (165) | 7-1/2 (190) | 14 (356) |

MAXIMUM WORKING PRESSURE 175PSI (12 BAR)

ALL MOTORS 1750 RPM

DIMENSIONS - Inches (mm)

| MOTOR HP | | MOTOR DIMENSIONS - INCHES (MM) | | | | | |
|----------|-------|--------------------------------|---------------|----------------|----------------|-----------------|-----------------|
| HP | PHASE | A | B | C | D | E | H |
| 3/4 | 1 | 10-1/8 (257) | 2-1/4 (57) | 7-7/8 (200) | 4-3/8 (111) | 11 (279) | 23-7/8 (606) |
| 3/4 | 3 | 7-7/8 (200) | - | 7-7/8 (200) | 4-3/8 (111) | 11 (279) | 23-7/8 (606) |
| 1 | 1 | 10-1/8 (257) | 2-1/4 (57) | 7-7/8 (200) | 4-3/8 (111) | 9-3/4 (248) | 23-7/8 (606) |
| 1 | 3 | 7-7/8 (200) | - | 7-7/8 (200) | 4-3/8 (111) | 9-3/4 (248) | 23-7/8 (606) |
| 1-1/2 | 1 | 8-3/4 (222) | 2-1/4 (57) | 6-1/2 (165) | 3-1/4 (83) | 10-3/4 (273) | 21-3/8 (543) |
| 1-1/2 | 3 | 6-1/2 (165) | - | 6-1/2 (165) | 3-1/4 (83) | 10 (254) | 21-3/8 (543) |
| 2 | 3 | 6-1/2 (165) | - | 6-1/2 (165) | 3-1/4 (83) | 10 (254) | 21-3/8 (543) |
| 3 | 3 | 6-1/2 (165) | - | 6-1/2 (165) | 3-1/4 (83) | 11-3/8 (289) | 22-1/4 (565) |

Dimensions are subject to change. Not to be used for construction purposes unless certified.
Includes Companion Flanges.



Bell & Gossett

Bell & Gossett
8200 N. Austin Avenue, Morton Grove, IL 60053
Phone (847)966-3700
Facsimile (847)966-9052
www.bellgossett.com



SERIES 60 STOCK PUMPS

BRONZE FITTED CONSTRUCTION SINGLE PHASE UNITS

| PART # | MODEL | PUMP SIZE | MOTOR HP | IMPELLER DIA. |
|----------|-------|---|-------------------------------|---------------|
| 172701LF | 601S | 1x1x5 ¹ / ₄ | 1/4 | 4.38" |
| 172702LF | 602S | 1x1x5 ¹ / ₄ | 1/3 | 4.84" |
| 172703LF | 603S | 1x1x5 ¹ / ₄ | 1/2 | 5.25" |
| 172707LF | 604S | 1 ¹ / ₄ x1 ¹ / ₄ x5 ¹ / ₄ | 1/4 | 4.38" |
| 172708LF | 605S | 1 ¹ / ₄ x1 ¹ / ₄ x5 ¹ / ₄ | 1/3 | 4.84" |
| 172667LF | 606S | 1 ¹ / ₄ x1 ¹ / ₄ x5 ¹ / ₄ | 1/2 | 5.25" |
| 172712LF | 607S | 1 ¹ / ₂ x1 ¹ / ₂ x5 ¹ / ₄ | 1/3 | 4.38" |
| 172713LF | 608S | 1 ¹ / ₂ x1 ¹ / ₂ x5 ¹ / ₄ | 1/2 | 4.94" |
| 172668LF | 609S | 1 ¹ / ₂ x1 ¹ / ₂ x5 ¹ / ₄ | 3/4 | 5.25" |
| 172717LF | 610S | 2x2x5 ¹ / ₄ | 1/2 | 4.12" |
| 172718LF | 611S | 2x2x5 ¹ / ₄ | 3/4 | 4.75" |
| 172669LF | 612S | 2x2x5 ¹ / ₄ | 1 | 5.25" |
| 172755LF | 621S | 1 ¹ / ₂ x1 ¹ / ₂ x6 ¹ / ₄ | 1/2 | 4.88" |
| 172722LF | 613S | 1 ¹ / ₂ x1 ¹ / ₂ x6 ¹ / ₄ | 3/4 | 5.75" |
| 172670LF | 614S | 1 ¹ / ₂ x1 ¹ / ₂ x6 ¹ / ₄ | 1 | 6.25" |
| 172723LF | 615S | 2x2x6 ¹ / ₄ | 3/4 | 5.62" |
| 172671LF | 616S | 2x2x6 ¹ / ₄ | 1 | 6.22" |
| 172757LF | 622S | 1 ¹ / ₂ x1 ¹ / ₂ x7 | 3/4 | 5.50" |
| 172758LF | 623S | 1 ¹ / ₂ x1 ¹ / ₂ x7 | 1 | 6.00" |
| 172724LF | 617S | 1 ¹ / ₂ x1 ¹ / ₂ x7 | 1 ¹ / ₂ | 6.50" |
| 172761LF | 624S | 2x2x7 | 1 | 5.69" |
| 172762LF | 625S | 2x2x7 | 1 ¹ / ₂ | 6.12" |

THREE PHASE UNITS

| PART # | MODEL | PUMP SIZE | MOTOR HP | IMPELLER DIA. |
|----------|-------|---|-------------------------------|---------------|
| 172725LF | 601T | 1x1x5 ¹ / ₄ | 1/4 | 4.38" |
| 172726LF | 602T | 1x1x5 ¹ / ₄ | 1/3 | 4.84" |
| 172727LF | 603T | 1x1x5 ¹ / ₄ | 1/2 | 5.25" |
| 172731LF | 604T | 1 ¹ / ₄ x1 ¹ / ₄ x5 ¹ / ₄ | 1/4 | 4.38" |
| 172732LF | 605T | 1 ¹ / ₄ x1 ¹ / ₄ x5 ¹ / ₄ | 1/3 | 4.84" |
| 172733LF | 606T | 1 ¹ / ₄ x1 ¹ / ₄ x5 ¹ / ₄ | 1/2 | 5.25" |
| 172737LF | 607T | 1 ¹ / ₂ x1 ¹ / ₂ x5 ¹ / ₄ | 1/3 | 4.38" |
| 172738LF | 608T | 1 ¹ / ₂ x1 ¹ / ₂ x5 ¹ / ₄ | 1/2 | 4.94" |
| 172739LF | 609T | 1 ¹ / ₂ x1 ¹ / ₂ x5 ¹ / ₄ | 3/4 | 5.25" |
| 172743LF | 610T | 2x2x5 ¹ / ₄ | 1/2 | 4.12" |
| 172744LF | 611T | 2x2x5 ¹ / ₄ | 3/4 | 4.75" |
| 172745LF | 612T | 2x2x5 ¹ / ₄ | 1 | 5.25" |
| 172756LF | 621T | 1 ¹ / ₂ x1 ¹ / ₂ x6 ¹ / ₄ | 1/2 | 4.88" |
| 172749LF | 613T | 1 ¹ / ₂ x1 ¹ / ₂ x6 ¹ / ₄ | 3/4 | 5.75" |
| 172750LF | 614T | 1 ¹ / ₂ x1 ¹ / ₂ x6 ¹ / ₄ | 1 | 6.25" |
| 172751LF | 615T | 2x2x6 ¹ / ₄ | 3/4 | 5.62" |
| 172752LF | 616T | 2x2x6 ¹ / ₄ | 1 | 6.22" |
| 172759LF | 622T | 1 ¹ / ₂ x1 ¹ / ₂ x7 | 3/4 | 5.50" |
| 172760LF | 623T | 1 ¹ / ₂ x1 ¹ / ₂ x7 | 1 | 6.00" |
| 172753LF | 617T | 1 ¹ / ₂ x1 ¹ / ₂ x7 | 1 ¹ / ₂ | 6.50" |
| 172672LF | 618T | 1 ¹ / ₂ x1 ¹ / ₂ x7 | 2 | 7.00" |
| 172763LF | 624T | 2x2x7 | 1 | 5.69" |
| 172764LF | 625T | 2x2x7 | 1 ¹ / ₂ | 6.12" |
| 172754LF | 619T | 2x2x7 | 2 | 6.50" |
| 172673LF | 620T | 2x2x7 | 3 | 7.00" |

Pump Construction: Standard Buna/Carbon-Ceramic Seal,
maximum 175 psi working pressure,
motors are 1750 RPM ODP.
Three Phase are 208-230/460 volts,
Single Phase 115/230 volts.