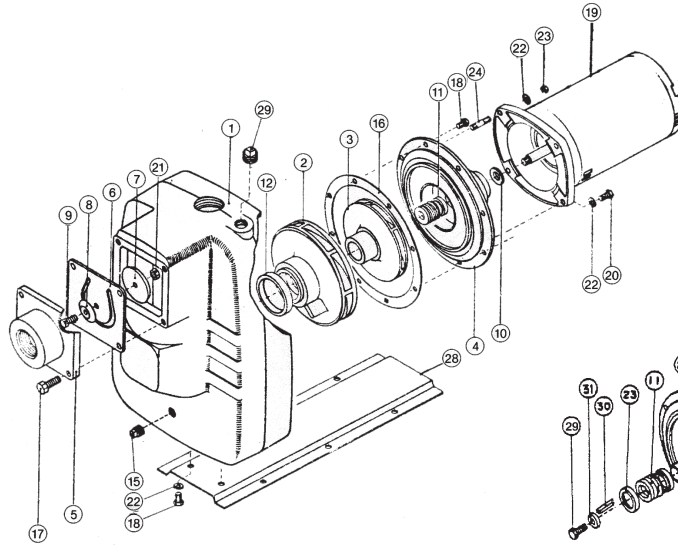


SUBMITTAL DATA SHEET

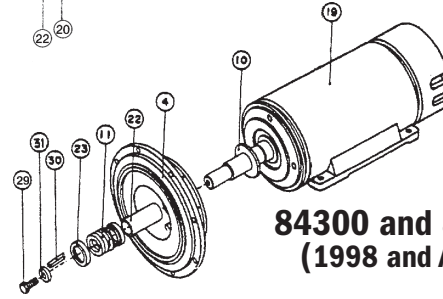
Pump Repair Parts

84000 Series Repair Parts (1984 & After)



Hardware Items

- 15 - 1/4" NPT Pipe Plug
- 17 - 3/8-16 x 1" Hex Head Bolt
- 18 - 3/8-16 x 3/4" Hex Head Bolt
- 20 - 3/8-16 x 1 1/2" Hex Head Bolt
- 21 - Hex Nut
- 24 - 3/8-16 x 7/8" Hex Head Bolt



84300 and 84500 (1998 and After)

REF#	Model#	Description	84075 3/4 HP Part#	84100 1 HP Part#	84150 1 1/2 HP Part#	84200 2 HP Part#	84300 3 HP Part#	84500 5 HP Part#
#1		Body Housing	-	-	-	-	6180-201	6180-201
#2	84000D	Diffuser	-	-	-	-	6180-322	6180-322
#3	84075RK	Overhall Kit*	6180-306	-	-	-	-	-
#3	84100RK	Overhall Kit*	-	6180-325	-	-	-	-
#3	84150RK	Overhall Kit*	-	-	6180-307	-	-	-
#3	84200RK	Overhall Kit*	-	-	-	6180-308	-	-
#3	84300IMP	Impeller Kit*	-	-	-	-	6180-311	-
#3	84500IMP	Impeller Kit*	-	-	-	-	-	6180-312
#5	84000VCV	Valve Body	-	-	-	6180-315	6180-315	-
#5	84500VB	Valve Body	-	-	-	-	-	6180-321
#6	84000VG	Flapper Valve	-	-	-	6180-314	6180-314	6180-314
#7	84000TW	Top Weight	-	-	-	6180-316	6180-316	6180-316
#8	84000BW	Bottom Weight	-	-	-	6180-317	6180-317	6180-317
#10	84100SL	Slinger kit	6180-310	6180-310	6180-310	6180-310	-	-
#10	84000SLG	Slinger Kit	-	-	-	-	6180-313	6180-313
#11	84000SL	Shaft Seal Kit**	-	-	-	-	6180-319	6180-319
#12	84000DR	Diffuser Ring	6180-324	6180-324	6180-324	6180-324	6180-324	6180-324
#16	84000GSKT	Gasket	-	-	-	6180-323	6180-323	6180-323
#19		Motor	6180-292	6180-293	6180-294	6180-295	6180-252	6180-262
#22	84000SS	Shaft Sleeve	-	-	-	-	6180-320	6180-320
#23	84000SL	Spring Holder **	-	-	-	-	6180-319	6180-319
#28		Base	6180-249	6180-249	6180-249	6180-249	-	-
#31	84300WSH	Impeller Washer	-	-	-	-	6180-309	-
#31	84500WSH	Impeller Washer	-	-	-	-	-	6180-318

REF#	Description	No longer available
4	Seal Plate	X
9	Mach Screw - Hex Head Bolt	X
29	Hex Bolt	X
30	Key	X

* MUST PURCHASE IN KIT
Each overhaul kit includes: impeller, slinger, gasket, and hardware
** 84000SL includes #11 & #23

NO-LEAD: The weighted average of the wetted surface of this no-lead product contacted by consumable water contains less than one quarter of one percent (0.25%) lead.



A.Y. McDonald Mfg. Co.
P.O. Box 508
Dubuque, IA 52004-0508

Toll Free: 1-800-292-2737
Fax: 1-800-832-9296
Hours: 7:00 a.m. - 5:00 p.m., CST

sales@aymcdonald.com
www.aymcdonald.com

A.Y. McDonald considers the information on this assembly drawing correct when published. Item and option availability, including specifications, are subject to change without notice.

Submitted by: