

VCS2017

Premium Vitreous China Lavatory Sink

Model: VCS2017

Dimensions

- Overall Size: 19 11/16" x 17 15/16"
- Bowl Size: 15-5/16" x 13 3/16"
- Depth: 8 1/16" D
- Standard Drain Opening: 1 1/4"

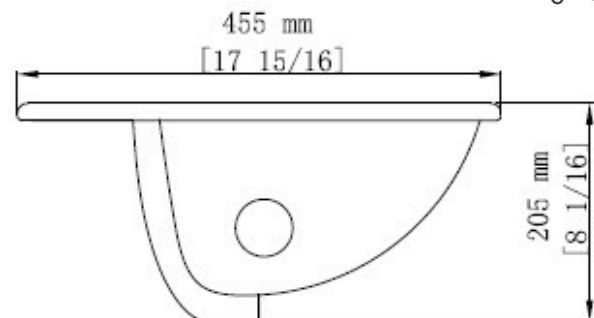
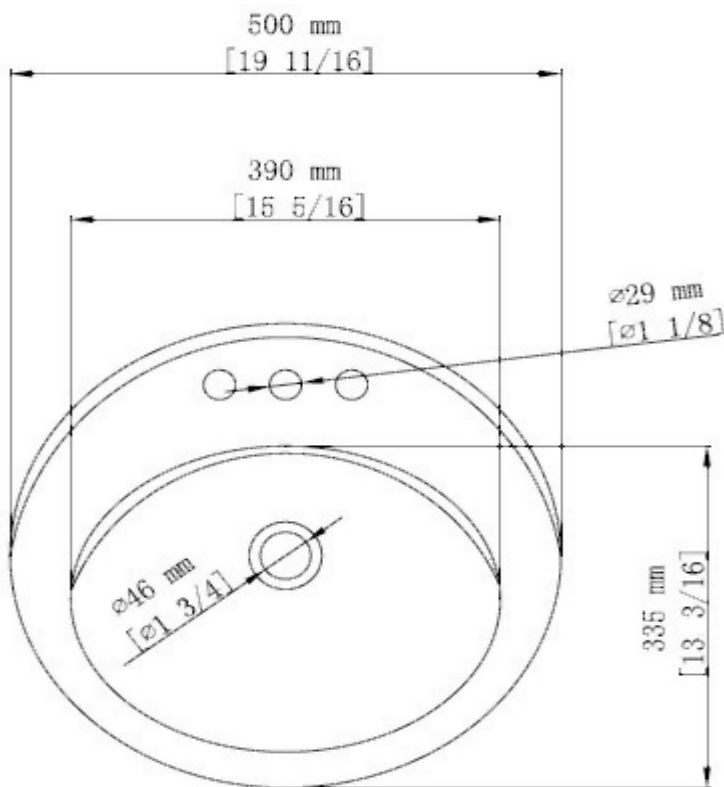
Options

- Available in White or Biscuit
- White, faucet holes on 4 inch center (shown)
- Biscuit, faucet holes on 4 inch center
- White, faucet holes on 8 inch center
- Biscuit, faucet holes on 8 inch center

Features

- Durable vitreous china
- Integral overflow
- Lustrous enamel glazed finish
- Top-Mount design for easy mounting

Complies with: ASME A112.19.2-2008
 CSAB45.1-2008



Product Specification

The topmount lavatory sink shall be 13 3/16" in length and 15 5/16" in width and be made of vitreous china. Sink shall be an Artisan VCS2017, please specify WHITE or BISCUIT _____ and 4 or 8 inch center: _____.