

## MH3221-D8/8

### Premium 18 Gauge 304 Stainless Steel Double Bowl Undermount Sink

**Model: MH3221-D8/8**

#### Dimensions

- Overall Size: 31" x 20"
- Left Bowl Size: 14 1/2" x 18" x 10" D
- Right Bowl Size: 13 1/2" x 15 3/4" x 8" D
- Drain Opening: 3 1/2"

#### Optional Accessories

- Left Bowl Sink Grid: BG-17S
- Right Bowl Sink Grid: BG-16S
- Sink Strainer
- Stainless Steel Sink Cleaner

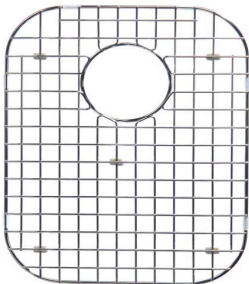
#### Features

- 18 gauge 304 stainless steel
- Proprietary V-Therm Shield™
  - Provides superior sound deadening and thermal retention.
- High luster satin finish
- Stain and corrosion resistant

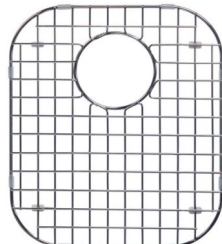
**Reverse Model Available:** Model MH3221-D8/8 is available with reverse bowls. Specify model MH3221-D8/8R.



Complies with ASME A112.19.3-2000



**BG17S GRID**  
Optional



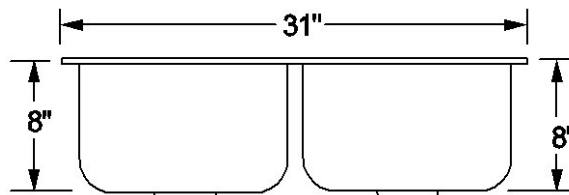
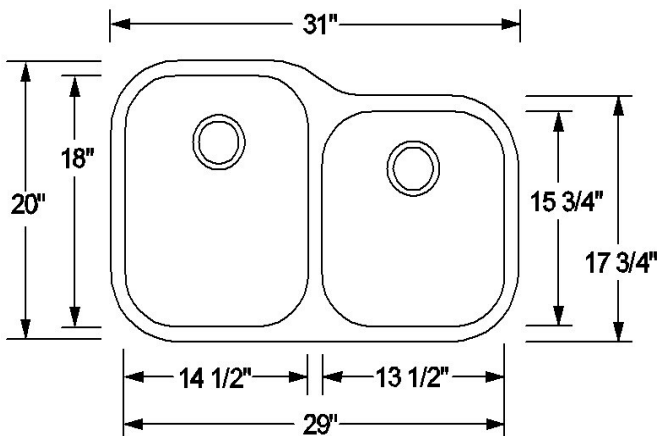
**BG16S GRID**  
Optional



**Sink Strainer**  
Optional



**Stainless Steel Sink Cleaner**  
Optional



#### Product Specification

The undermount sink shall be 31" in length and 20" in width. Sink shall be made of 18 gauge stainless steel. Sink shall have brushed finished rim. Sink shall be a double bowl. Sink shall be an Artisan model MH3221-D 8/8.