

MH3220-D8/7

Premium 18 Gauge 304 Stainless Steel Double Bowl Undermount Sink

Model: MH3220-D8/7

Dimensions

- Overall Size: 31 1/8" x 20 1/2"
- Left Bowl: 17-3/4" x 18-1/2" x 8"D
- Right Bowl: 10-1/2" x 16" x 7"D
- Drain Opening: 3 1/2"

Optional Accessories

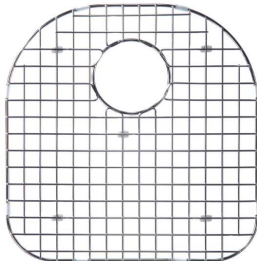
- Left Bowl Sink Grid: BG-20S
- Right Bowl Sink Grid: BG-19S
- Sink Strainer
- Stainless Steel Sink Cleaner

Features

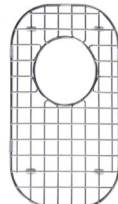
- 18 gauge 304 stainless steel
- Proprietary V-Therm Shield™
- Provides superior sound deadening and thermal retention.
- High luster satin finish
- Stain and corrosion resistant



Complies with ASME A112.19.3-2000



BG20S GRID
Optional



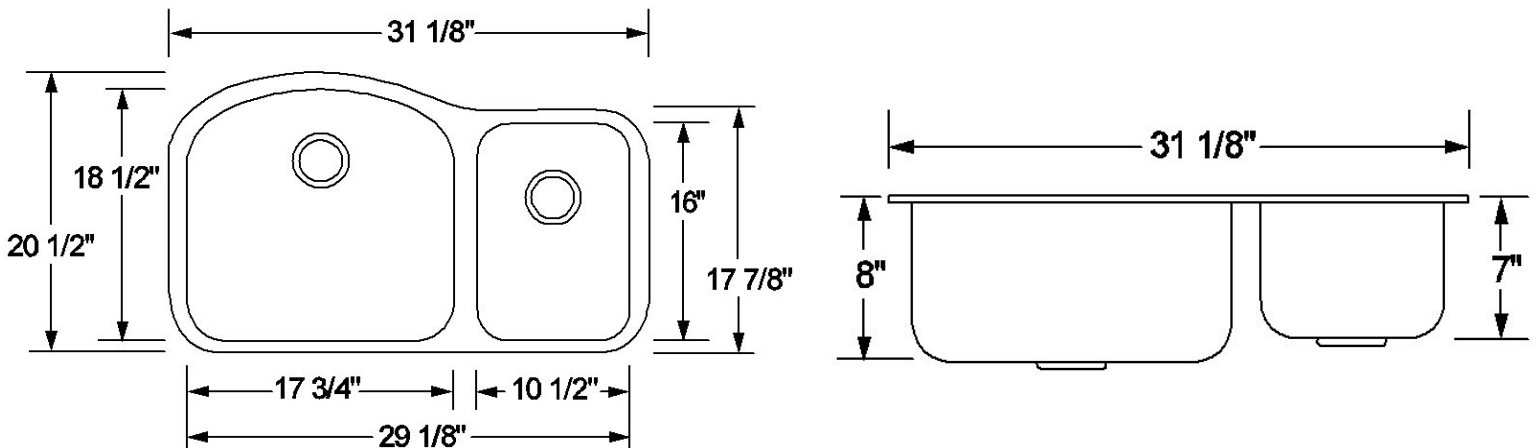
BG19S GRID
Optional



Sink Strainer
Optional



Stainless Steel Sink Cleaner
Optional



Product Specification

The undermount sink shall be 31 1/8" in length and 20 1/2" in width. Sink shall be made of 18 gauge stainless steel. Sink shall have brushed finished rim. Sink shall be a double bowl. Sink shall be an Artisan model MH3220-D8/7.