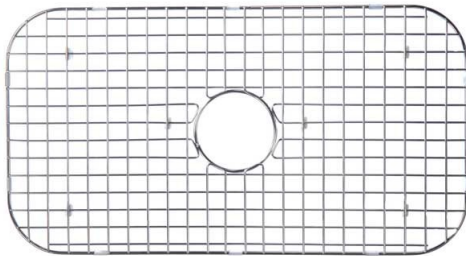


MH3118-D8

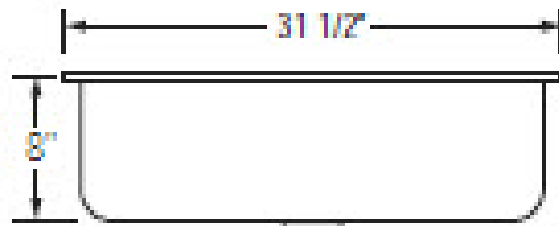
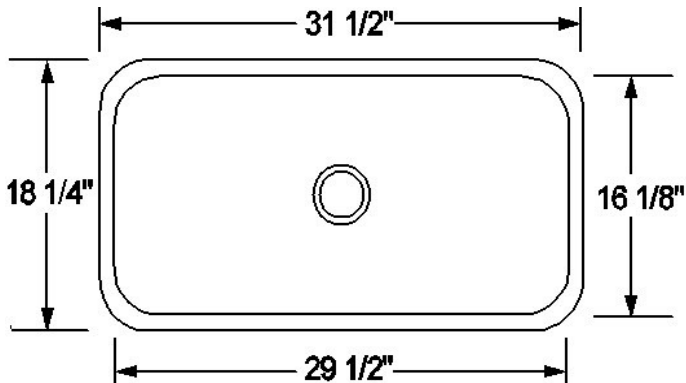
Premium 18 Gauge 304 Stainless Steel Single Bowl Undermount Sink



BG26S GRID
Optional



Sink Strainer
Optional



Model: MH3118-D8

Dimensions

- Overall Size: 31 1/2" x 18 1/4"
- Bowl Size: 29 1/2" x 16 1/8" x 8" D
- Drain Opening: 3 1/2"

Optional Accessories

- Single Grid: BG26S
- Sink Strainer

Features

- 18 gauge 304 stainless steel
- Proprietary V-Therm Shield™
- Provides superior sound deadening and thermal retention.
- High luster satin brush finish
- Stain and corrosion resistant



Complies with ASME A112.19.3-2000

Product Specification

The undermount sink shall be 31 1/2" in length and 18 1/4" in width. Sink shall be made of 18 gauge stainless steel. Sink shall have brushed finished rim. Sink shall be a single bowl. Sink shall be an Artisan model MH3118-D8.