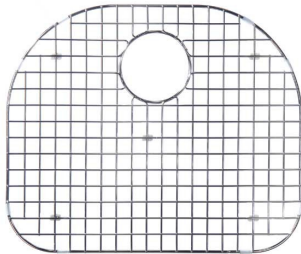


## MH2321-D8

### Premium 18 Gauge 304 Stainless Steel Single Bowl Undermount Sink



**BG21S GRID**  
Optional



**Sink Strainer**  
Optional

#### Model: MH2321-D8

#### Dimensions

- Overall Size: 23 1/2" x 21"
- Bowl Size: 21-1/2" x 19" x 8" D
- Drain Opening: 3 1/2"

#### Optional Accessories

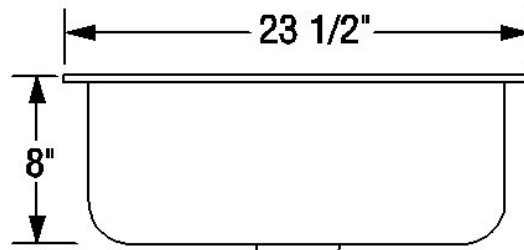
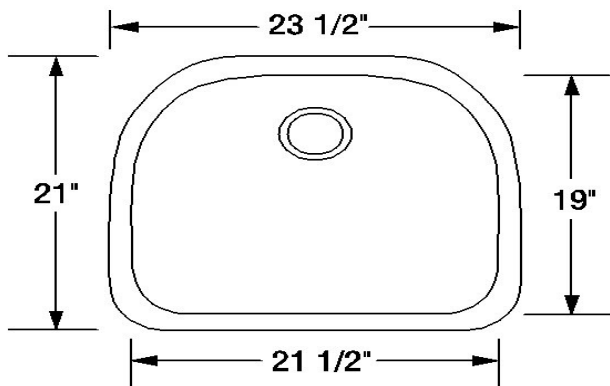
- Single Grid: BG21S
- Sink Strainer

#### Features

- 18 gauge 304 stainless steel
- Proprietary V-Therm Shield™  
- Provides superior sound deadening and thermal retention.
- High luster satin finish
- Stain and corrosion resistant



Complies with ASME A112.19.3-2000



#### Product Specification

The undermount sink shall be 23 1/2" in length and 21" in width. Sink shall be made of 18 gauge stainless steel. Sink shall have brushed finished rim. Sink shall be a single bowl. Sink shall be an Artisan model MH2321-D8.