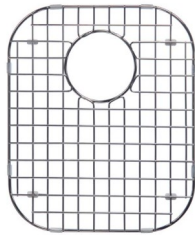


MH1618-D8

Premium 18 Gauge 304 Stainless Steel Single Bowl Undermount Sink



BG16S GRID
Optional



Sink Strainer
Optional

Model: MH1618-D8

Dimensions

- Overall Size: 15 1/2" x 17 3/4"
- Bowl Size: 13-1/2" x 15-3/4" x 8" D
- Drain Opening: 3 1/2"

Optional Accessories

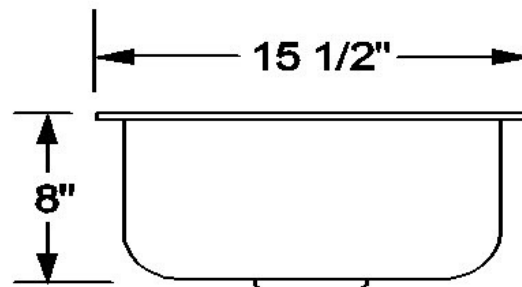
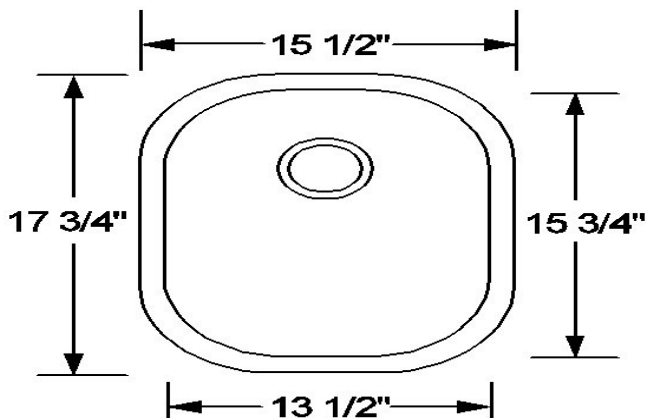
- Single Grid: BG16S
- Sink Strainer

Features

- 18 gauge 304 stainless steel
- Proprietary V-Therm Shield™
 - Provides superior sound deadening and thermal retention.
- High luster satin finish
- Stain and corrosion resistant



Complies with ASME A112.19.3-2000



Product Specification

The undermount sink shall be 15 1/2" in length and 17 3/4" in width. Sink shall be made of 18 gauge stainless steel. Sink shall have brushed finished rim. Sink shall be a single bowl. Sink shall be an Artisan model MH1618-D8.