

AR3221-D9/7 R (Reverse Model)
**Premium 16 Gauge 304 Stainless Steel
Double Bowl Undermount Sink**

Model: AR3221-D9/7R

Dimensions

- Overall Size: 31" x 20"
- Left Bowl Size: 13 1/2" x 15 3/4" x 7" D
- Right Bowl Size: 14 1/2" x 18" x 9" D
- Drain Opening: 3 1/2"

Optional Accessories

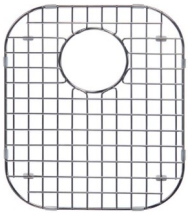
- Left Bowl Sink Grid: BG-16S
- Right Bowl Sink Grid: BG-17S
- Sink Strainer
- Stainless Steel Sink Cleaner

Features

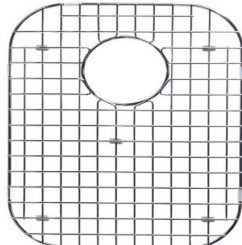
- Heavy 16 gauge 304 stainless steel
- Proprietary V-Therm Shield™
- Provides superior sound deadening and thermal retention.
- High luster satin finish
- Stain and corrosion resistant



Complies with ASME A112.19.3-2000



BG16S GRID
Optional



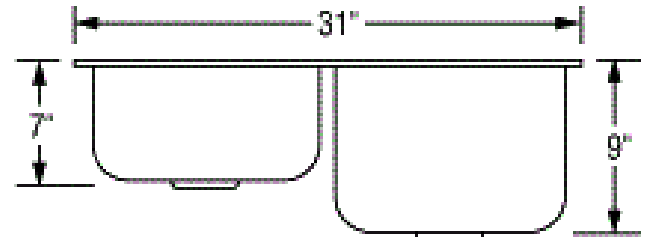
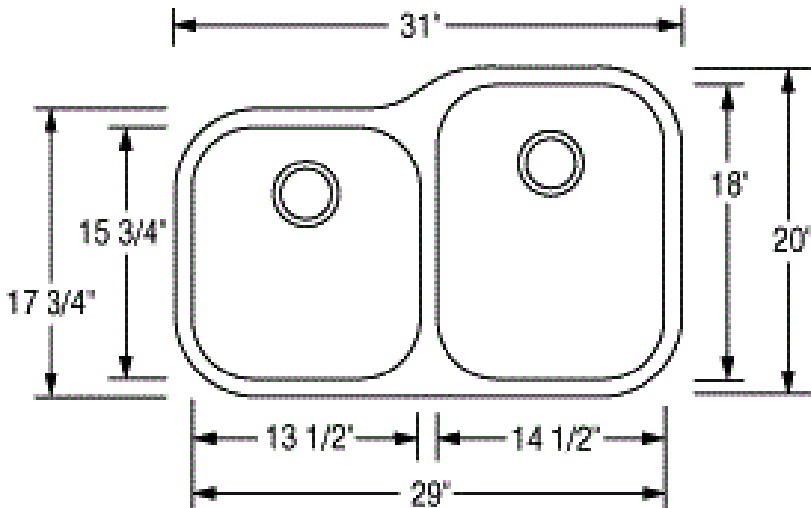
BG17S GRID
Optional



Sink Strainer
Optional



Stainless Steel Sink Cleaner
Optional



Product Specification

The undermount sink shall be 31" in length and 20" in width. Sink shall be made of 16 gauge stainless steel. Sink shall have brushed finished rim. Sink shall be a double bowl. Sink shall be an Artisan model AR3221-D9/7 R.