

AR3221-D9/7

Premium 16 Gauge 304 Stainless Steel Double Bowl Undermount Sink



Model: AR3221-D9/7

Dimensions

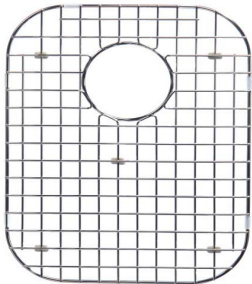
- Overall Size: 31" x 20"
- Left Bowl Size: 14 1/2" x 18" x 9" D
- Right Bowl Size: 13 1/2" x 15 3/4" x 7" D
- Drain Opening: 3 1/2"

Optional Accessories

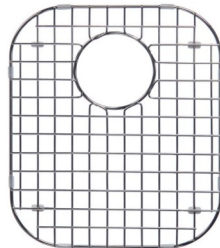
- Left Bowl Sink Grid: BG-17S
- Right Bowl Sink Grid: BG-16S
- Sink Strainer
- Stainless Steel Sink Cleaner

Features

- Heavy 16 gauge 304 stainless steel
- Proprietary V-Therm Shield™
- Provides superior sound deadening and thermal retention.
- High luster satin finish
- Stain and corrosion resistant



BG17S GRID
Optional



BG16S GRID
Optional



Sink Strainer
Optional

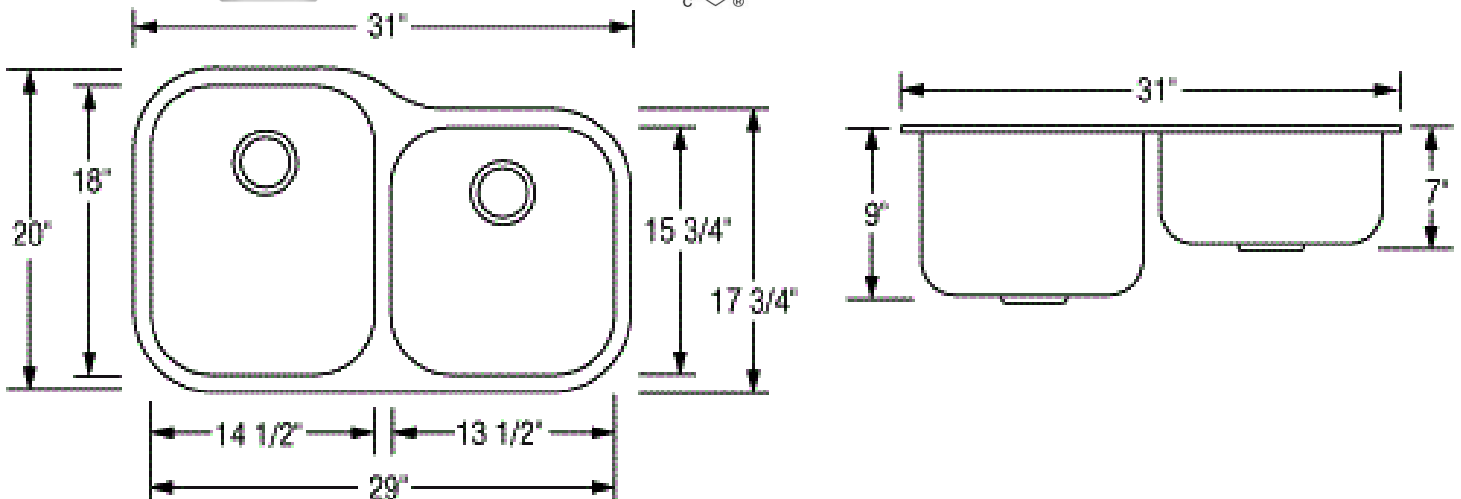


Stainless Steel Sink Cleaner
Optional

Reverse Model Available: Model AR3221-D9/7 is available with reverse bowls. Specify model AR3221-D9/7R



Complies with ASME A112.19.3-2000



Product Specification

The undermount sink shall be 31" in length and 20" in width. Sink shall be made of 16 gauge stainless steel. Sink shall have brushed finished rim. Sink shall be a single bowl. Sink shall be an Artisan model AR3221-D9/7.