

## AR3221-D10/8

### Premium 16 Gauge 304 Stainless Steel Double Bowl Undermount Sink

#### Model: AR3221-D10/8

#### Dimensions

- Overall Size: 31" x 20"
- Left Bowl Size: 14 1/2" x 18" x 10" D
- Right Bowl Size: 13 1/2" x 15 3/4" x 8" D
- Drain Opening: 3 1/2"

#### Optional Accessories

- Left Bowl Sink Grid: BG-17S
- Right Bowl Sink Grid: BG-16S
- Sink Strainer
- Stainless Steel Sink Cleaner

#### Features

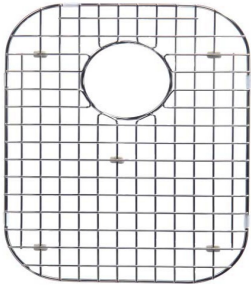
- Heavy 16 gauge 304 stainless steel
- Proprietary V-Therm Shield™  
- Provides superior sound deadening and thermal retention.
- High luster satin finish
- Stain and corrosion resistant
- Bulk Packs Available (4 Pieces Per Pack)

**Reverse Model Available:** Model AR3221-D10/8 is available with reverse bowls. Specify model AR3221-D10/8R

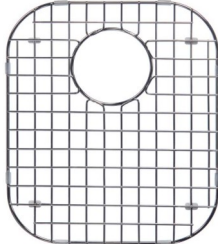
**Optional Size Models Available:** AR3221-D9/7 and in Reverse AR3221-D9/7R



Complies with ASME A112.19.3-2000



**BG17S GRID**  
Optional



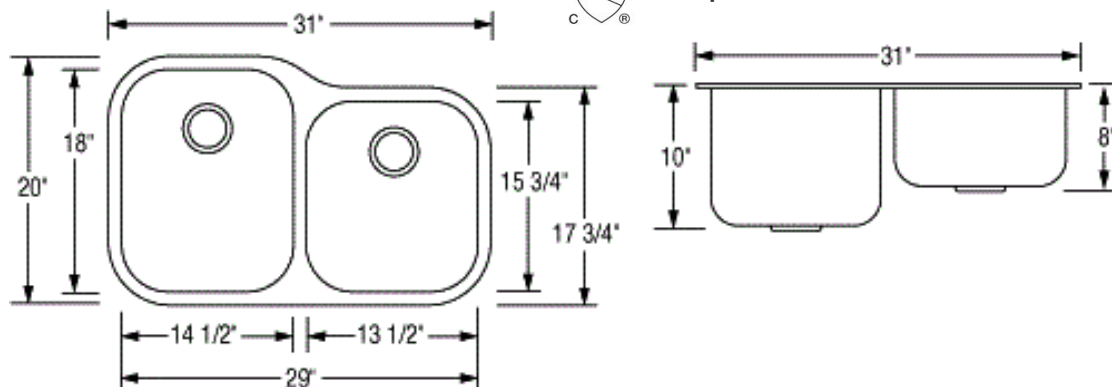
**BG16S GRID**  
Optional



**Sink Strainer**  
Optional



**Stainless Steel Sink Cleaner**  
Optional



#### Product Specification

The undermount sink shall be 31" in length and 20" in width. Sink shall be made of 16 gauge stainless steel. Sink shall have brushed finished rim. Sink shall be a double bowl. Sink shall be an Artisan model AR3221-D10/8.