

AR3218-D9/7

Premium 16 Gauge 304 Stainless Steel Double Bowl Undermount Sink

Model: AR3218-D9/7



Dimensions

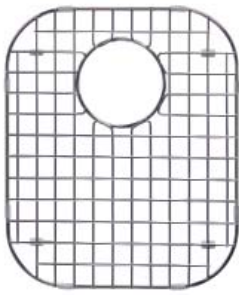
- Overall Size: 30" x 17-3/4"
- Left Bowl: 13-1/2" x 15-3/4" x 9"D
- Right Bowl: 13-1/2" x 15-3/4" x 7"D
- Drain Opening: 3-1/2"

Optional Accessories

- Bowl Grid: BG-16S – 12-1/2" x 14-1/2"
- Sink Strainer
- Stainless Steel Sink Cleaner

Features

- Heavy 16 gauge 304 stainless steel
- Proprietary V-Therm Shield™
 - Provides superior sound deadening and thermal retention
- High luster satin finish
- Stain and corrosion resistant



BG-16S Grid
Optional



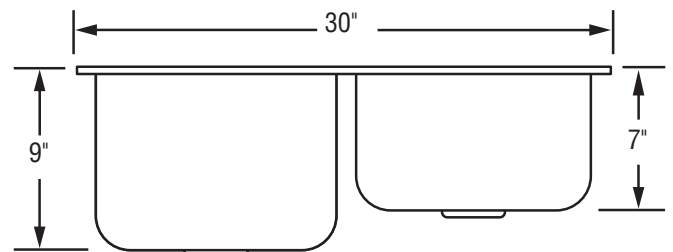
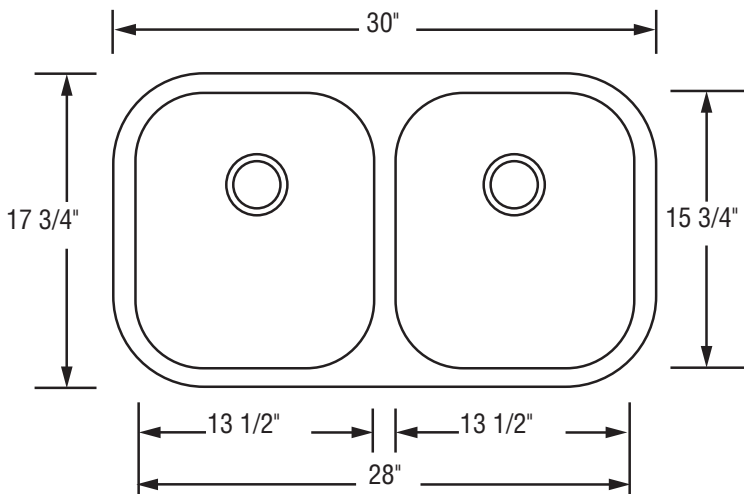
Sink Strainer
Optional



Stainless Steel Sink Cleaner
Optional



Complies with ASME A112.19.3-2000



Product Specification

The undermount sink shall be 30" in length and 17 3/4" in width. Sink shall be made of 16 gauge stainless steel. Sink shall have brushed finished rim. Sink shall be a double bowl. Sink shall be an Artisan model AR3218-D9/7.