

## AR3218-D10/8

### Premium 16 Gauge 304 Stainless Steel Double Bowl Undermount Sink



#### Model: AR3218-D10/8

#### Dimensions

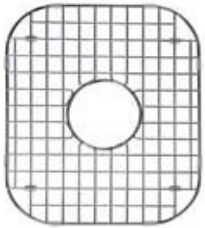
- Overall Size: 30" x 17 3/4"
- Left Bowl Size: 13-1/2" x 15-3/4" x 10"D
- Right Bowl Size: 13-1/2" x 15-3/4" x 8"D
- Drain Opening: 3 1/2"

#### Optional Accessories

- Sink Grid: BG-16SM (fits both sides)
- Sink Strainer
- Stainless Steel Sink Cleaner

#### Features

- Heavy 16 gauge 304 stainless steel
- Proprietary V-Therm Shield™  
- Provides superior sound deadening and thermal retention.
- High luster satin finish
- Stain and corrosion resistant



**BG16SM GRID**  
Optional



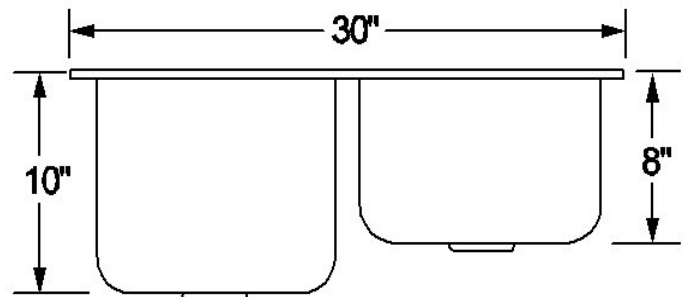
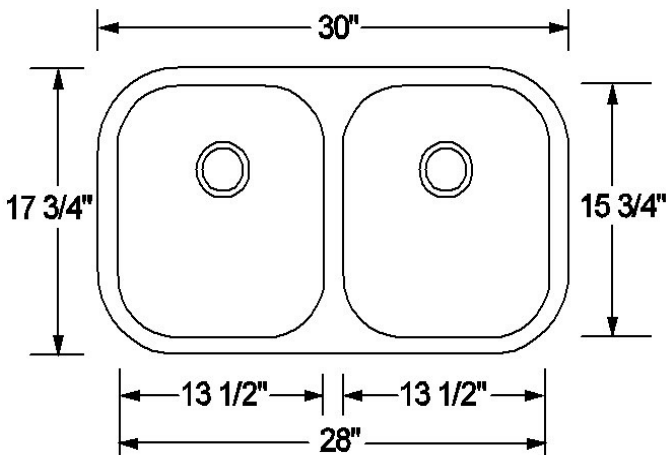
**Sink Strainer**  
Optional



**Stainless Steel Sink Cleaner**  
Optional



Complies with ASME A112.19.3-2000



#### Product Specification

The undermount sink shall be 30" in length and 17 3/4" in width. Sink shall be made of 16 gauge stainless steel. Sink shall have brushed finished rim. Sink shall be a double bowl. Sink shall be an Artisan model AR3218-D10/8.