

80% Oil Furnace

Basement-Direct & Belt Drive

RLBF(R)



FEATURES AND BENEFITS

- ◆ Heavy-duty 14 gauge steel heat exchanger with a long lasting ceramic fiber combustion chamber
- ◆ Easy access large diameter clean out ports in heat exchanger
- ◆ Foil-faced high density fiberglass insulation in cabinet reduces heat loss and noise
- ◆ Cabinet has pre-painted steel for maximum durability
- ◆ Internal filter included
- ◆ Direct drive have slide-out design blower with quick plug-in wiring
- ◆ 4-speed PSC direct drive have dynamically balanced blower with resilient motor mounts for smooth and quiet operation
- ◆ Belt drive models have permanently lubricated split phase blower motor, adjustable pulley and sheave
- ◆ High quality Beckett Flame Retention burner for efficient combustion
- ◆ High efficiency air flow system to provide consistent operation through all operating conditions
- ◆ Honeywell 7184B primary control with 15 second pre-purge, interrupted ignition, limited reset, and LED diagnostics
- ◆ Solid state igniter with 20kW output voltage
- ◆ PSC motor with low amp draw and ball bearings for long life
- ◆ Readily available trade components
- ◆ 40 VA transformer (Direct drive only)
- ◆ Color coded wiring for easy service
- ◆ Transformer and cooling fan relay are factory wired for easy add-on cooling installation (Direct drive only)
- ◆ Includes standard barometric damper
- ◆ Optional sidewall vent kit
- ◆ Factory wired
- ◆ Limited life-time warranty on heat exchanger
- ◆ Five year limited warranty on all parts

ACCESSORIES

- ◆ Coil cabinet
- ◆ Combustion air boot
- ◆ Cleanout brush kit

CONCORD

Physical & Electrical Data

Model	Nozzle Size	Input (Btu/h)	Output (Btu/h)	AFUE	Nom. Cooling Cap.	Flue Dia. (in.)	Filter Size (in.)	Volts/Hz/Phase	Max. Time Delay Breaker or Fuse (amp)	Trans. (V.A.)	Shipping Weight (lb.)
RLBF80C57/72D12	.50GPH-80°A	70,000	57,000	83	2.0-3.0	6	18 x 19	120/60/1	15	40	250
	.65GPH-80°B	90,000	74,000								
RLBF80C84/95D16	.65GPH-80°B	105,000	85,000	81	2.5-4.0	6	18 x 19	120/60/1	15	40	250
	.75GPH-80°B	119,000	97,000								
RLBF80C112/125D20	.85GPH-80°B	140,000	113,000	81	3.0-5.0	6	19 x 21	120/60/1	15	40	285
	1.00GPH-80°B	154,000	125,000								
RLBR80C57/72D12	.50GPH-80°A	70,000	57,000	83	2.0-3.0	6	18 x 19	120/60/1	15	40	250
	.65GPH-80°B	90,000	74,000								
RLBR80C84/95D16	.65GPH-80°B	105,000	85,000	81	2.5-4.0	6	18 x 19	120/60/1	15	40	255
	.75GPH-80°B	119,000	97,000								
RLBR80C112/125D20	.85GPH-80°B	140,000	113,000	81	3.0-5.0	6	19 x 21	120/60/1	15	40	290
	1.00GPH-80°B	154,000	125,000								
RLBR80C140/168D20	1.10GPH-80°B	175,000	140,000	80	3.5-5.0	6	20 1/8 x 22 7/16	120/60/1	15	40	295
	1.25GPH-80°B	210,000	168,000								
RLBF80C57B08	.50GPH-80°A	70,000	57,000	82	2.0-2.5 ¹	6	18 x 19	120/60/1	15	12 ²	255
RLBF80C84/95B10	.65GPH-80°B	105,000	85,000	81	2.0-3.0 ¹	6	18 x 19	120/60/1	15	12 ²	255
	.75GPH-80°B	119,000	96,000	81							
RLBF80C112/125B16	.85GPH-80°B	140,000	113,000	81	3.0-5.0 ¹	6	19 x 21	120/60/1	20	12 ²	290
	1.00GPH-80°B	154,000	125,000	81							
RLBR80C57B08	.50GPH-80°A	70,000	57,000	82	2.0-2.5 ¹	6	18 x 19	120/60/1	15	12 ²	260
RLBR80C84/95B10	.65GPH-80°B	105,000	85,000	81	2.0-3.0 ¹	6	18 x 19	120/60/1	15	12 ²	260
	.75GPH-80°B	119,000	97,000	81							
RLBR80C112/125B16	.85GPH-80°B	140,000	113,000	81	3.0-5.0 ¹	6	19 x 21	120/60/1	20	12 ²	295
	1.00GPH-80°B	154,000	125,000	81							
RLBR80C196B24	1.50GPH-80°B	245,000	196,000	80	5.0-6.0	8	24 5/8 x 24 3/8	120/60/1	20	12 ²	390

¹See Table for Alternate Motors for Cooling Combinations

²12 Volt heating only. Additional transformer required for cooling applications.

NOTE: All models are rated at 140 psi pump pressure except the RLBF/R 57/72 which is rated at 100 psi.

Blower Performance Data - Direct Drive

Model	Motor Size (hp)	Blower Size	Temp. Rise (°F)	Blower Speed	CFM @ ext. static pressure - in. W.C.							
					.20	.30	.40	.50	.60	.70	.80	.90
RLBF80C57/72D12	1/3	10 x 8	45 - 75	High	1,400	1,350	1,307	1,250	1,187	1,105	1,027	914
				Med High	1,136	1,130	1,103	1,075	1,027	967	895	765
				Med	930	917	903	867	843	798	728	632
				Low	783	773	753	732	706	663	604	518
RLBF80C84/95D16	1/2	10 x 9	45 - 75	High	1,760	1,670	1,599	1,550	1,410	1,315	1,170	998
				Med High	1,603	1,415	1,459	1,394	1,307	1,190	1,080	936
				Med	1,373	1,345	1,300	1,259	1,188	1,075	975	832
				Low	1,162	1,150	1,130	1,105	1,033	955	853	650
RLBF80C112/125D20	3/4	12 x 10	45 - 75	High	2,160	2,080	2,010	1,969	1,850	1,735	1,627	1,510
				Med High	1,850	1,810	1,744	1,670	1,580	1,510	1,403	1,305
				Med	1,650	1,600	1,580	1,490	1,430	1,370	1,310	1,236
				Low	1,480*	1,470*	1,445*	1,380*	1,330*	1,276*	1,197*	1,090*
RLBR80C57/72D12	1/3	10 x 8	45 - 75	High	1,400	1,350	1,307	1,250	1,187	1,105	1,027	914
				Med High	1,136	1,130	1,103	1,075	1,027	967	895	765
				Med	930	917	903	867	843	798	728	632
				Low	783	773	753	732	706	663	604	518
RLBR80C84/95D16	1/2	10 x 9	45 - 75	High	1,760	1,670	1,599	1,550	1,410	1,315	1,170	998
				Med High	1,603	1,415	1,459	1,394	1,307	1,190	1,080	936
				Med	1,373	1,345	1,300	1,259	1,188	1,075	975	832
				Low	1,162	1,150	1,130	1,105	1,033	955	853	650
RLBR80C112/125D20	3/4	12 x 10	45 - 75	High	2,221	2,124	2,029	1,980	1,835	1,730	1,575	1,514
				Med High	1,815	1,755	1,704	1,625	1,549	1,454	1,350	1,250
				Med	1,564	1,525	1,501	1,435	1,369	1,279	1,206	1,114
				Low	1,360*	1,355*	1,310*	1,260*	1,205*	1,150*	1,087*	998*
RLBR80C140/168D20	3/4	12 x 10	45 - 75	High	2,245	2,138	2,034	1,985	1,833	1,750	1,690	1,550
				Med High	1,835	1,780	1,729	1,670	1,609	1,523	1,415	1,318
				Med	1,620	1,590	1,540	1,490	1,435	1,335	1,269	1,188
				Low	1,460*	1,435*	1,400*	1,320*	1,280*	1,200*	1,132*	1,050*

*Not recommended for heating. Temperature rise may be outside acceptable range.

Blower Performance Data - Belt Drive

Model	Motor Size (hp)	Blower Size	Motor Pulley (in.)	Motor Pulley Adjustment	Blower Pulley (in.)	Belt Size (in.)	Temp. Rise (°F)	CFM @ .20 ext. static pressure - in. W.C.
RLBF80C57B08	1/6	10 x 8	3 1/4	1 Turn	7	40	45 - 75 ¹	980
RLBF80C84/95B10	1/4	10 x 8	4	Closed	7	41	45 - 75 ¹ 55 - 85 ²	1300
RLBF80C112/125B16	3/4	12 x 9	4	Closed	7	42	50 - 80 ¹ 55 - 85 ²	1750
RLBR80C57B08	1/6	10 x 8	3 1/4	1 Turn	7	40	50 - 80	860
RLBR80C84/95B10	1/4	10 x 8	4	Closed	7	41	50 - 80 ¹ 55 - 85 ²	1220
RLBR80C112/125B16	3/4	12 x 9	4	Closed	7	42	55 - 85 ¹ 60 - 90 ²	1700
RLBR80C196B24	3/4	12 x 12	6	Closed	3 1/2	42	65 - 95	2660

¹ Low Fire Nozzle

² High Fire Nozzle

Alternate Motors for Cooling Combinations - Belt Drive

Model	Nominal Cooling Capacity	Motor Size (in.)	Blower Size (in.)	Motor Pulley (in.)	Motor Pulley Adjustment	Blower Pulley (in.)	Belt Size (in.)	CFM @ ext. static pressure - in. W.C.			
								.20	.30	.40	.50
RLBF80C57B08	2.0 - 2.5	1/4	10 x 8	7	Closed	4	41	1,340*	1,320*	1,180	1,080
RLBF80C84/95B10	2.0 - 3.5	1/2	10 x 8	6	Closed	4	40	1,770	1,680	1,560	1,430
RLBF80C112/125B16	4.0 - 5.0	3/4	12 x 9	5	Closed	3 1/4	38	2,050	2,000	1,930	1,880
RLBR80C57B08	2.0 - 2.5	1/4	10 x 8	7	Closed	4	41	1,260	1,185	1,095	1,000
RLBR80C84/95B10	2.0 - 3.5	1/2	10 x 8	6	Closed	4	40	1,600	1,540	1,480	1,400
RLBR80C112/125B16	4.0 - 5.0	3/4	12 x 9	5	Closed	3 1/4	38	2,020	1,980	1,910	1,860
RLBR80C196B24	5.0 - 6.0	3/4	12 x 12	6	Closed	3 1/2	42	2,660	2,575	2,450	2,350

*Not recommended for heating. Temperature rise may be outside acceptable range.

Note: Field converted with different size motor for cooling applications.

Accessories

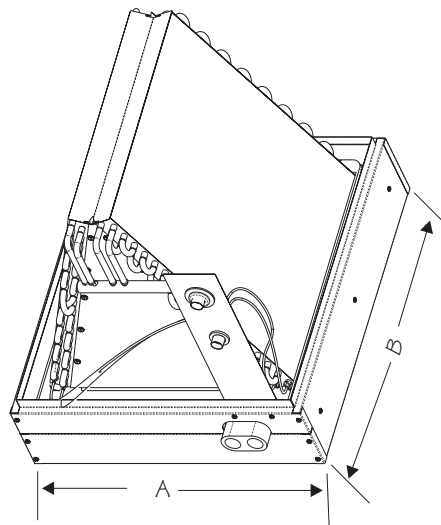
Description	Used with	Kit Number
Clean Out Kit	All models	ABRSH380-3
Tjerlund Side Wall Vent Kit ¹	All models	ASVNT522
Field Controls Side Wall Vent Kit ²	All models	ASVNT523
Evaporator Coil Cabinet	RLBF-R57/72/84/95 to U2E24NB, U2E30NB, U2E36BN, U2E46BN	ACOILKDC19
Evaporator Coil Cabinet	RLBF-R8057/72/84/95 to U2E58C & RLBF-R112/125 to U2E36C, U2E46C, U2E58C	ACOILKDC22
Evaporator Coil Cabinet	RLBR140/168 to U2E46D, U2E58D	ACOILKDC24
Evaporator Coil Cabinet	RLBR196 to U2E58D	ACOILKDC26
Evaporator Coil Cabinet	RLBF-R112/125 to U2E60D & RLBR140/168 to U2E60D	ACOILKDC27
Evaporator Coil Cabinet	RLBR196 to U2E60D	ACOILKDC28
Combustion Air Kit	All models	ABOOT571
Clean Out Cap Kit	All models	ACAP570

¹ This can be ordered from Tjerlund, part number SSII.

² This can be ordered from Field Controls, part number SWG-5-CK61.

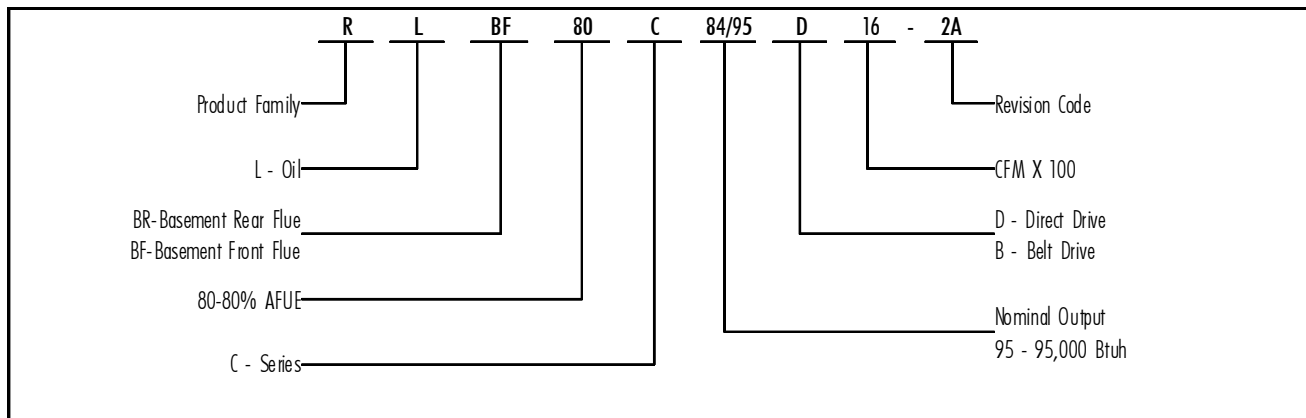
Evaporator Coil Cabinet

Model No.	A	B
ACOILKDC19	19 1/2	22 1/8
ACOILKDC22	22 1/2	23 1/4
ACOILKDC24	24	24 1/4
ACOILKDC26	26	25 5/8
ACOILKDC27	24	24 1/4
ACOILKDC28	26	25 5/8



(Shown with coil installed)

Model Number Guide



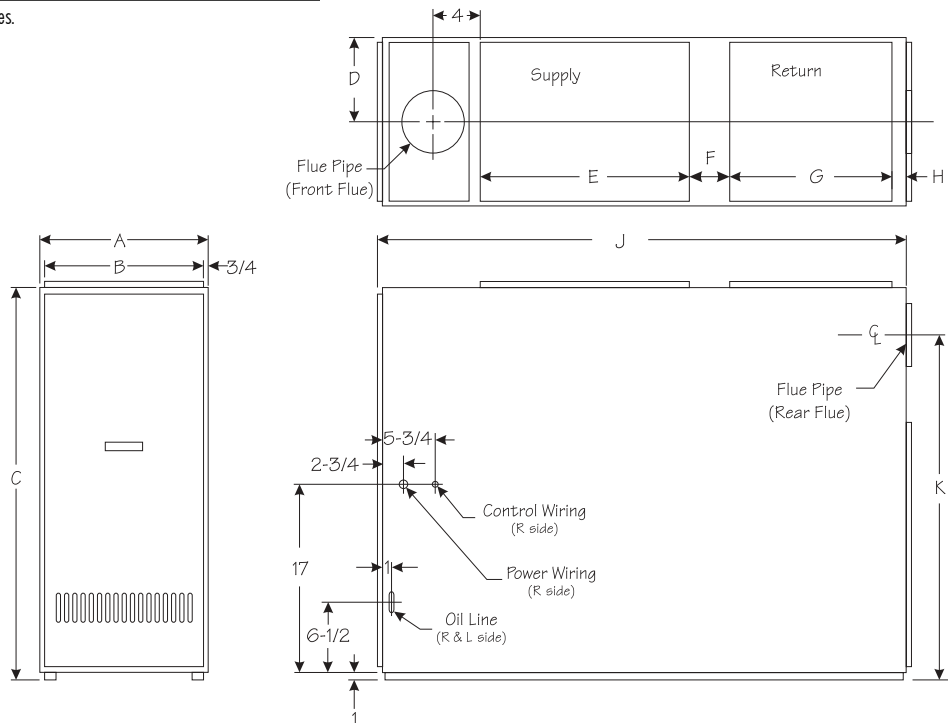
Dimensions (in.)

Model	A	B	C	D	E	F	G	H	J	K
RLBF80C57/72	19 1/2	18	37	9 3/4	21	3 1/4	16	1 1/2	52 1/8	N/A
RLBF80C84/95										
RLBF80C112/125	22 1/2	21	37	11 1/4	21	3 1/4	16	1 1/2	52 1/8	N/A
RLBR80C57/72	19 1/2	18	37	9 3/4	21	3 1/4	16	1 1/2	52 1/8	27
RLBR80C84/95										
RLBR80C112/125	22 1/2	21	37	11 1/4	21	3 1/4	16	1 1/2	52 1/8	29
RLBR80C140/168	24	22 1/2	39	12	23 1/8	2 1/4	18	1	54 3/4	29
RLBR80C196	26	24 1/2	42	13	24 1/2	2 7/16	23	7/8	61 1/8	32

Clearances (in.)

Model Number	Front*	Sides	Rear
RLBF80C57/72	4	6	24
RLBF80C84/95			
RLBF80C112/125			
RLBR80C57/72			
RLBR80C84/95			
RLBR80C112/125			
RLBR80C140/168			
RLBR80C196			

*Clearance from combustibles.



Concord Products
 421 Monroe Street
 Bellevue, OH 44811
 (419) 483-4840

All specifications are subject to change without notice.

