

L85V

PRODUCT SPECIFICATIONS

85% OIL FURNACE VARIABLE SPEED

FORM NO. AL851V-100 (06/2017)



L85UF = Upflow / Highboy
L85BF/R = Basement / Lowboy

CONFIGURATIONS

- Upflow / Highboy
- Basement / Lowboy

HEAT EXCHANGER

- Heavy-duty 14 gauge steel with a long lasting, high temperature ceramic fiber combustion chamber
- Easy access large diameter stainless steel cleanout ports

CABINET

- Foil-faced high density fiberglass insulation reduces heat loss and sound
- Pre-painted steel for maximum durability

AIR DELIVERY

- EON variable speed blower motor
- Motor features “soft start” and “soft stop” for quiet operation
- Active and passive dehumidification feature
- Easily removable slide-out blower design
- Dynamically balanced blower wheel and resilient motor mounts for smooth and quiet operation

BURNER

- High quality Beckett™ Flame Retention NX Burner for efficient combustion
- High efficiency PSC Burner motor to provide consistent operation through all operating conditions
- Solid state ignition provides a consistent 10,000 volts for smooth ignition

INSTALLATION/SERVICEABILITY

- Includes standard barometric damper
- Low GPH nozzle installed, higher GPH nozzle provided (shipped loose)

WARRANTY

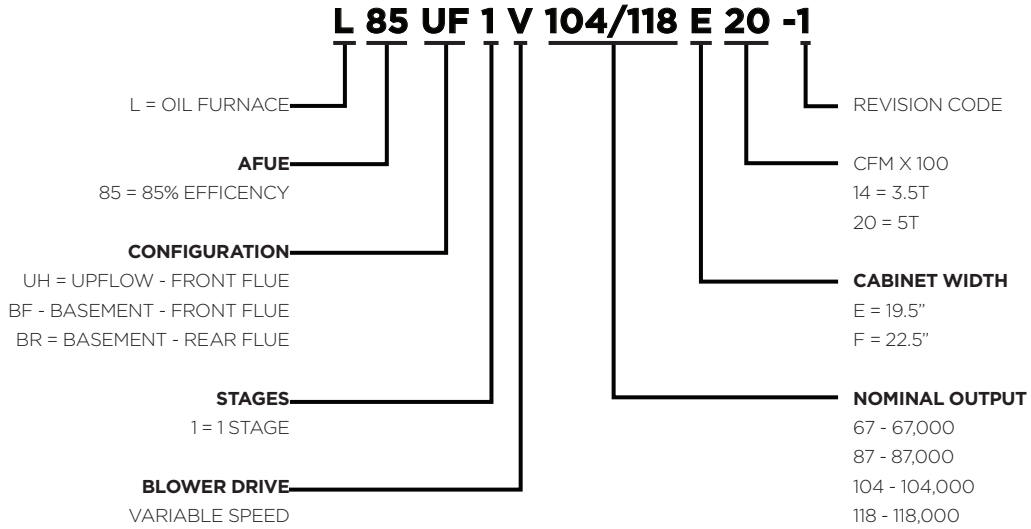
10 year limited parts warranty / lifetime heat exchanger warranty available. See limited warranty document for details.

GENISYS™ ADVANCED BURNER CONTROL (MODEL: 7505P152M) FEATURES THE FOLLOWING:

- Programmable valve-on delay and motor-off delay
- Three indicator lights for system monitoring and diagnostics
- Two communication ports for adding alarm contacts, programming display, and/or future wireless communications
- Welded relay protection with redundant motor relays
- Limited reset and limited recycle
- Sleek, modern design
- Technician Pump Prime mode



MODEL NUMBER GUIDE



PHYSICAL AND ELECTRICAL DATA

Configuration	Model	Nozzle Size	Input (Btuh)	Output (Btuh)	AFUE	Nom. Cooling Cap.	Flue Dia. (in.)	Filter Size (in.)	Volts/Hz/Phase	Max. Time Delay Breaker or Fuse (amp)	Trans. (V.A.)	Shipping Weight (lb.)
Upflow / Highboy	L85UF1V67/87E14	.50GPH-60°A	79,000	67,000	85.0	2.5 - 4.0	6	16 x 25*	120/60/1	15	40	250
		.65GPH-60°A	105,000	87,000								
	L85UF1V104/118F20	.75GPH-60°A	124,000	104,000	85.0	3.0 - 5.0	6	(2) * 16 x 251	120/60/1	15	40	270
		.85GPH-60°A	141,000	118,000								
Basement/Lowboy	L85BF/R1V67/87E14	.50GPH-60°A	79,000	67,000	85.0	2.5 - 4.0	6	18 x 19	120/60/1	15	40	225F
		.65GPH-60°A	105,000	87,000								230R
	L85BF/R1V104/118F20	.75GPH-60°A	124,000	104,000	85.0	3.0 - 5.0	6	19 x 21	120/60/1	15	40	270
		.85GPH-60°A	141,000	118,000								

1 Requires return air be brought to both sides above 1600 CFM
 Note: All models shipped with lower input nozzle installed
 *Filters not included

ACCESSORIES

DESCRIPTION	USED WITH	CATALOG NUMBER	KIT NUMBER
Clean Out Kit	All models	1.841025	ABRSH380-3
Field Controls Side Wall Vent Kit *	All models	See Note Below	See Note Below
Evaporator Coil Mounting Kit	L85B(F/R)67/87 to EU1P (18,24,30,36,43,48) BN "B Width"	1.841175	AGOILKDC19
Evaporator Coil Mounting Kit	L85BF/R67/87 to EU1P (30,43,48,49,50,60) "C Width"	1.841176	AGOILKDC22
Evaporator Coil Mounting Kit	L85BF/R104/118 to EU1P (60, 62) DN "D Width"	1.841177	AGOILKDC24
Combustion Air Kit	All Models	1.841038	ABOOT571
Clean Out Cap Kit	All Models	1.841037	ACAP570
Filter Rack	Only Upflow units (Basement models have racks pre-installed)	R37398C001	5 Pack
Evaporator Coil Cabient Kits			

Note: * This can be ordered from Field Controls, part number SWG-5-CK61.

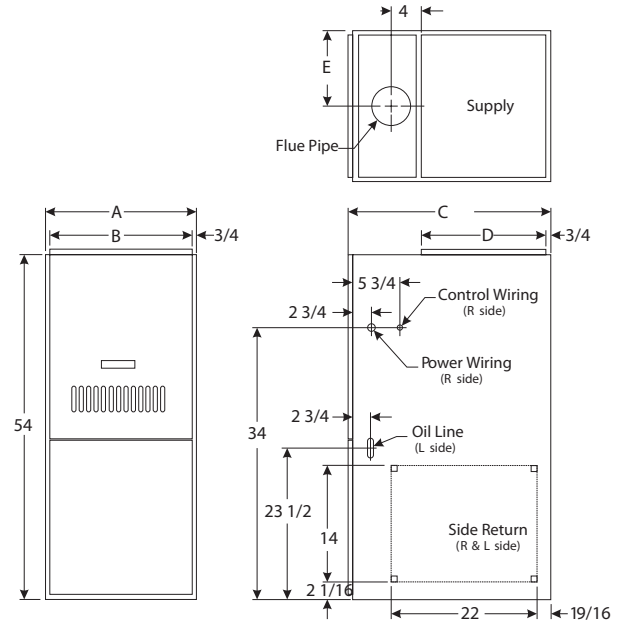
DIMENSIONS (IN.)

UPFLOW

Model	A	B	C	D	E
L85UF1V67/87E14	19-1/2	18	30-5/8	19-5/8	9-3/4
L85UF1V104/118E20	22-1/2	21	33-1/8	22-1/8	11-1/4

CLEARANCES TO COMBUSTIBLES (IN.)

Model	Front	Sides	Rear	Floor	Above	Flue
L85UF1V67/87E14	4	0	0	Combustible	2	6
L85UF1V112/125E20						



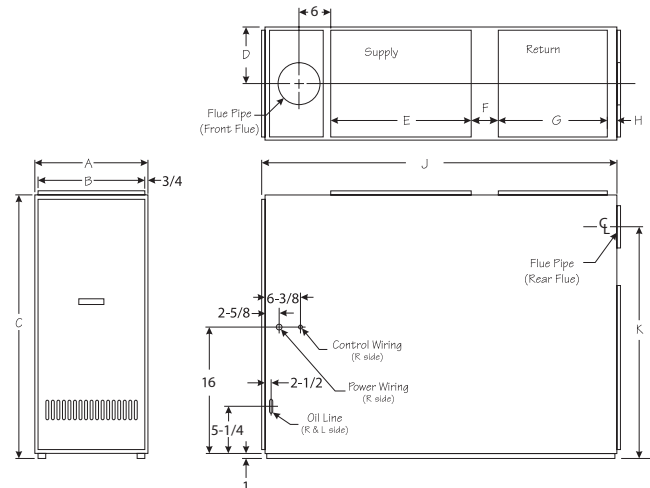
BASEMENT

DIMENSIONS (IN.)

Model	A	B	C	D	E	F	G	H	J	K
L85BF/R1V67/87E14	19-1/2	18	37	9-3/4	21	3-1/4	16	1-1/2	52	N/A
L85BF/R1V104/118E20	22-1/2	21	37	11-1/4	21	3-1/4	16	1-1/2	52	N/A

CLEARANCES TO COMBUSTIBLES (IN.)

Model	Front	Sides	Rear	Above	Flue	Floor
L85BF/R1V67/87E14	4	6	24	2	9	Combustible
L85BF/R1V104/118E20						



BLOWER PERFORMANCE DATA

Configuration	Model	Motor Size (hp)	Blower Size	Nozzle GPH	Temp. Rise °F	Blower Speed Tap	Heating CFM@ 0.50" ESP	Cooling Adjustment	Cooling CFM @ .50 ext static pressure in. W.C.				
									Setting "A"	Setting "B"	Setting "C"	Setting "D"	
Upflow / Highboy	L85UF1V67/87E14	1/2	10 x 10		---	---	---	Nom	1400	1200	1000	800	
						---	---	(+)	1500	1400	1200	1000	
						---	---	(-)	1200	1000	900	650	
						.50	50	D Tap Setting*	1200	---	---	---	---
						.65	50	A Tap Setting*	1500	---	---	---	---
	L85UF1V104/118F20	3/4	12 x 11		---	---	---	Nom	2000	1800	1600	1200	
						---	---	(+)	2000	2000	1800	1600	
						---	---	(-)	1700	1550	1400	1200	
						.75	60	C Tap Setting*	1550	---	---	---	---
						.85	60	A Tap Setting*	1850	---	---	---	---
Basement / Lowboy	L85BF1V67/87E14	1/2	10 x 9		---	---	---	Nom	1400	1200	1000	800	
						---	---	(+)	1500	1400	1200	950	
						---	---	(-)	1200	1050	860	650	
						.50	50	D Tap Setting*	1200	---	---	---	---
						.65	50	B Tap Setting*	1450	---	---	---	---
	L85BF1V104/118F20	1	12 x 10		---	---	---	Nom	2000	1800	1600	1200	
						---	---	(+)	2100	2000	1800	1350	
						---	---	(-)	1650	1500	1350	950	
						.75	60	C Tap Setting*	1550	---	---	---	---
						.85	60	B Tap Setting*	1730	---	---	---	---
	L85BR1V67/87E14	1/2	10 x 9		---	---	---	Nom	1400	1200	1000	800	
						---	---	(+)	1500	1400	1200	950	
						---	---	(-)	1200	1050	860	650	
						.50	50	D Tap Setting*	1200	---	---	---	---
						.65	50	A Tap Setting*	1550	---	---	---	---
	L85BR1V104/118F20	1	12 x 10		---	---	---	Nom	2000	1800	1600	1200	
						---	---	(+)	2100	2000	1800	1350	
						---	---	(-)	1650	1500	1350	950	
.75						60	D Tap Setting*	1450	---	---	---	---	
.85						60	B Tap Setting*	1730	---	---	---	---	

Note: All units shipped with low fire nozzle
 * Required tap to maintain recommended rise.



1-800-448-5872

All specifications and illustrations
subject to change without notice and
without incurring obligations.