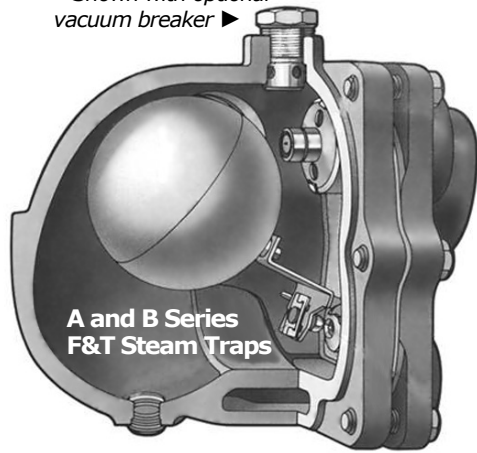


## Armstrong F&T Traps and Repair Parts

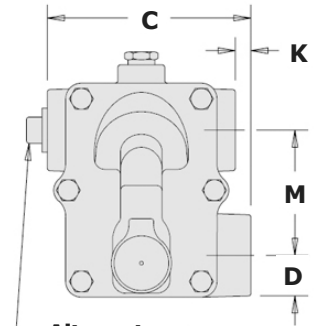
<sup>1</sup> Shown with optional vacuum breaker ▶



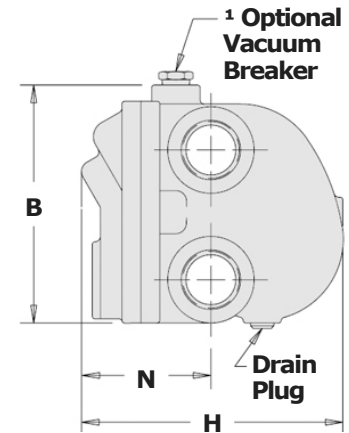
■ The **Armstrong Series "A" F&T's** are used in applications over 15 psig. They feature a phosphor-bronze thermostatic bellows caged in stainless steel. ■ The **Armstrong Series "B" F&T's** are for low pressure heating service from vacuum up to 15 or 30 psig. They use a pressure-balanced Hostelloy™ thermostatic wafer.

■ All sizes, except the 3/4" Series "B", have inlet connections on both sides of the trap body, providing "flexibility" in piping.

■ The easiest way to repair the popular 3/4" and 1" low-pressure Series "B" F&T traps is with the Repair Kit. All the internal parts of the steam trap are boxed together for on-the-job assembly.



**Alternate Inlet**



Trap Series	"A" Series Dimensions					"B" Series Dimensions				
	Trap Size	3/4"	1"	1-1/4"	1-1/2"	2"	3/4"	1"	1-1/4"	1-1/2"
<b>B</b>	5-1/8	5-1/8	5-13/16	7-7/16	9-3/4	4-1/2	5-1/8	5-3/4	7-7/16	9-3/4
<b>C</b>	4-7/8	4-7/8	4-5/8	5-3/4	7-5/8	3-7/8	4-7/8	4-5/8	5-3/4	7-5/8
<b>H</b>	6-7/16	6-7/16	8-1/8	8-7/16	11-5/8	5-3/8	6	7-3/4	8-7/16	11-5/8
<b>K</b>	3/8	3/8	—	—	—	1/8	3/8	—	—	—
<b>M</b>	3	3	3	4-3/16	6	2-3/4	3	3	4-3/16	6
<b>N</b>	3-3/8	3-3/8	3-3/4	3-3/4	5	2-9/16	3	3-3/8	3-3/4	5

Complete F&T Traps			
Model No.	Pipe Size	Maximum Pressure	Order No.
<b>"B" Series Float and Thermostatic Traps</b>			
15-B2	1/2"	15	AN1239
15-B3	3/4"		AN1240
15-B4	1"		AN1245
15-B5	1 1/4"		AN1250
15-B6	1 1/2"		AN1255
15-B8	2"		AN1260
30-B3	3/4"	30	AN1261
30-B4	1"		AN1262
30-B5	1 1/4"		AN1263
30-B6	1 1/2"		AN1264
30-B8	2"		AN1225
<b>"A" Series Float &amp; Thermostatic Traps</b>			
30-A3	3/4"	30	AN1230
30-A4	1"		AN1231
30-A5	1 1/4"		AN1232
30-A6	1 1/2"		AN1233
30-A8	2"		AN1234

Related Repair Parts & Head Assembly						
Valve Mechanism	Float	Cover Gasket	Air Vent	*Repair Kit	<sup>1</sup> Vacuum Breaker	
<b>"B" Series Repair Parts and Head Assemblies</b>						
AO1170	AO1085	AO1150	AO1005	AO1167A	AO1650	
AO1170	AO1085	AO1150		AO1167A	AO1650	
AO1175	AO1090	AO1155		AO1167B	AO1650	
AO1180	AO1090	AO1155		Order individual repair parts.	AO1650	
AO1185	AO1100	AO1160			AO1655	
AO1190	AO1105	AO1165			AO1655	
AO1171	AO1085	AO1150			AO1650	
AO1172	AO1090	AO1155			AO1650	
AO1175	AO1090	AO1155			AO1650	
AO1186	AO1100	AO1160		No repair kits available	AO1655	
AO1191	AO1105	AO1165	AO1655			
<b>"A" Series Repair Parts</b>						
AO1172	AO1090	AO1155	AO1010		Individual Parts Only	AO1650
AO1172	AO1090	AO1155		AO1650		
AO1175	AO1090	AO1155		AO1650		
AO1186	AO1100	AO1160		AO1655		
AO1191	AO1105	AO1165		AO1655		

"A" Series Continued on Next Page . . .

\*The **Repair Kit** contains all the repair parts pre-boxed for easy on-the-job installation. <sup>1</sup> **Vacuum Breaker** is optional - Not included with Complete Traps.

## Armstrong F&T Traps and Repair Parts

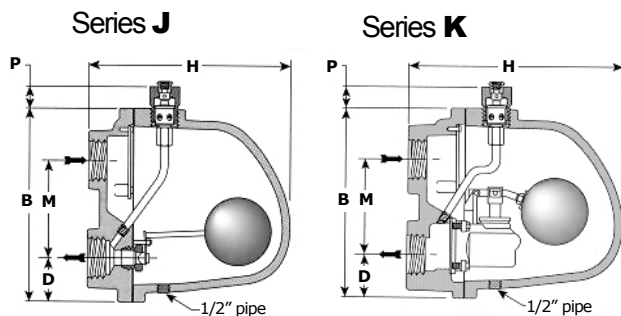
"A" Series Float & Thermostatic Traps				Related Repair Parts				
Model No.	Pipe Size	Maximum Pressure PSIG	Order No.	Valve Mechanism	Stainless Steel Float	Cover Gasket	Air Vent	<sup>1</sup> Vacuum Breaker
75-A3	3/4"	75	AN1235	AO1171	AO1090	AO1155	AO1010	AO1650
75-A4	1"		AN1220	AO1171	AO1090	AO1155		AO1650
75-A5	1 1/4"		AN1221	AO1170	AO1090	AO1155		AO1650
75-A6	1 1/2"		AN1222	AO1188	AO1100	AO1160		AO1655
75-A8	2"		AN1223	AO1193	AO1105	AO1165		AO1655
125-A3	3/4"	125	AN1215	AO1174	AO1090	AO1155		AO1650
125-A4	1"		AN1205	AO1174	AO1090	AO1155		AO1650
125-A5	1 1/4"		AN1210	AO1171	AO1090	AO1155		AO1650
125-A6	1 1/2"		AN1211	AO1189	AO1100	AO1160		AO1655
125-A8	2"		AN1212	AO1194	AO1105	AO1165		AO1655
175-A3	3/4"	175	AN1265	AO1173	AO1090	AO1155		AO1650
175-A4	1"		AN1266	AO1173	AO1090	AO1155		AO1650
175-A5	1 1/4"		AN1267	AO1173A	AO1090	AO1155		AO1650
175-A6	1 1/2"		AN1268	AO1173B	AO1100	AO1160		AO1655
175-A8	2"		AN1269	AO1173C	AO1105	AO1165		AO1655

<sup>1</sup> Vacuum Breaker is optional - Not included with Complete Traps.

## Armstrong "K" and "J" Float & Thermostatic Traps and Parts

These Armstrong high-capacity F&T traps are designed to discharge large quantities of condensate from large heat producing units: Heat exchangers, big unit heaters, etc. The mechanism and seat are made from stainless steel, and the balanced pressure thermostatic air vent is made of stainless steel with a phosphor bronze bellows. The entire thermostatic unit is caged in stainless steel. These workhorses are made to handle lots and lots of water!

Complete K & J Models				Related Repair Parts			
Model No.	Pipe Size	Maximum Pressure	Order No.	Valve Mechanism	Stainless Steel Float	Cover Gasket	Air Vent
50-K10	2 1/2"	50	AN1280	AO1168	AO1107	AO1167	AO1010
15-J8	2"	15	AN1272	AO1169	AO1105		
30-J8		30	AN1273	AO1169A			
75-J8		75	AN1274	AO1169B			
125-J8		125	AN1275	AO1169C			
175-J8		175	AN1276	AO1169D			



Trap Dimensions	
Key	Dimensions
B	13-1/16"
H	14-11/16"
M	6-5/8"
P	1-13/16"
D	2-15/16"
Weight	87 lbs.

# Armstrong Series L & M Industrial F&T Steam Traps & Parts

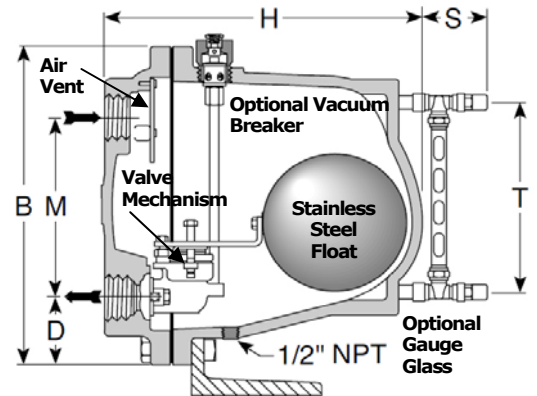


**Operating Steam Pressures up to 250 psi;  
Condensate Capacities to 208,000 lb/hr.**

The rugged cast iron construction of the L & M Ultra-Capacity F&T steam traps provides years of trouble-free service. All operating internals are constructed of stainless steel. The integral thermostatic air vent responds to the pressure-temperature curve of steam at any pressure from zero to 250 psig.

- Available with Integral Vacuum Breakers and Armored Gauge Glass rated to 250 psig.
- Inquire about use as a liquid drainer only—
- No integral air vent would be installed, and use as a Condensate Controller for Syphon Drainage service.

**Call 800.772.2099 for more information.**



Model No.	Pipe Size NPT	Max PSI	WGT LBS.	Trap Order No.	◇ Air Vent	Valve Mech. Assy.	S.S. Float	Body Gasket & VB
<b>"L" Series F&amp;T Trap Only</b>								
L8	2"	30	196	AN1610	AO1010 <i>Includes Body Gasket</i>	AO1194A	AO1194H	Body Gasket AO1194M
		100		AO1194B				
		150		AO1194C				
		250		AO1194D				
L10	2½"	30	AN1610G	AO1194A	Vacuum Breaker NONE			
		100	AN1610H	AO1194B				
		150	AN1610K	AO1194C				
		250	AN1610M	AO1194D				

<b>"L" Series F&amp;T Trap with Vacuum Breaker</b>								
L8	2"	30	196	AN1610N	AO1010 <i>Includes Body Gasket</i>	AO1194A	AO1194H	Body Gasket AO1194M
		100		AN1610R		AO1194B		
		150		AN1610T		AO1194C		
		250		AN1610U		AO1194D		
L10	2½"	30	AN1610V	AO1194A	Vacuum Breaker AO1655 To 150 psi			
		100	AN1610X	AO1194B				
		150	AN1610Y	AO1194C				
		250	AN1610Z	AO1194D				

<b>"L" Series F&amp;T Trap with Vacuum Breaker &amp; Gauge Glass</b>								
L8	2"	30	196	AN1611	AO1010 <i>Includes Body Gasket</i>	AO1194A	AO1194H	Body Gasket AO1194M
		100		AN1611A		AO1194B		
		150		AN1611C		AO1194C		
		250		AN1611E		AO1194D		
L10	2½"	30	AN1611H	AO1194A	Vacuum Breaker AO1655 To 150 psi			
		100	AN1611K	AO1194B				
		150	AN1611M	AO1194C				
		250	AN1611N	AO1194D				

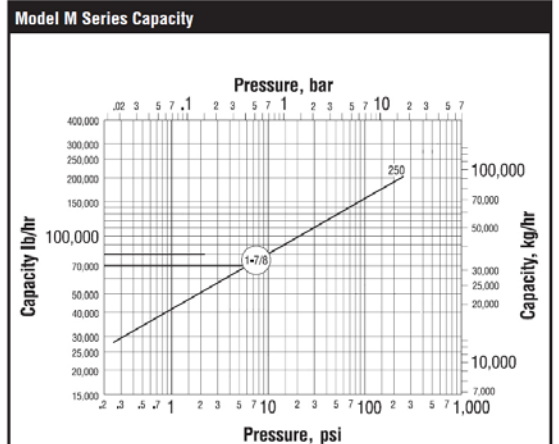
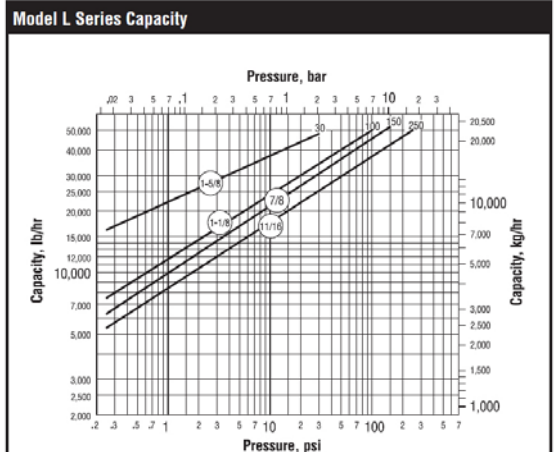
<b>"M" Series F&amp;T Trap Only</b>								
M12	3"	250	196	AN1611P	AO1010	AO1194E	AO1194K	AO1194M

<b>"M" Series F&amp;T Trap with Gauge Glass</b>								
M12	3"	250	196	AN1611R	AO1010	AO1194E	AO1194K	AO1194M

<b>"M" Series F&amp;T Trap with *Vacuum Breaker &amp; Gauge Glass</b>								
M12	3"	250	196	AN1611T	AO1010	AO1194E	AO1194K	AO1194M

\* Replacement Vacuum Breaker = AO1655 ◇ Air Vent comes with one Body Gasket

L and M Series Traps				
Trap Series	L		M	
	in	mm	in	mm
Pipe Connection	2, 2-1/2	3	50, 65	80
"B" (Height)	20-1/4		514	
"C" (Width)	14-3/4		375	
"D" (Bottom to ¢)	4-3/16		106	
"H" (Length)	19-3/4		502	
"M" (¢ to ¢)	11-5/16		287	
"S" (Gauge Glass Width)	3-3/4		95.2	
"T" (Gauge Glass Height)	12		305	
Weight lb (kg)			196 (88.9)	



# Armstrong AIC F&T Traps for Vertical & Horizontal Flows

Available in Flanged or Screwed Connections

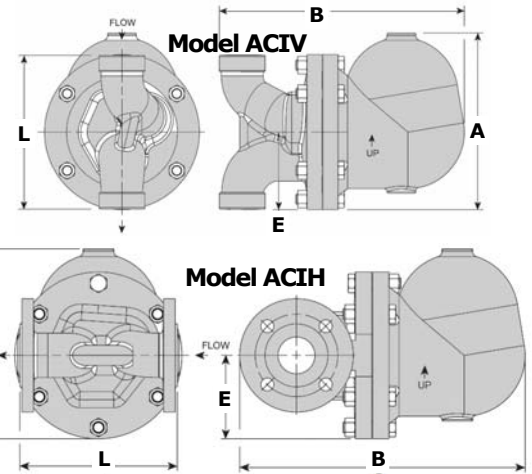
Strong Ductile Iron Construction

All Stainless Steel Internal Operating Components

Select from Vertical or Horizontal Installation

**Rated Up to 465 psi Operating Steam Pressure**

- Work well against back-pressure, while providing both continuous condensate drainage & air venting.
- The Hastelloy thermostatic air vent operates freely at steam temperatures up to 572° F.
- Optional Vacuum Breaker.
- Choose from NPT or ANSI Flanged pipe connection.



Model No.	Pipe Size	Flow Pattern	Max. Oper. PSI	WGT LBS.	Order No.	Mechanism Assembly LESS Float	Float Only	Air Vent Assembly	Gasket Set	A	B SCRW 150#	B FLGD 300#	L SCRW 150#	L FLGD 300#	E
100-AICF-H-6	1½"	HORZ	100	75	AN1615	AO4700	AO4700E	AO4700H	AO4700K	11.0	—	16½	—	9.0	4¼
200-AICF-H-6	Flanged 300#		200		AN1615A	AO4700A				11.0	—	16½	—	9.0	4¼
465-AICF-H-6			465		AN1615C	AO4700C				11.0	—	16½	—	9.0	4¼
100-AIC-H-6	1½"	Screwed 150#	100	70.5	AN1615E	AO4700				11.0	12¾	—	10½	—	4¼
200-AIC-H-6	200		AN1615H		AO4700A	11.0				12¾	—	10½	—	4¼	
465-AIC-H-6	465		AN1615K		AO4700C	11.0				12¾	—	10½	—	4¼	
100-AICF-V-6	1½"	VERT	100	75	AN1615M	AO4700				11.0	—	16½	—	9.0	4¼
200-AICF-V-6	Flanged 300#		200		AN1615N	AO4700A				11.0	—	16½	—	9.0	4¼
465-AICF-V-6			465		AN1615P	AO4700C				11.0	—	16½	—	9.0	4¼
100-AIC-V-6	1½"	Screwed 150#	100	70.5	AN1615R	AO4700				11.0	12¾	—	10½	—	4¼
200-AIC-V-6	200		AN1615T		AO4700A	11.0				12¾	—	10½	—	4¼	
465-AIC-V-6	465		AN1615U		AO4700C	11.0				12¾	—	10½	—	4¼	
100-AICF-H-8	2"	HORZ	100	75	AN1617	AO4700				10¾	—	16¾	—	9¼	4¼
200-AICF-H-8	Flanged 300#		200		AN1617A	AO4700A				10¾	—	16¾	—	9¼	4¼
465-AICF-H-8			465		AN1617C	AO4700C				10¾	—	16¾	—	9¼	4¼
100-AIC-H-8	2"	Screwed 150#	100	70.5	AN1617E	AO4700				10¾	13¾	—	11¼	—	4¼
200-AIC-H-8	200		AN1617H		AO4700A	10¾				13¾	—	11¼	—	4¼	
465-AIC-H-8	465		AN1617K		AO4700C	10¾				13¾	—	11¼	—	4¼	
100-AICF-V-8	2"	VERT	100	75	AN1617M	AO4700				10¾	—	16¾	—	9¼	4¼
200-AICF-V-8	Flanged 300#		200		AN1617N	AO4700A				10¾	—	16¾	—	9¼	4¼
465-AICF-V-8			465		AN1617P	AO4700C				10¾	—	16¾	—	9¼	4¼
100-AIC-V-8	2"	Screwed 150#	100	70.5	AN1617R	AO4700				10¾	13¾	—	11¼	—	4¼
200-AIC-V-8	200		AN1617T		AO4700A	10¾				13¾	—	11¼	—	4¼	
465-AIC-V-8	465		AN1617U		AO4700C	10¾				13¾	—	11¼	—	4¼	

