

6036BFSC – ACCESSIBLE SHOWERS

inches (mm)

Interior: 60 x 36 x 79 (1525 x 915 x 2005)

Exterior: 65 x 37 x 83 ½ (1650 x 940 x 2120)

Fax on Demand #6031



AQUATIC ADVANTAGE

- National distribution
- 5 manufacturing facilities
- Private fleet
- Centralized customer service
- Field support
- 24-hour fax-on-demand

COLOR & TRIM OPTIONS

Stock	Premium
Almond	Black
Bone	Mexican Sand
Linen/Biscuit	Sandbar
Sterling Silver	
White	

**Additional custom colors available.
(Contact Customer Service)

FEATURES

- Acrylic surface
- 1" (25 mm) skirt
- No interior threshold
- Barrier free when properly installed
- Smooth wall
- Center drain
- Integral dome
- 5-year limited warranty

OPTIONS

- Grab bars
- Molded seat
- Fold-up seat
- Hand-held shower assembly with slide bar
- Pressure balancing mixing valve
- Soap dish
- Curtain rod and/or shower curtain
- Dome light

CODE COMPLIANCE

- ADA
- FHA
- ICC/ANSI A117.1
- TAS
- ANSI Z124.1.2
- HUD UM73a
- CAN/CSA-B651-04
- CAN/CSA-B45-02

**Code compliant when fully equipped and installed according to guidelines.



Aquatic products may be specified as Lasco Bathware.

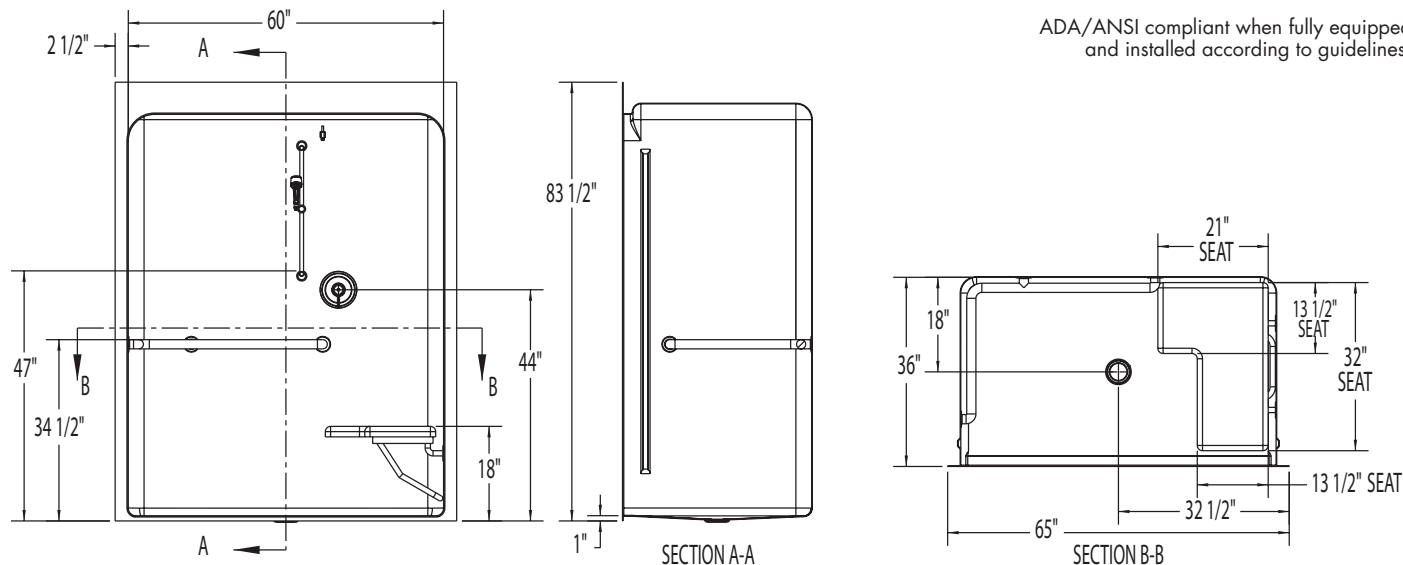


6036BFSC

Interior: 60 x 36 x 79 (1525 x 915 x 2005)
 Exterior: 65 x 37 x 83 1/2 (1650 x 940 x 2120)
 inches (mm)



ADA/ANSI compliant when fully equipped and installed according to guidelines.



FEATURES lbs (kg) Dimensional Tolerance $\pm \frac{3}{8}$ ". Dimensions needed for site preparation should be measured from the unit. Aquatic assumes no responsibility for preparatory work.

Type and Model #	Material	Wall Finish	Pieces	Drain	Dam/Skirt Height	Net Wt.	Pkg. Wt.
Shower #6036BFSC	Acrylic	Smooth	1	Center	1" (25mm) skirt, NO interior threshold	210 (95)	220 (100)

DIMENSIONS

Specifications	inches (mm)
Width: Overall / Net	65 (1650) / 60 (1525)
Depth: Overall / Net	37 (940) / 36 (915)
Height: Overall / Net	83 1/2 (2120) / 79 (2005)
Enclosure Opening:	60 (1525)
Skirt Height:	1 (25)
Drain Rough-In (from Back Wall)	19 (480)
Drain Rough-In (from Side Wall)	32 1/2 (825)

FRAMING DIMENSIONS inches (mm)

Type	D Depth	W Width	H Height	A	B	C
Alcove	37 (940)	65 1/8 (1655)	-	Box Out	32 1/2 (825)	19 (480)

