

TRADITIONAL SHOWER SYSTEMS SPECIFICATIONS



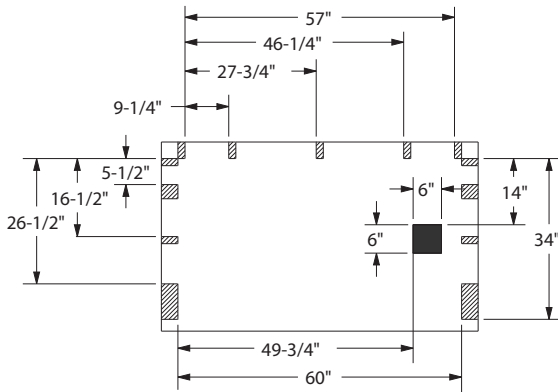
6K6034BB 60" x 34" x 79" Shower System

- Leland Monitor® 17 Series shower components
- Pressure balance valve
- Hand shower and curved grab bars
- Low threshold shower base
- Three piece wall set with stud mount bracket system
- Flip-up seat

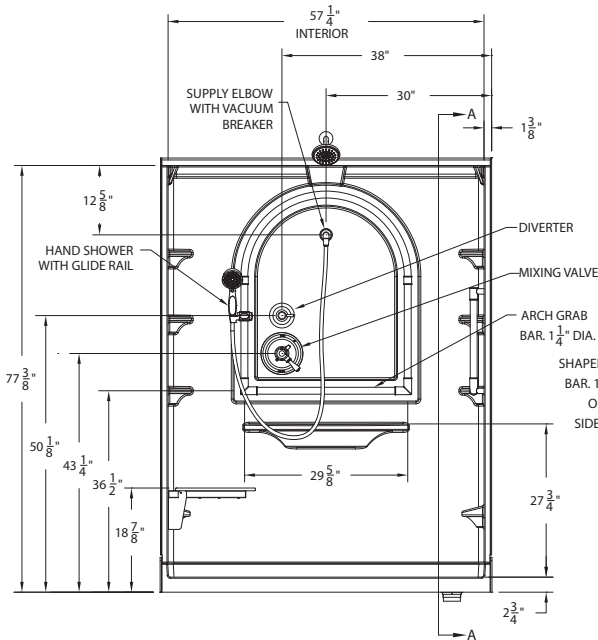
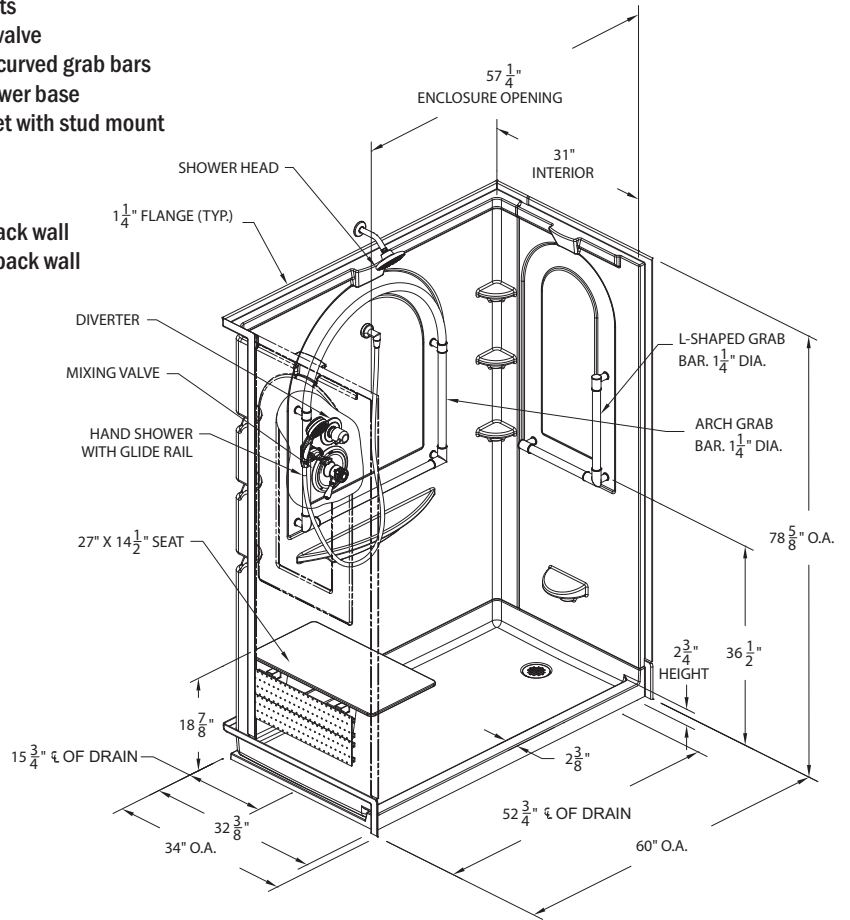
Valve: Left side of back wall
Hand-Held: Center back wall
Seat: Left side wall
Drain: Right



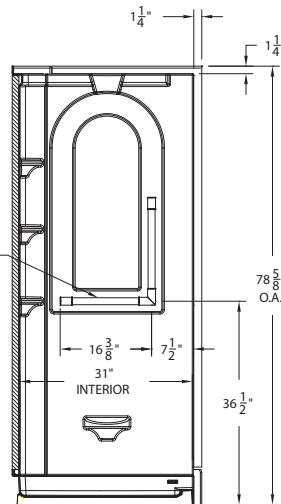
IAPMO/ANSI Z124.1.2
 ASTM F446
 ASTM E84; Class B



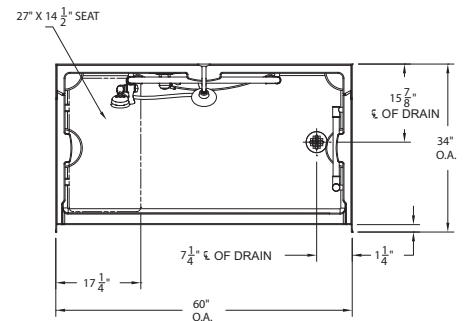
TRENCH DRAIN CUTAWAY & STUD PLACEMENT



FRONT VIEW



SIDE VIEW



TOP VIEW