



226032CR00

60" x 32" x 75"

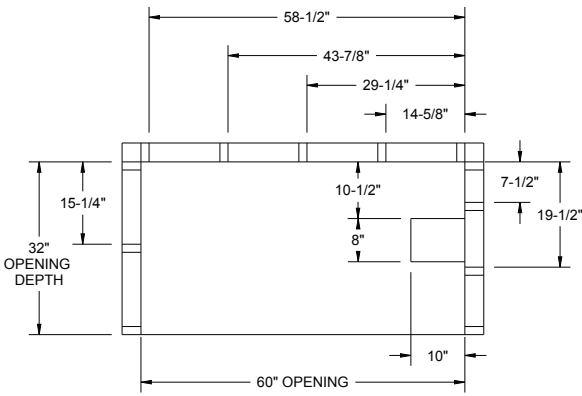
- High gloss acrylic surface
- Smooth, easy-to-handle backing
- Built-in screw guides
- One piece bathtub and shower



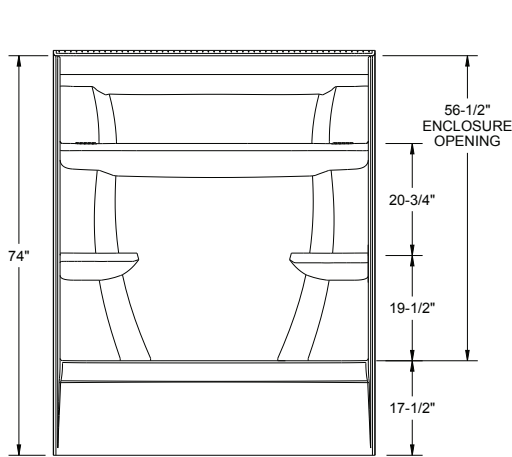
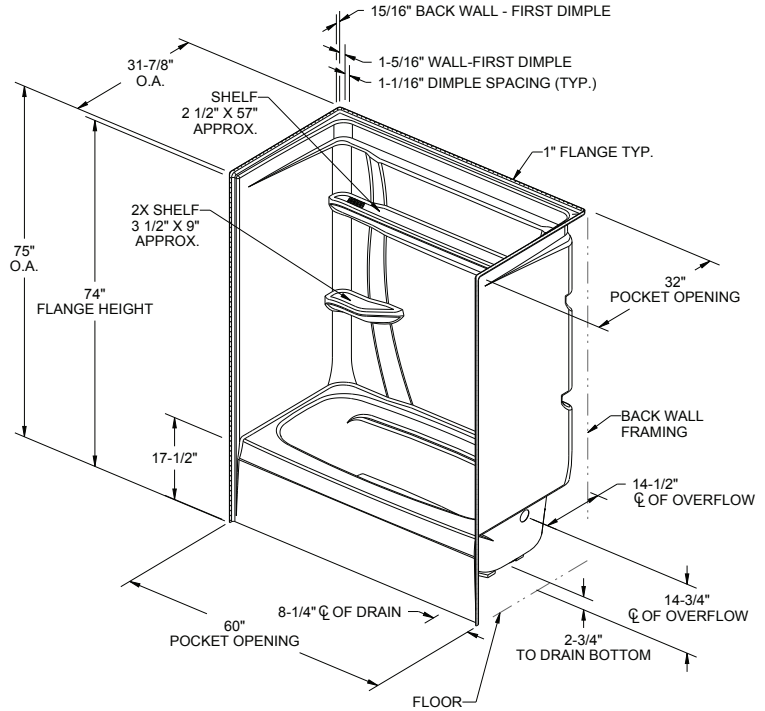
IAPMO/ANSI Z124.1.2-2005
CAN/CSA B45.5-02



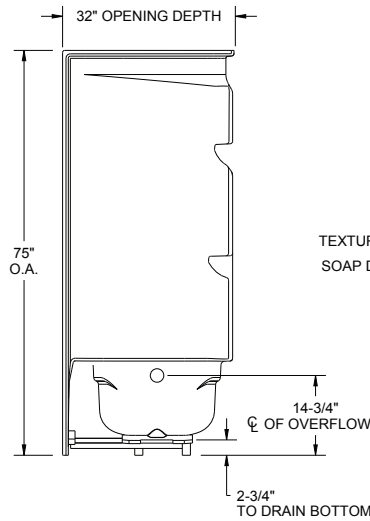
Made in U.S.A.



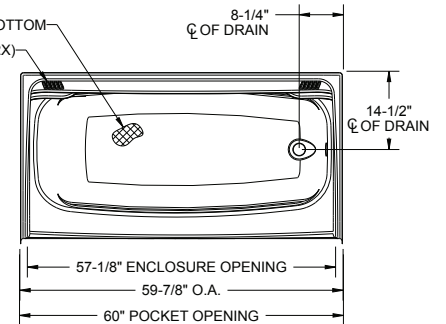
DRAIN AND STUD PLACEMENT



FRONT VIEW



RIGHT VIEW



TOP VIEW



GREENGUARD certified products meet stringent indoor air quality standards, creating healthier indoor environments. Visit greenguard.org to learn more.

Products made with Innovex™ Technology are compliant with ASTM E84-09a Class C in accordance with the NFPA and IBC classification. This test is equivalent to UL 732, ANSI/NFPA No. 255, and UBC No. 8-1.

\varnothing MARK DENOTES CENTERLINE
O.A. ABBREVIATION FOR OVERALL